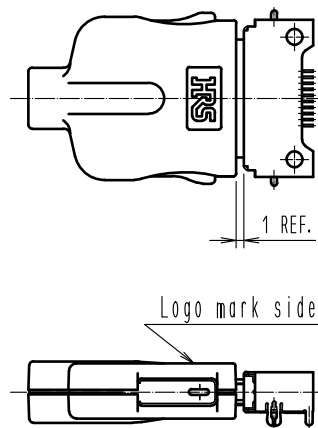
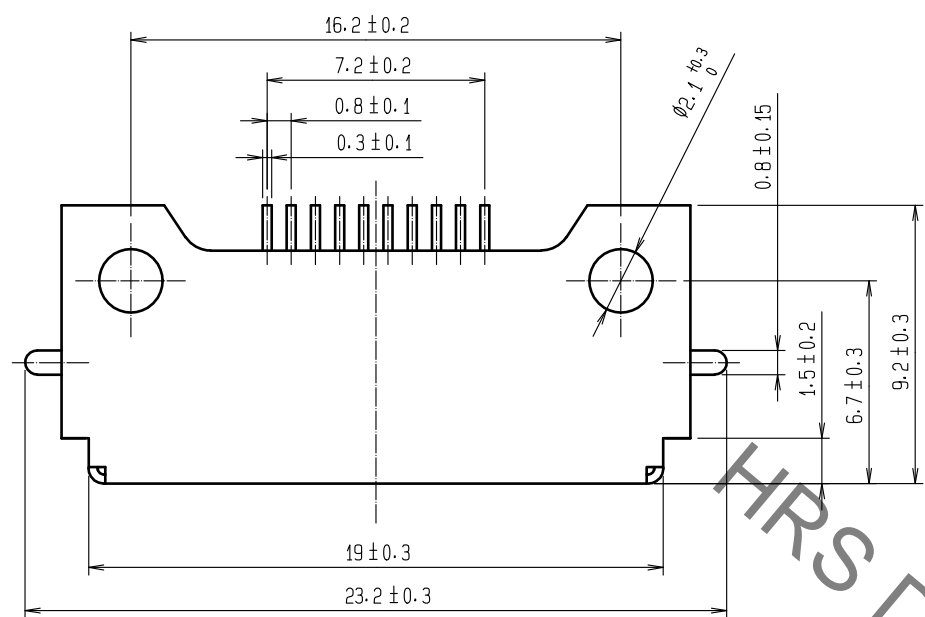
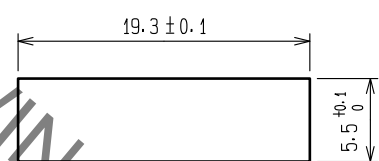


May.1.2019 Copyright 2019 HIROSE ELECTRIC CO., LTD. All Rights Reserved.
In case of consideration for using Automotive equipment / device which demand high reliability, kindly contact our sales window correspondents.

Fig-1 Drawing for mating(1:1)



Panel cutout(2:1)
(Panel thickness t=1.5 mm max)



Recommended pc board pattern
Applicable pc board t=0.8 to 1.6

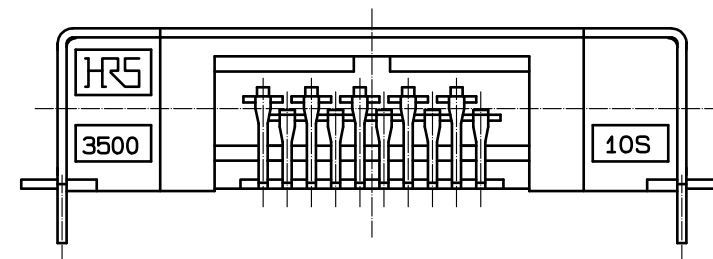
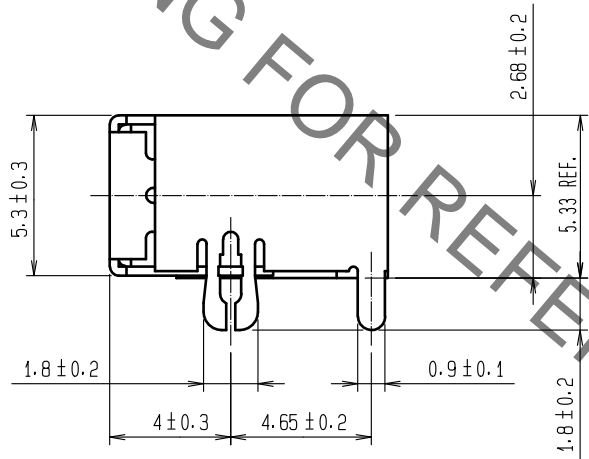
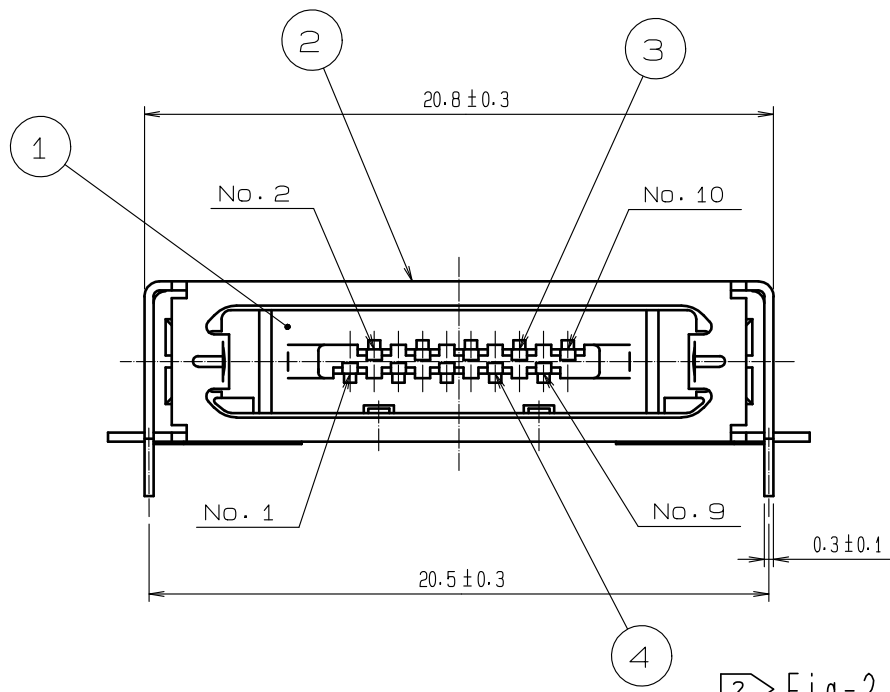
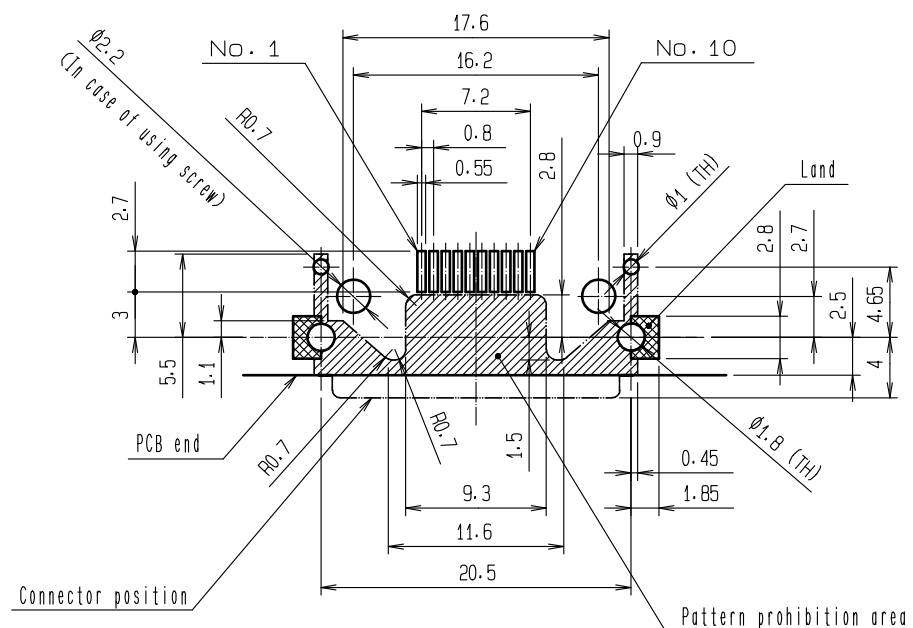
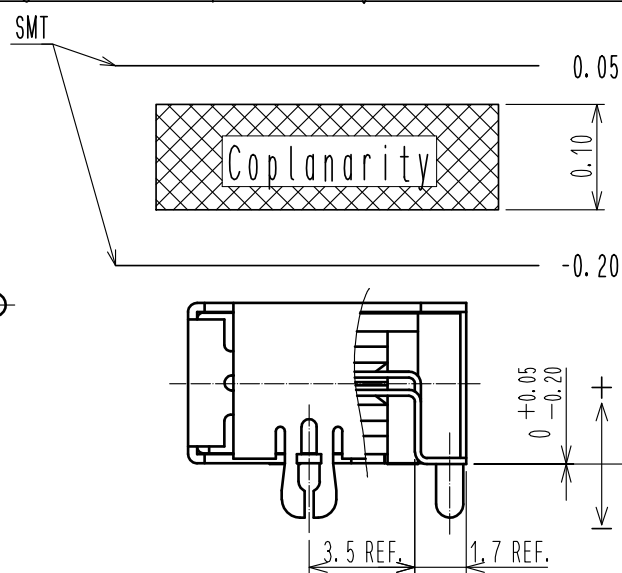


Fig-2 SMT&Coplanarity lead dimensions



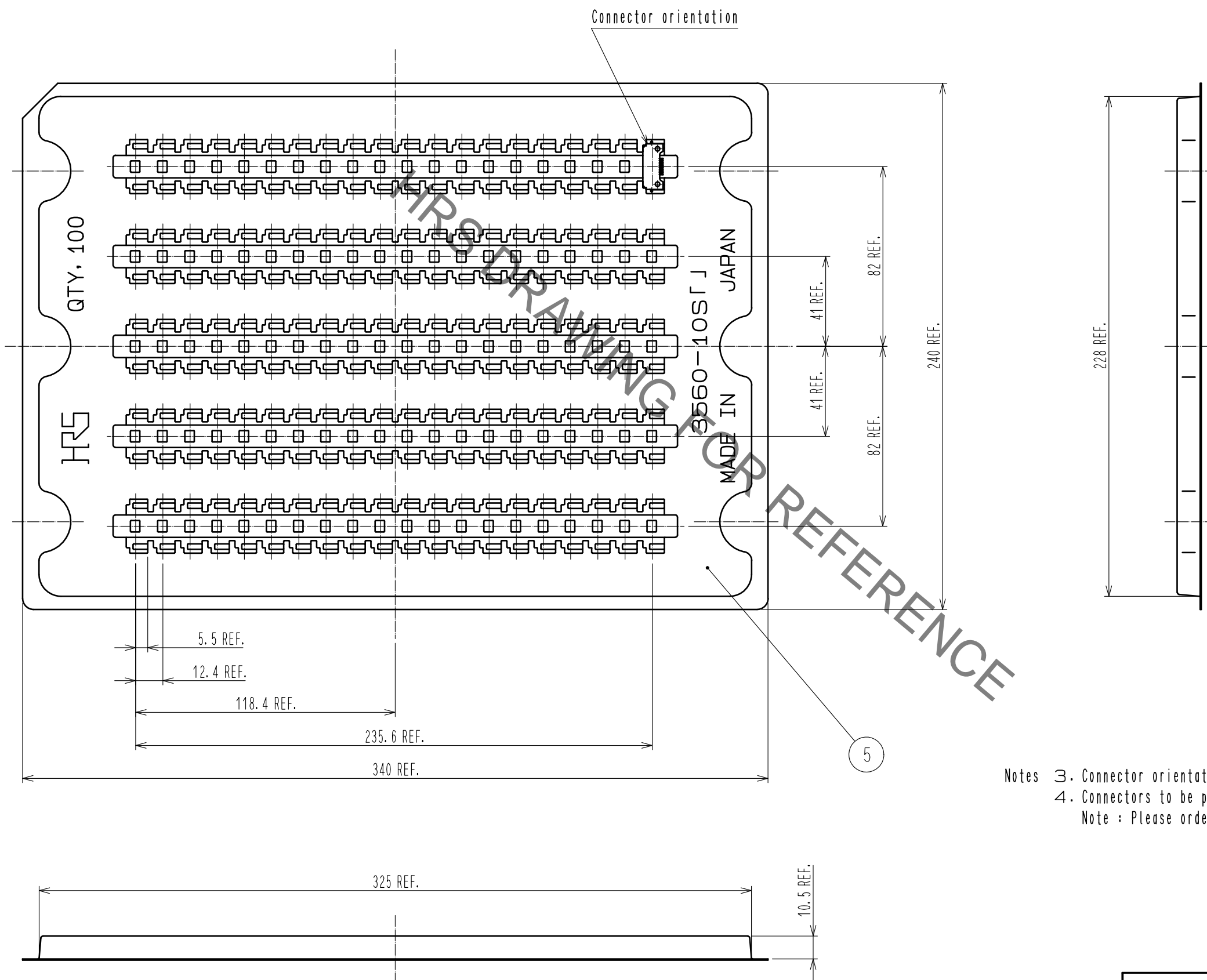
- Notes
- 1 Logo mark on plug in mated condition is as shown Fig-1.
 - 2 Smt lead dimension for contact (Ref No. ③, ④) shall be as shown in the Fig-2.

3	Copper Alloy	Contact(surface) : gold plating 0.2µm min Contact(intermediate) : palladium nickel plating 0.7µm min Lead : tin copper plating 3µm min Under : nickel plating 2µm min	4	Copper Alloy	Contact(surface) : gold plating 0.2µm min Contact(intermediate) : palladium nickel plating 0.7µm min lead : tin copper plating 3µm min under : nickel plating 2µm min
2	Stainless Steel	Over : tin reflow plating 1µm min Under : nickel plating 0.2µm min			
1	Polyamide	Black, UL94V-0			
NO.	MATERIAL	FINISH . REMARKS	NO.	MATERIAL	FINISH . REMARKS
UNITS mm		SCALE 4 : 1	COUNT 2	DESCRIPTION OF REVISIONS	
HRS HIROSE ELECTRIC CO., LTD.		DIS-E-00001654		DESIGNED TU. TANIGUCHI	CHECKED AH. KODAMA
APPROVED : NM. NISHIMATSU		17.07.22		DRAWING NO. EDC-120709-30-00	
CHECKED : NM. NISHIMATSU		17.07.22		PART NO. 3560-10S(30)	
DESIGNED : MO. SHIMOYAMA		17.07.21		CODE NO. CL235-0007-0-30	
DRAWN : AK. AKIYAMA		17.07.21		1/2	

May.1.2019 Copyright 2019 HIROSE ELECTRIC CO., LTD. All Rights Reserved.
 In case of consideration for using Automotive equipment / device which demand high reliability, kindly contact our sales window correspondents.

△ Add packing drawing

Fig-3 Tray dimension(1:2)



Notes 3. Connector orientation in tray cavities shown in Fig-3.
 4. Connectors to be packaged per tray = 100 pcs.
 Note : Please order the connector quantity.

HRS	DRAWING NO.	EDC-120709-30-00	△ 2/2
	PART NO.	3560-10S(30)	
	CODE NO.	CL235-0007-0-30	

X-ON Electronics

Largest Supplier of Electrical and Electronic Components

Click to view similar products for [I/O Connectors](#) category:

Click to view products by [Hirose](#) manufacturer:

Other Similar products are found below :

[571763P](#) [58098-0628](#) [72.250.1628.2](#) [72.250.2428.2](#) [74720-0505](#) [76.350.0729.0](#) [76871-1403](#) [FCN-244F080-G/1](#) [FCN-260A9920](#) [PCR-E36PM](#) [PCS-XE26MA+](#) [G38A71314B](#) [1571250010](#) [157-22500-3](#) [MS3471L14-19P L/C](#) [192991-0703](#) [172501-4002](#) [172501-6002](#) [FCN-260C008-A/L0](#) [FCN-260C024-AL0](#) [FCN-261Z008](#) [2000314-1](#) [200331-1](#) [PCR-E36FC+](#) [PCS-E28FS+](#) [PCS-XE26SLFD+](#) [PCS-XE26SLFDT+](#) [G730VID08BDC24](#) [U90B2054081210](#) [38113800006](#) [DP3AR020WQ1R200](#) [Z4.102.0680.0](#) [500-1040](#) [500-1052](#) [500-1054](#) [ZP-4008-66L](#) [0709821002](#) [DX40-20P\(55\)](#) [5554841-1](#) [MS3474W18-8P-LC*](#) [U90B3054061110](#) [U65-E04-4020](#) [ZPF000000000097891](#) [747360449](#) [10099439-003C-TRLF](#) [10137239-0021LF](#) [E9320-001-01](#) [10137239-0011LF](#) [70289-001LF](#) [70.060.1028.0](#)