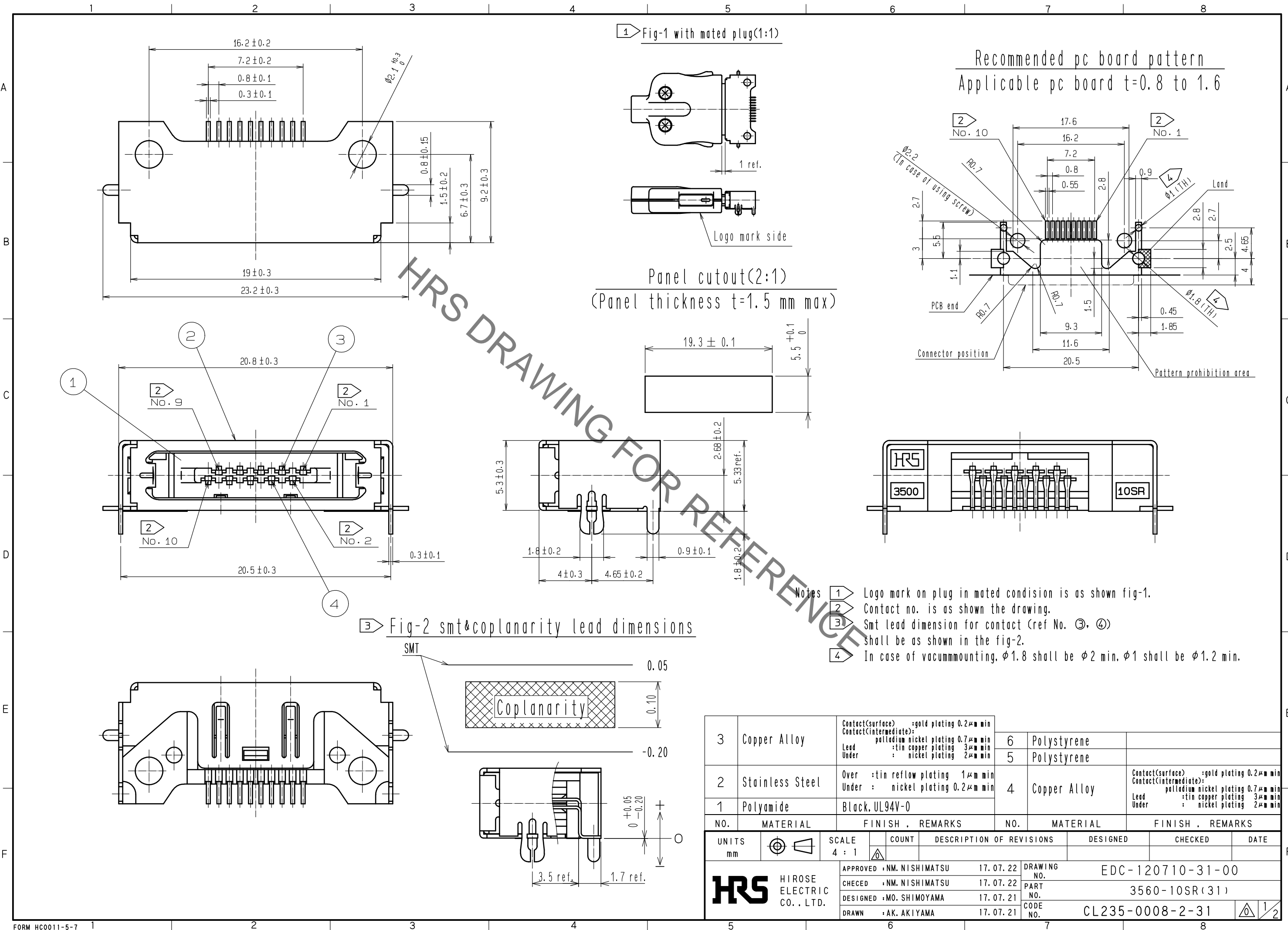


May.1.2019 Copyright 2019 HIROSE ELECTRIC CO., LTD. All Rights Reserved.
In case of consideration for using Automotive equipment / device which demand high reliability, kindly contact our sales window correspondents.



1 Fig-1 with mated plug(1:1)

Recommended pc board pattern
Applicable pc board t=0.8 to 1.6

Panel cutout(2:1)
(Panel thickness t=1.5 mm max)

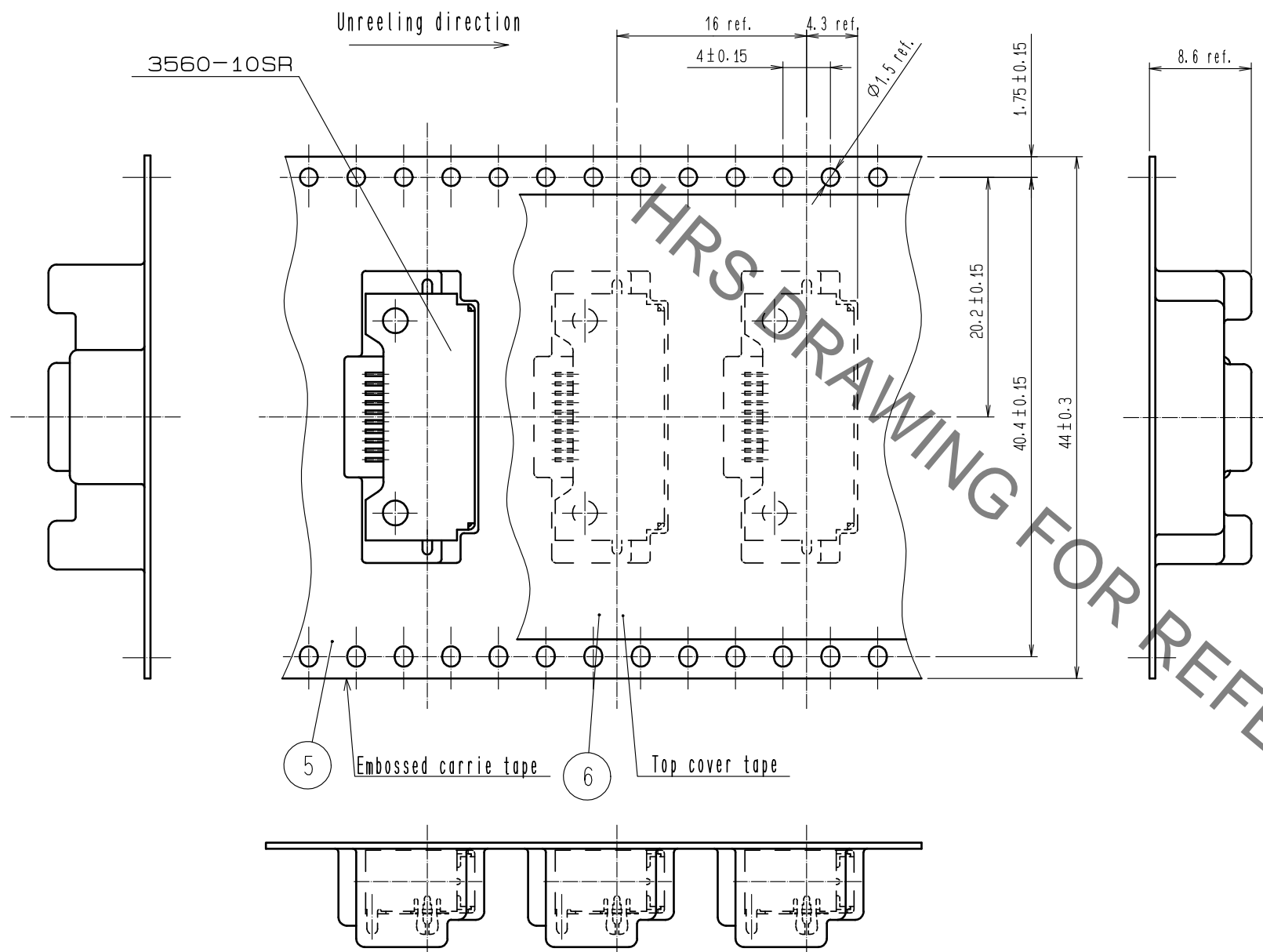
3 Fig-2 smt&coplanarity lead dimensions

- Notes
- 1 Logo mark on plug in mated condition is as shown fig-1.
 - 2 Contact no. is as shown the drawing.
 - 3 Smt lead dimension for contact (ref No. ③, ④) shall be as shown in the fig-2.
 - 4 In case of vacuummounting, $\phi 1.8$ shall be $\phi 2$ min, $\phi 1$ shall be $\phi 1.2$ min.

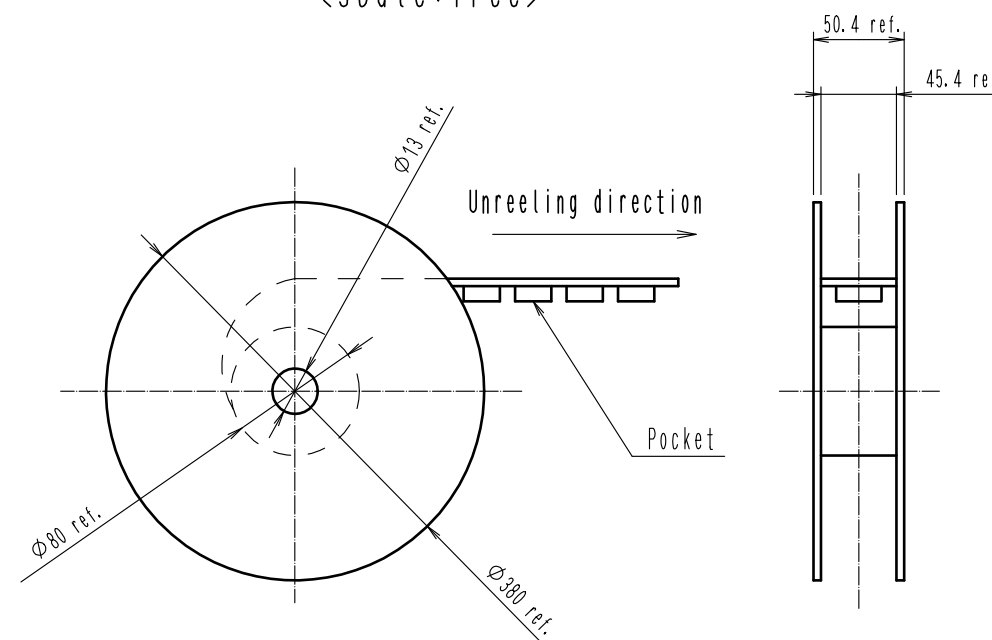
3	Copper Alloy	Contact(surface) : gold plating 0.2 μ m min Contact(intermediate): palladium nickel plating 0.7 μ m min Lead : tin copper plating 3 μ m min Under : nickel plating 2 μ m min	6	Polystyrene	
2	Stainless Steel	Over : tin reflow plating 1 μ m min Under : nickel plating 0.2 μ m min	5	Polystyrene	
1	Polyamide	Black, UL94V-0	4	Copper Alloy	Contact(surface) : gold plating 0.2 μ m min Contact(intermediate): palladium nickel plating 0.7 μ m min Lead : tin copper plating 3 μ m min Under : nickel plating 2 μ m min
NO.	MATERIAL	FINISH . REMARKS	NO.	MATERIAL	FINISH . REMARKS
UNITS mm		SCALE 4 : 1	COUNT	DESCRIPTION OF REVISIONS	
DESIGNED		CHECKED		DATE	
APPROVED : NM. NISHIMATSU		17.07.22		DRAWING NO. EDC-120710-31-00	
CHECED : NM. NISHIMATSU		17.07.22		PART NO. 3560-10SR(31)	
DESIGNED : MO. SHIMOYAMA		17.07.21		CODE NO. CL235-0008-2-31	
DRAWN : AK. AKIYAMA		17.07.21		1/2	

May.1.2019 Copyright 2019 HIROSE ELECTRIC CO., LTD. All Rights Reserved.
 In case of consideration for using Automotive equipment / device which demand high reliability, kindly contact our sales window correspondents.

4 Fig-3 tape and reel condition(2:1)



5 Fig-4 Packaged connector condition (scale:free)



- Notes
- 4 Connector storage status shall be as shown in fig-3.
 - 5 Packaged condition shall be as shown in fig-4 and number of connector storage per reel:500 pcs.

HRS	DRAWING NO.	EDC-120710-31-00	2/2
	PART NO.	3560-10SR(31)	
	CODE NO.	CL235-0008-2-31	

X-ON Electronics

Largest Supplier of Electrical and Electronic Components

Click to view similar products for [I/O Connectors](#) category:

Click to view products by [Hirose](#) manufacturer:

Other Similar products are found below :

[571763P](#) [58098-0628](#) [72.250.1628.2](#) [72.250.2428.2](#) [74720-0505](#) [76.350.0729.0](#) [76871-1403](#) [FCN-244F080-G/1](#) [FCN-260A9920](#) [MP-5T180MUNNA-005](#) [PCR-E36PM](#) [PCS-XE26MA+](#) [G38A71314B](#) [1571250010](#) [157-22500-3](#) [MS3471L14-19P L/C](#) [192991-0703](#) [172501-4002](#) [172501-6002](#) [FCN-260C008-A/L0](#) [FCN-260C024-AL0](#) [FCN-261Z008](#) [2000314-1](#) [200331-1](#) [PCR-E36FC+](#) [PCS-E28FS+](#) [PCS-XE26SLFD+](#) [PCS-XE26SLFDT+](#) [G730VID08BDC24](#) [HDR-E14MSG1+](#) [U90B2054081210](#) [UE86K842720321](#) [38113800006](#)
[DP3AR020WQ1R200](#) [Z4.102.0680.0](#) [500-1040](#) [500-1052](#) [500-1054](#) [ZP-4008-66L](#) [0709821002](#) [DX40-20P\(55\)](#) [5554841-1](#) [MS3474W18-8P-LC*](#) [SM3106F14S-7S-LC](#) [U90B3054061110](#) [U65-E04-4020](#) [ZPF000000000097891](#) [557-262M2-06C](#) [747360449](#) [10099439-003C-TRLF](#)