

COUNT	DESCRIPTION OF REVISIONS	BY	CHKD	DATE	COUNT	DESCRIPTION OF REVISIONS	BY	CHKD	DATE

FIG.1 RECOMMENDED PCB PATTERN

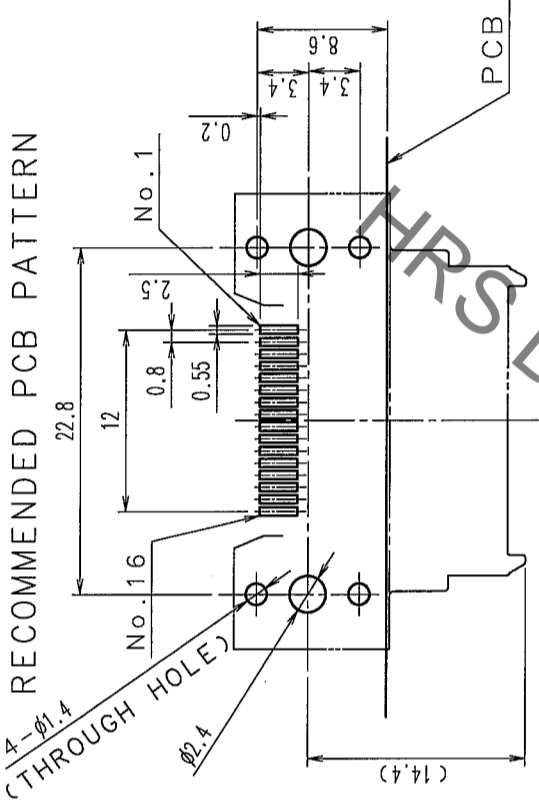
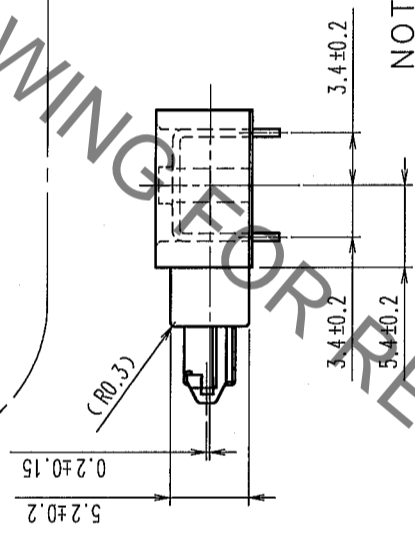
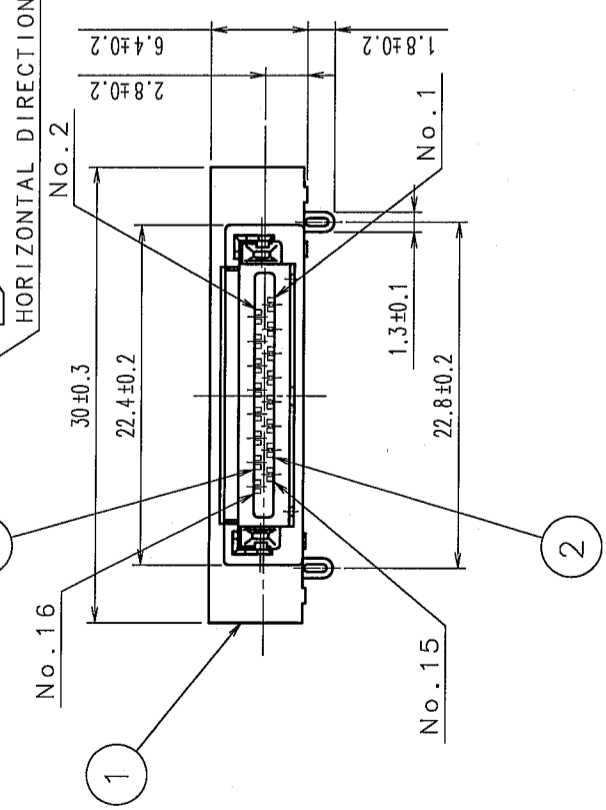
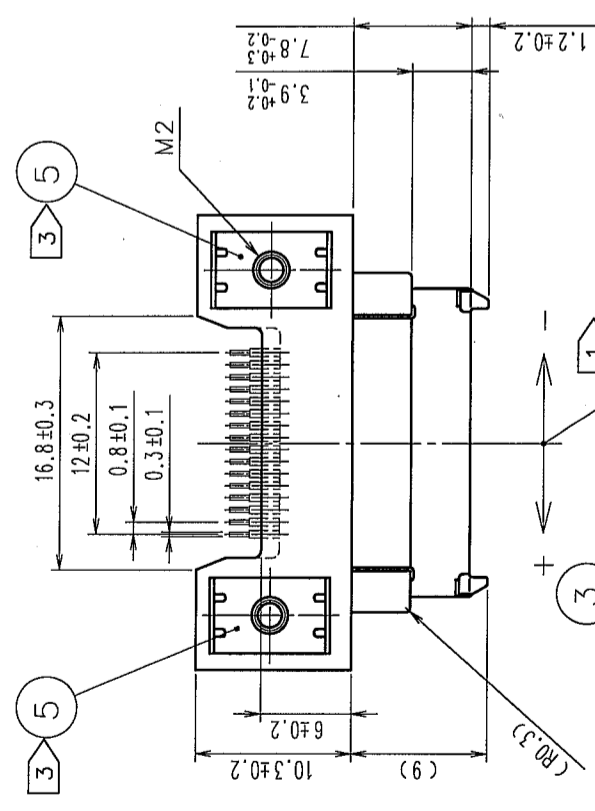
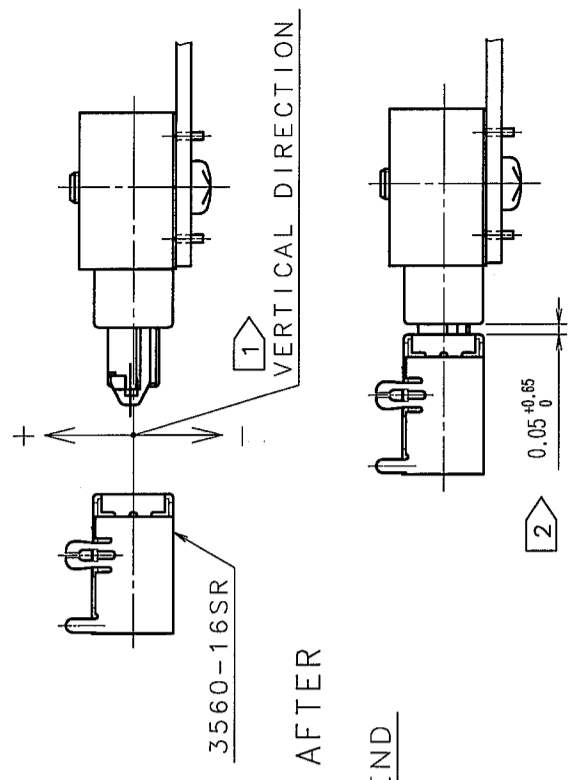
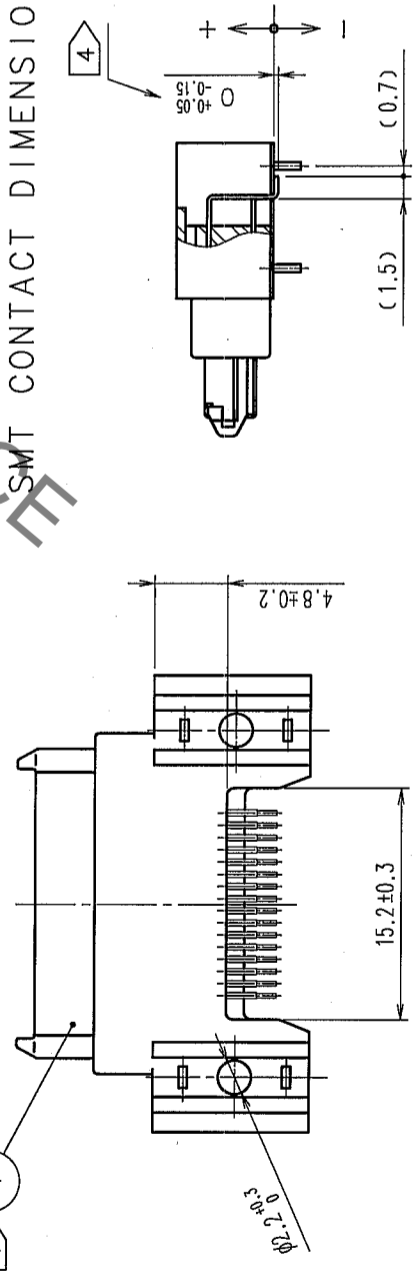


FIG.2: BEFORE AND AFTER MATING



NOTE 1 FLOATING DISTANCE IN HORIZONTAL AND VERTICAL DIRECTIONS IS ±0.7. (APPLICABLE CONNECTOR: 3560-16S OR 3560-16SR)  
 2 GAP BETWEEN MATED PLUG AND RECEPTACLE TO BE 0.05<sup>+0.05</sup><sub>0</sub>.  
 3 REFERENCE NO.4 AND 5 ARE CONNECTED INSIDE THE CONNECTOR. (GROUND IS TO BE CONNECTED TO PCB BY REFERENCE NO.5).  
 4 SMT DIMENSION OF CONTACTS (REFERENCE NO.2 AND 3) SHOWN IN FIG.3.

FIG.3 SMT CONTACT DIMENSION



NO.	MATERIAL	FINISH, REMARKS	NO.	MATERIAL	FINISH, REMARKS
3	COPPEY ALLOY	SELECTIVE GOLD PLATING + SELECTIVE TIN COPPER PLATING	6	PVC	
2	COPPEY ALLOY	SELECTIVE GOLD PLATING + SELECTIVE TIN COPPER PLATING	5	COPPEY ALLOY	TIN PLATING
1	POLYAMIDE	BLACK UL94V-0	4	STAINLESS STEEL	

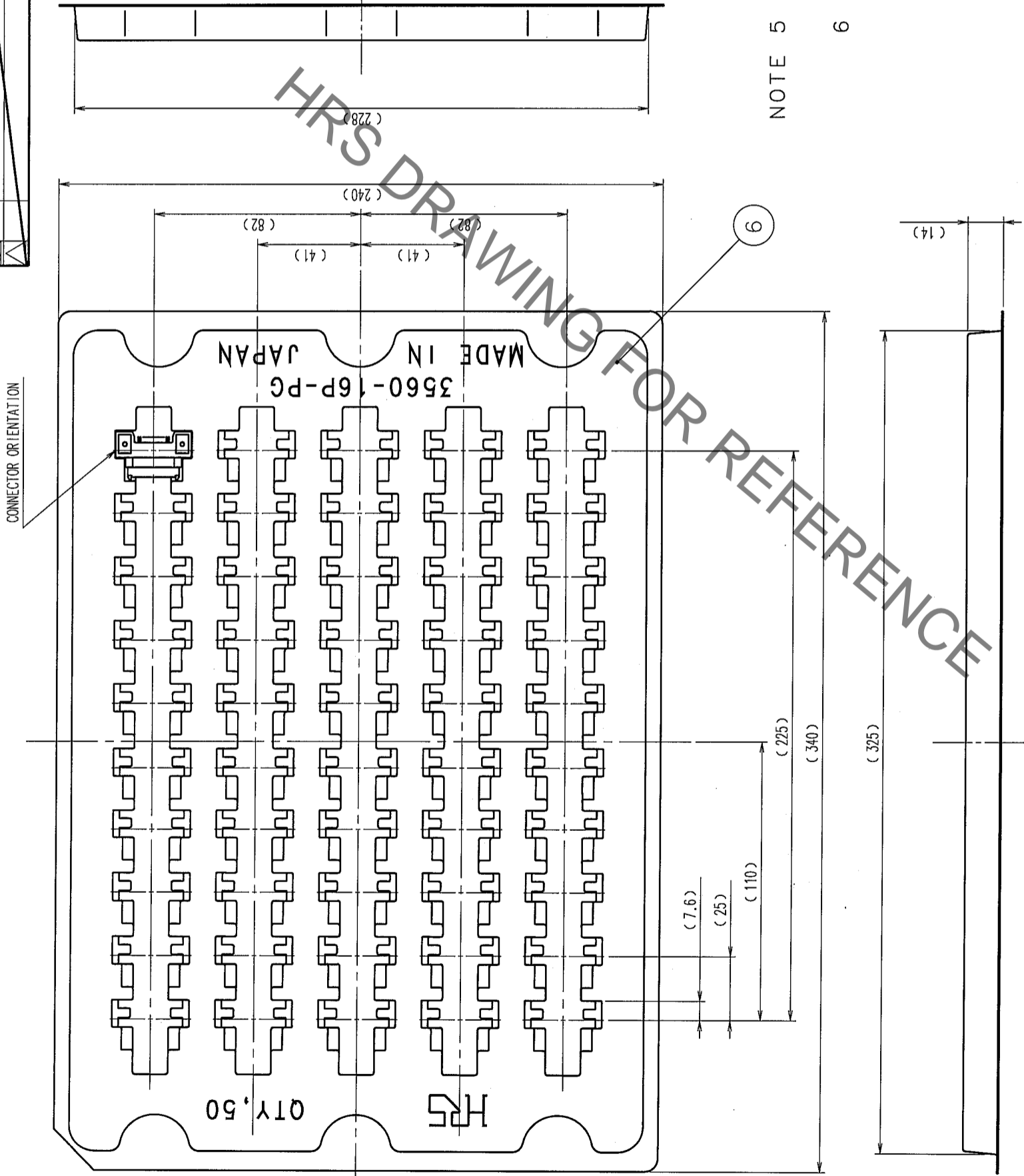
  

CODE NO. (COLD)	DRAWN	DESIGNED	CHECKED	APPROVED	RELEASED
	Y. Sato	T. Yamaguchi	Y. Enami	H. Murai	
	05.10.13	05.10.13	05.10.13	05.10.13	

DRAWING NO.	EDC3-120892-02	PART NO.	3560-16P-PG(50)
SCALE	2:1	CODE NO.	CL235-0016-0-50
UNITS	mm		

TO	Q1		
----	----	--	--

FIG-4. TRAY DIMENSION



HRS DRAWING FOR REFERENCE

DESCRIPTION OF REVISIONS		BY	CHKD	DATE	COUNT	DESCRIPTION OF REVISIONS	BY	CHKD	DATE
△					1				
△					2				
△					3				

TO	
Q1	

NO.	MATERIAL	FINISH, REMARKS	NO.	MATERIAL	FINISH, REMARKS
	PACKAGING SPECIFICATION				
DRAWING NO.		PART NO.		FINISH, REMARKS	
EDC3-120892-02		3560-16P-PG(50)		APPROVED	
SCALE		CODE NO.		RELEASED	
2 : 1		CL235-0016-0-50		X. Mura	
UNITS		HIRESE ELECTRIC CO., LTD			
JTTT					

## X-ON Electronics

Largest Supplier of Electrical and Electronic Components

*Click to view similar products for [I/O Connectors](#) category:*

*Click to view products by [Hirose](#) manufacturer:*

Other Similar products are found below :

[571763P](#) [58098-0628](#) [72.250.1628.2](#) [72.250.2428.2](#) [74720-0505](#) [76.350.0729.0](#) [76871-1403](#) [FCN-244F080-G/1](#) [FCN-260A9920](#) [PCR-E36PM](#) [PCS-XE26MA+](#) [G38A71314B](#) [1571250010](#) [157-22500-3](#) [MS3471L14-19P L/C](#) [192991-0703](#) [172501-4002](#) [172501-6002](#) [FCN-260C008-A/L0](#) [FCN-260C024-AL0](#) [FCN-261Z008](#) [2000314-1](#) [200331-1](#) [PCR-E36FC+](#) [PCS-E28FS+](#) [PCS-XE26SLFD+](#) [PCS-XE26SLFDT+](#) [G730VID08BDC24](#) [U90B2054081210](#) [UE86K842720321](#) [38113800006](#) [DP3AR020WQ1R200](#) [Z4.102.0680.0](#) [500-1040](#) [500-1052](#) [500-1054](#) [ZP-4008-66L](#) [0709821002](#) [DX40-20P\(55\)](#) [5554841-1](#) [MS3474W18-8P-LC\\*](#) [SM3106F14S-7S-LC](#) [U90B3054061110](#) [U65-E04-4020](#) [ZPF000000000097891](#) [557-262M2-06C](#) [747360449](#) [10099439-003C-TRLF](#) [10137239-0021LF](#) [E9320-001-01](#)