

May.1.2019 Copyright 2019 HIROSE ELECTRIC CO., LTD. All Rights Reserved.
In case of consideration for using Automotive equipment / device which demand high reliability, kindly contact our sales window correspondents.

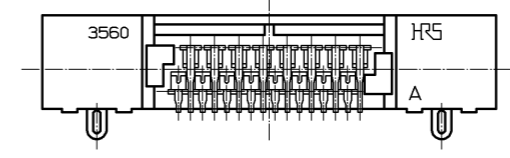
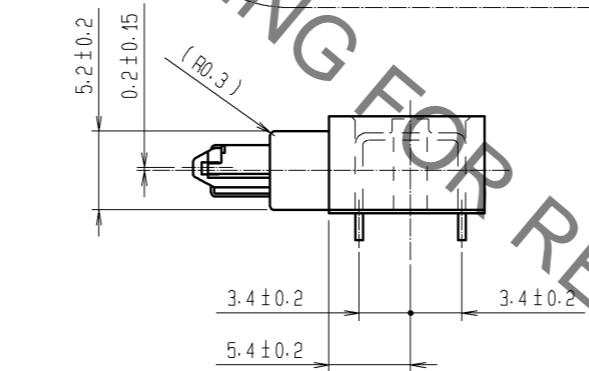
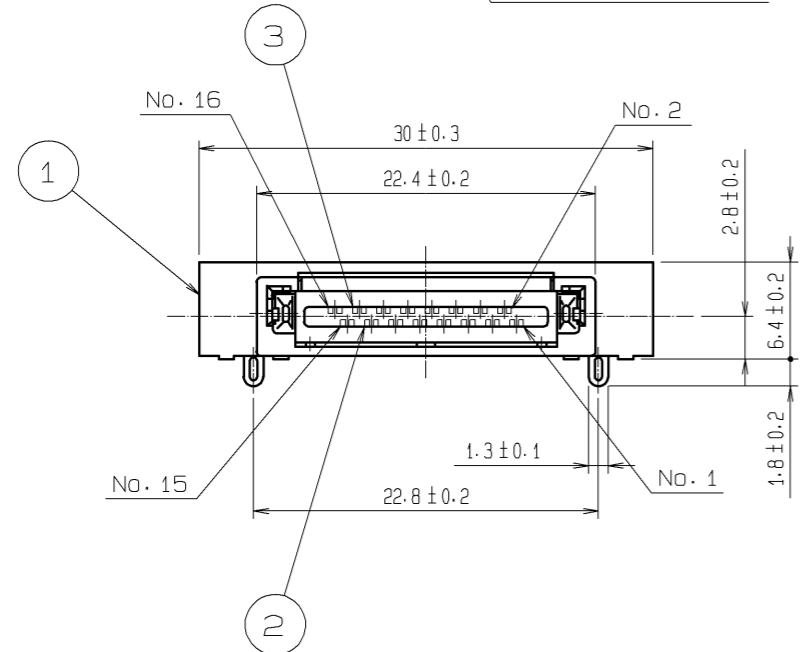
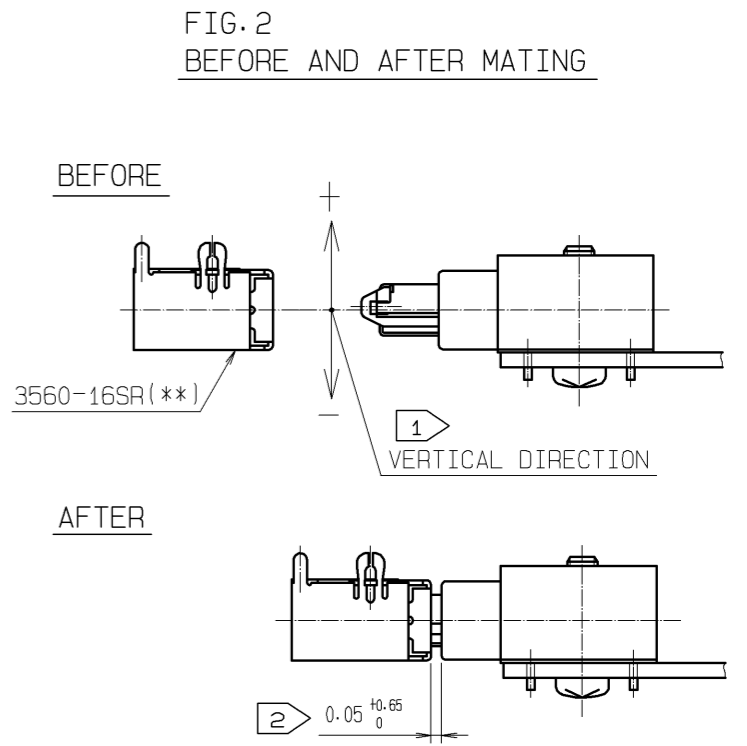
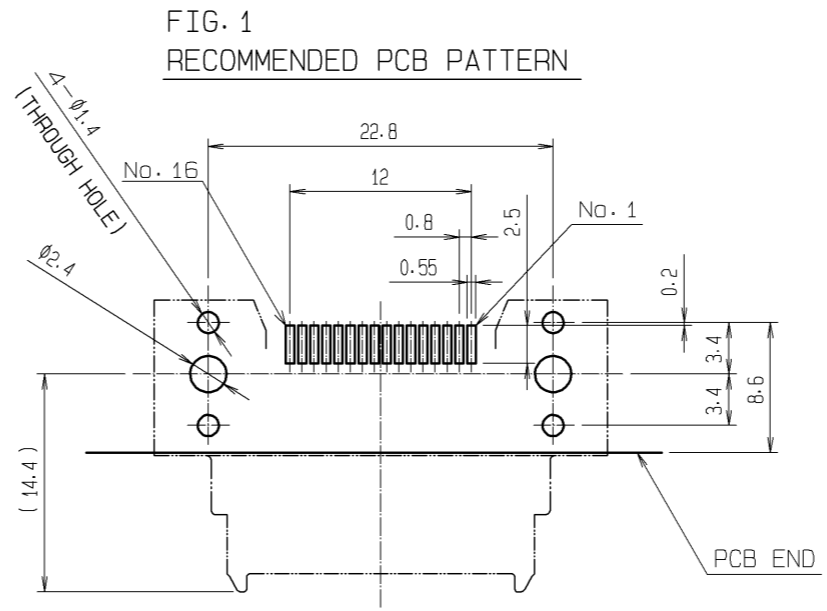
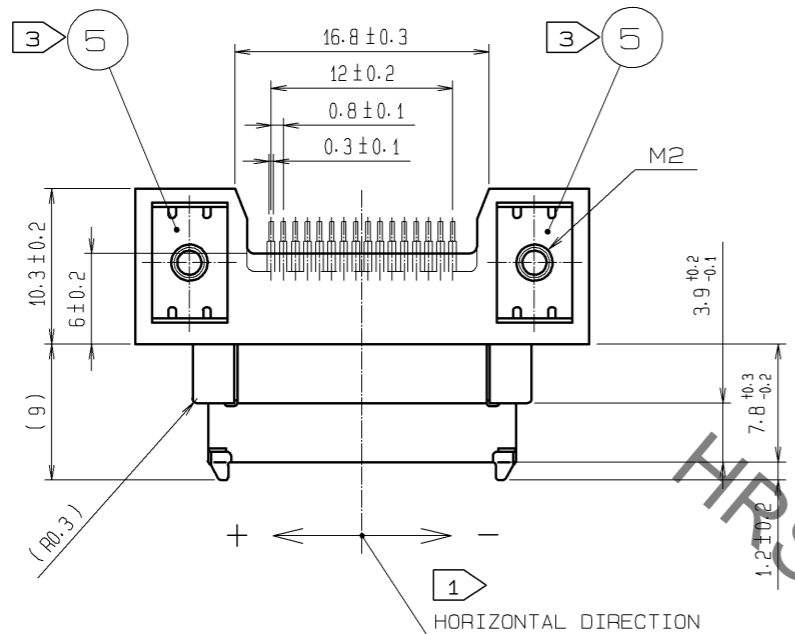
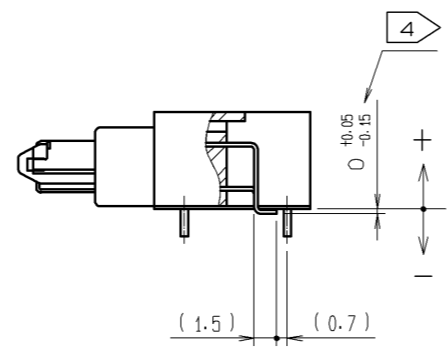


FIG. 3
SMT CONTACT DIMENSION

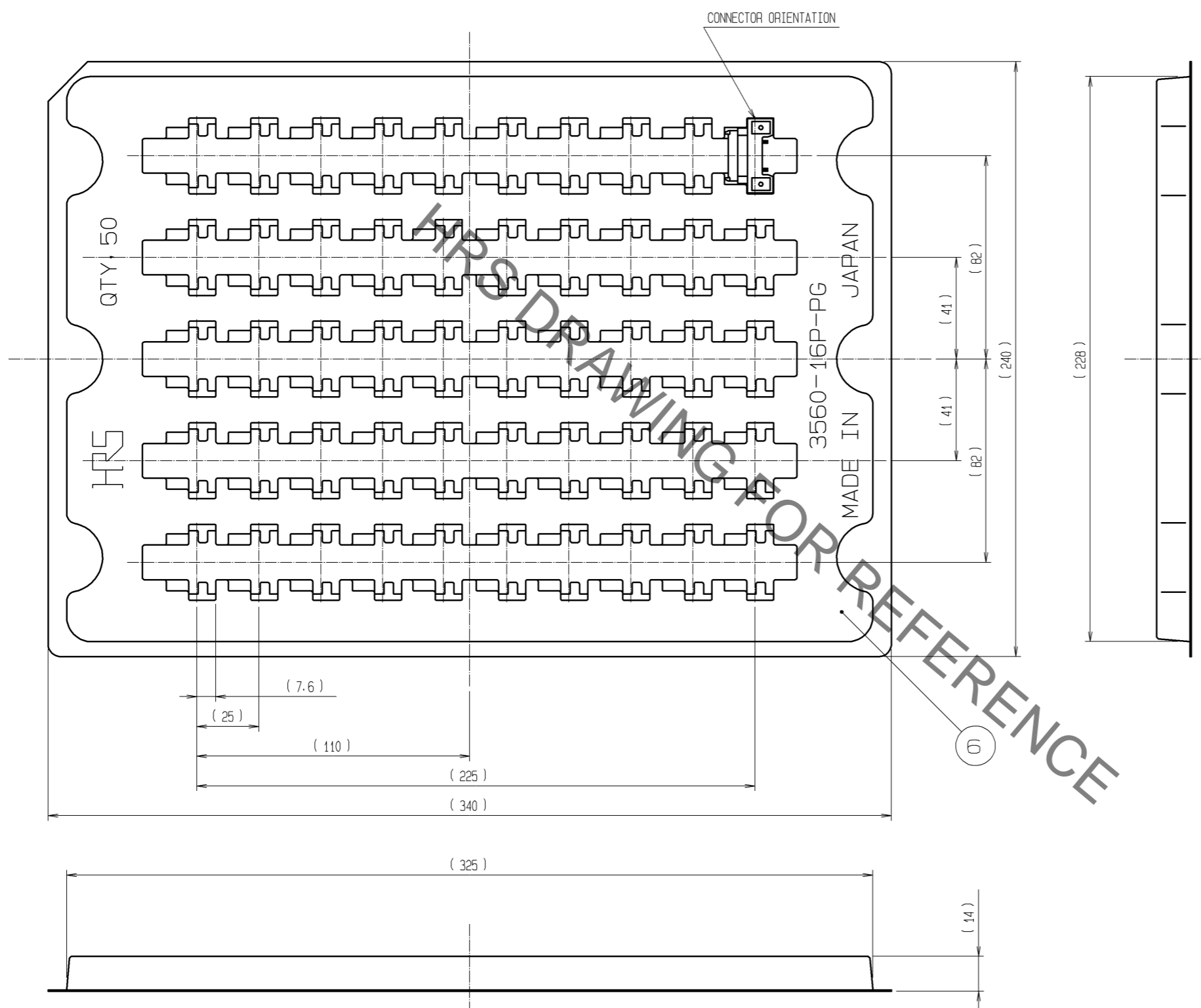


NOTE ① FLOATING DISTANCE IN HORIZONTAL AND VERTICAL DIRECTIONS IS ± 0.7 . (APPLICABLE CONNECTOR: 3560-16S(**) OR 3560-16SR(**))
 ② GAP BETWEEN MATED PLUG AND RECEPTACLE TO BE $0.05^{+0.05}_0$.
 ③ REFERENCE NO.④ AND ⑤ ARE CONNECTED INSIDE THE CONNECTOR. (GROUND IS TO BE CONNECTED TO PCB BY REFERENCE NO.⑤).
 ④ SMT DIMENSION OF CONTACTS (REFERENCE NO.② AND ③) SHOWN IN FIG. 3.

3	COPPER ALLOY	CONTACT AREA GOLD PLATING 0.76 μ m	6	PVC				
2		LEAD AREA GOLD PLATING 0.03 μ m	5	COPPER ALLOY				
1	POLYAMIDE	UNDER PLATING NICKEL PLATING 1.27 μ m	4	TIN PLATING 1 μ m				
		(BLACK) UL94V-0						
NO.	MATERIAL	FINISH . REMARKS	NO.	MATERIAL	FINISH . REMARKS			
UNITS	mm	SCALE	2 : 1	COUNT	DESCRIPTION OF REVISIONS	DESIGNED	CHECKED	DATE
APPROVED : SR. KIKUTA		07.06.05		DRAWING NO.		EDC3-120892-04		
CHECED : SJ. SHIMIZU		07.06.05		PART NO.		3560-16P-PG(57)		
DESIGNED : TS. ITO		07.06.05		CODE NO.		CL235-0016-0-57		
DRAWN : TS. ITO		07.06.05						

May.1.2019 Copyright 2019 HIROSE ELECTRIC CO., LTD. All Rights Reserved.
 In case of consideration for using Automotive equipment / device which demand high reliability, kindly contact our sales window correspondents.

FIG. 4 TRAY DIMENSION



NOTE 5 CONNECTOR ORIENTATION IN TRAY CAVITIES SHOWN IN FIG. 4.

6 CONNECTORS TO BE PACKAGED
 PER TRAY = 50 PCS.
 NOTE: PLEASE ORDER THE
 CONNECTOR QUANTITY.

HRS	DRAWING NO.	EDC3-120892-04
	PART NO.	3560-16P-PG(57)
	CODE NO.	CL235-0016-0-57
		△ 2/2

X-ON Electronics

Largest Supplier of Electrical and Electronic Components

Click to view similar products for [I/O Connectors](#) category:

Click to view products by [Hirose](#) manufacturer:

Other Similar products are found below :

[571763P](#) [58098-0628](#) [72.250.1628.2](#) [72.250.2428.2](#) [74720-0505](#) [76.350.0729.0](#) [76871-1403](#) [FCN-244F080-G/1](#) [FCN-260A9920](#) [PCR-E36PM](#) [PCS-XE26MA+](#) [G38A71314B](#) [1571250010](#) [157-22500-3](#) [MS3471L14-19P L/C](#) [192991-0703](#) [172501-4002](#) [172501-6002](#) [FCN-260C008-A/L0](#) [FCN-260C024-AL0](#) [FCN-261Z008](#) [2000314-1](#) [200331-1](#) [PCR-E36FC+](#) [PCS-E28FS+](#) [PCS-XE26SLFD+](#) [PCS-XE26SLFDT+](#) [G730VID08BDC24](#) [U90B2054081210](#) [UE86K842720321](#) [38113800006](#) [DP3AR020WQ1R200](#) [Z4.102.0680.0](#) [500-1040](#) [500-1052](#) [500-1054](#) [ZP-4008-66L](#) [0709821002](#) [DX40-20P\(55\)](#) [5554841-1](#) [MS3474W18-8P-LC*](#) [SM3106F14S-7S-LC](#) [U90B3054061110](#) [U65-E04-4020](#) [ZPF000000000097891](#) [557-262M2-06C](#) [747360449](#) [10099439-003C-TRLF](#) [10137239-0021LF](#) [E9320-001-01](#)