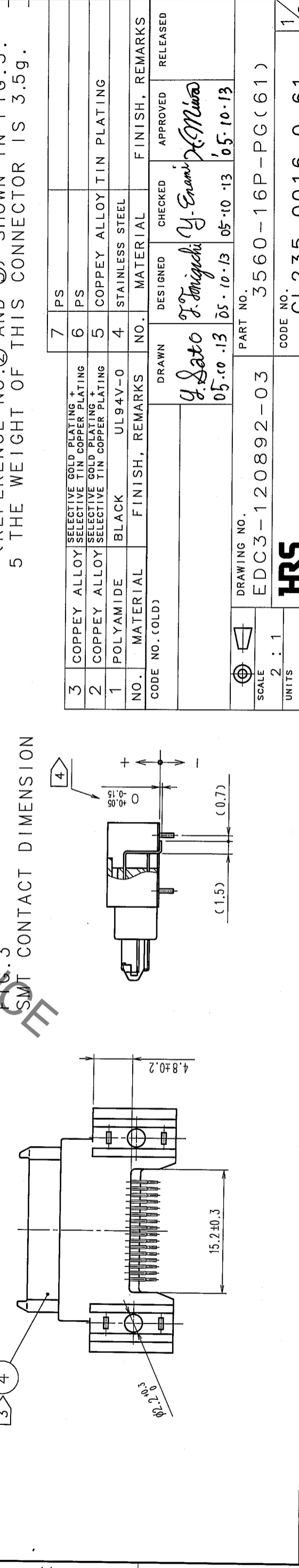
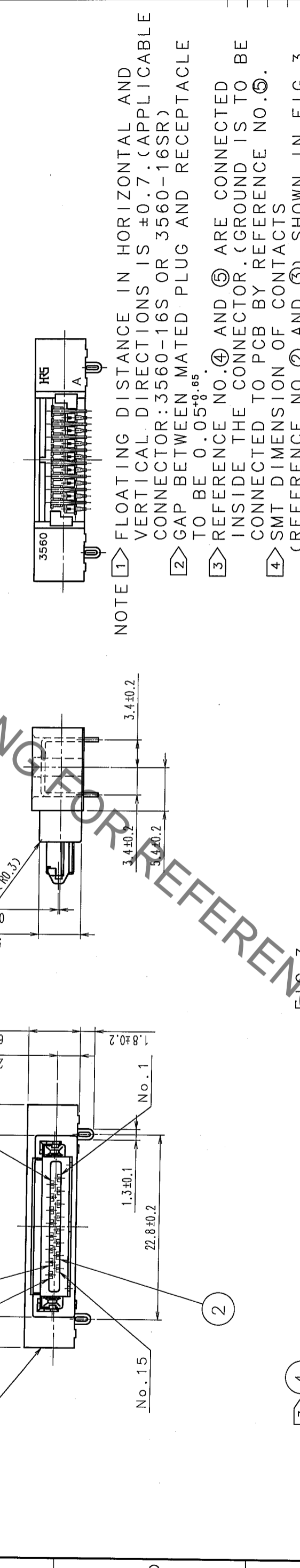
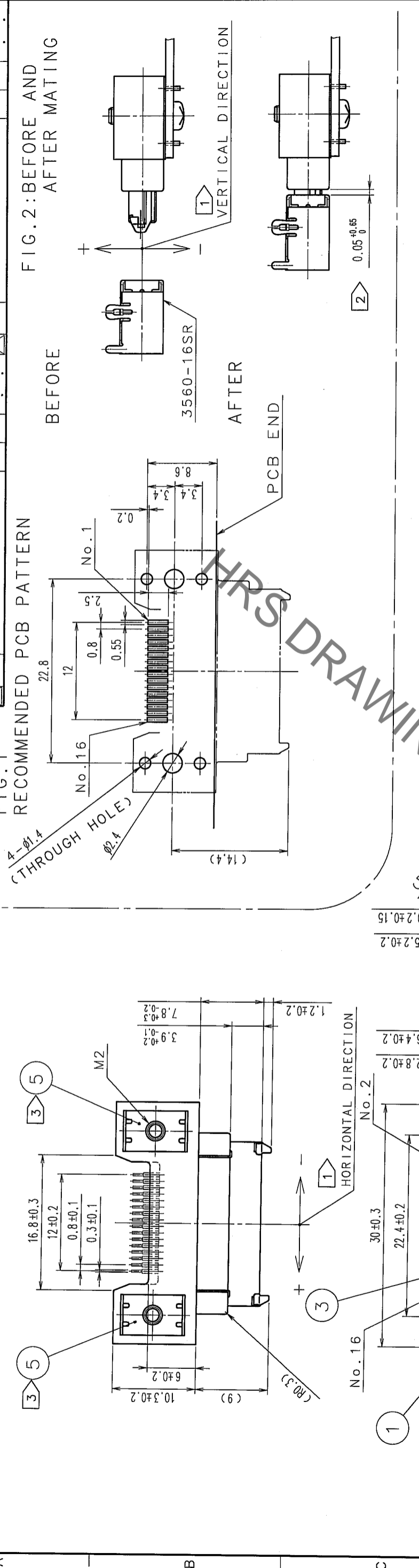


COUNT	DESCRIPTION OF REVISIONS	BY	CHKD	DATE	COUNT	DESCRIPTION OF REVISIONS	BY	CHKD	DATE



NOTE ① FLOATING DISTANCE IN HORIZONTAL AND VERTICAL DIRECTIONS IS ±0.7. (APPLICABLE CONNECTOR: 3560-16S OR 3560-16SR)
 ② GAP BETWEEN MATED PLUG AND RECEPTACLE TO BE 0.05^{+0.05}₀.
 ③ REFERENCE NO. ④ AND ⑤ ARE CONNECTED INSIDE THE CONNECTOR. (GROUND IS TO BE CONNECTED TO PCB BY REFERENCE NO. ⑤).
 ④ SMT DIMENSION OF CONTACTS (REFERENCE NO. ② AND ③) SHOWN IN FIG. 3.
 ⑤ THE WEIGHT OF THIS CONNECTOR IS 3.5g.

NO.	MATERIAL	FINISH, REMARKS	NO.	MATERIAL	FINISH, REMARKS
3	COPPEY ALLOY	SELECTIVE GOLD PLATING + SELECTIVE TIN COPPER PLATING	7	PS	
2	COPPEY ALLOY	SELECTIVE GOLD PLATING + SELECTIVE TIN COPPER PLATING	6	PS	
1	POLYAMIDE	BLACK UL94V-0	5	COPPEY ALLOY	TIN PLATING
NO.	MATERIAL	FINISH, REMARKS	NO.	MATERIAL	FINISH, REMARKS
			4	STAINLESS STEEL	

DESIGNED	CHECKED	APPROVED	RELEASED
Y. Sato	T. Taniguchi	Y. Enami	K. Mura
05.10.13	05.10.13	05.10.13	05.10.13

DRAWING NO.	PART NO.	CODE NO.
EDC3-120892-03	3560-16P-PG(61)	CL235-0016-0-61
SCALE 2:1		
UNITS mm		

FIG. 4: TAPED CONNECTOR

UNREELING DIRECTION

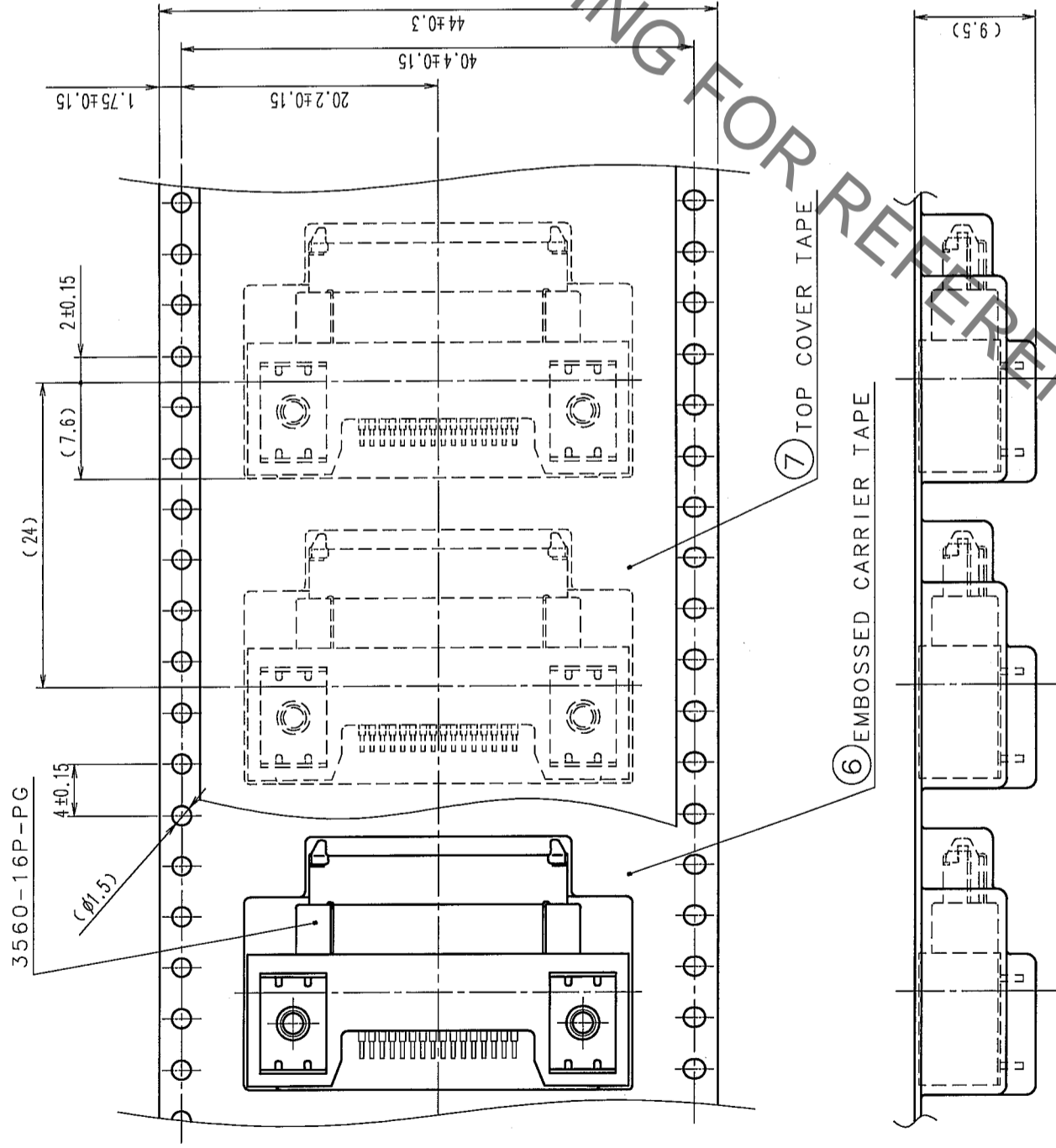
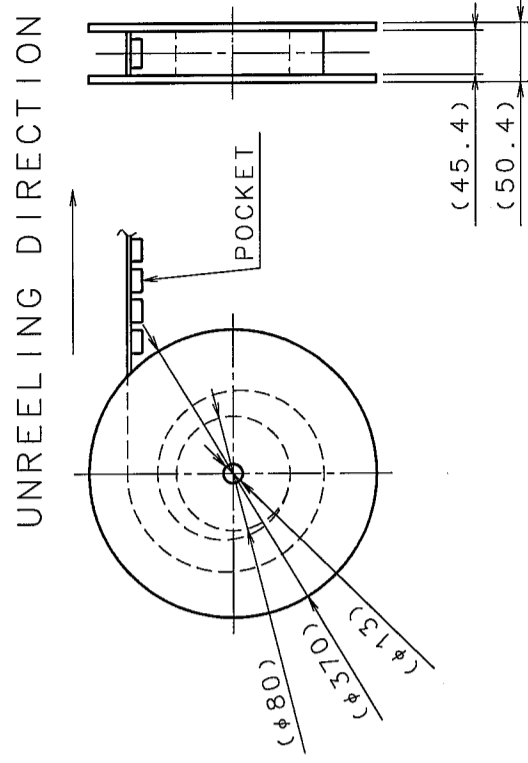


FIG. 5: STYLE AND DIMENSION OF WUNDED REEL (Free)



NOTE 6 TAEPD CONNECTOR IS AS SHOWN IN FIG. 4.
 7 STYLE AND DIMENSION OF WUNDED REEL IS AS SHOWN IN FIG. 5.
 PERREEL: 350 CONNECTORS.

COUNT DESCRIPTION OF REVISIONS	BY	CHKD	DATE	COUNT DESCRIPTION OF REVISIONS	BY	CHKD	DATE

NO.	MATERIAL	FINISH, REMARKS	NO.	MATERIAL	FINISH, REMARKS

PACKAGING SPECIFICATION	DRAWN	DESIGNED	CHECKED	APPROVED	RELEASED
	Y. Sato	T. Yamaguchi	Y. Enami	X. Minato	
	05.10.13	05.10.13	05.10.13	05.10.13	

DRAWING NO.	PART NO.
EDC3-120892-03	3560-16P-PG(61)
SCALE	
2 : 1	
UNITS	
mm	
	CODE NO.
	CL235-0016-0-61

TO	
Q1	

X-ON Electronics

Largest Supplier of Electrical and Electronic Components

Click to view similar products for [I/O Connectors](#) category:

Click to view products by [Hirose](#) manufacturer:

Other Similar products are found below :

[571763P](#) [58098-0628](#) [72.250.1628.2](#) [72.250.2428.2](#) [74720-0505](#) [76.350.0729.0](#) [76871-1403](#) [FCN-244F080-G/1](#) [FCN-260A9920](#) [MP-5T180MUNNA-005](#) [PCR-E36PM](#) [PCS-XE26MA+](#) [G38A71314B](#) [1571250010](#) [157-22500-3](#) [MS3471L14-19P L/C](#) [192991-0703](#) [172501-4002](#) [172501-6002](#) [FCN-260C008-A/L0](#) [FCN-260C024-AL0](#) [FCN-261Z008](#) [2000314-1](#) [200331-1](#) [PCR-E36FC+](#) [PCS-E28FS+](#) [PCS-XE26SLFD+](#) [PCS-XE26SLFDT+](#) [G730VID08BDC24](#) [HDR-E14MSG1+](#) [U90B2054081210](#) [UE86K842720321](#) [38113800006](#)
[DP3AR020WQ1R200](#) [Z4.102.0680.0](#) [500-1040](#) [500-1052](#) [500-1054](#) [ZP-4008-66L](#) [0709821002](#) [DX40-20P\(55\)](#) [5554841-1](#) [MS3474W18-8P-LC*](#) [SM3106F14S-7S-LC](#) [U90B3054061110](#) [U65-E04-4020](#) [ZPF000000000097891](#) [557-262M2-06C](#) [747360449](#) [10099439-003C-TRLF](#)