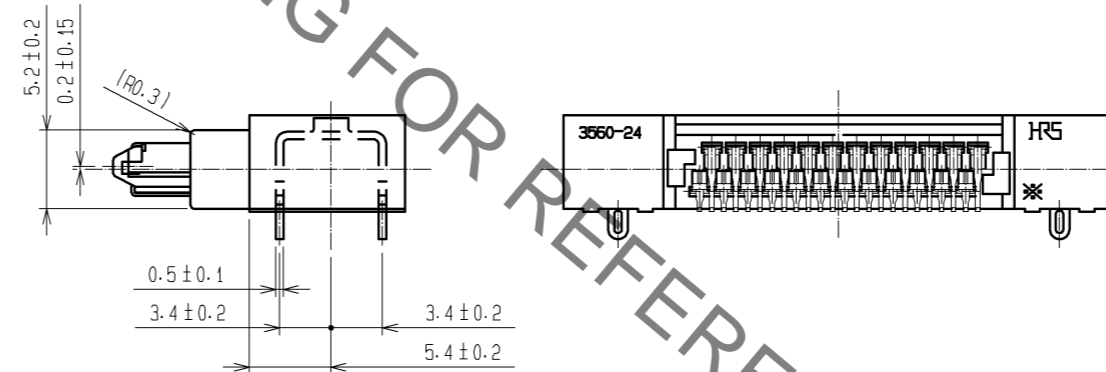
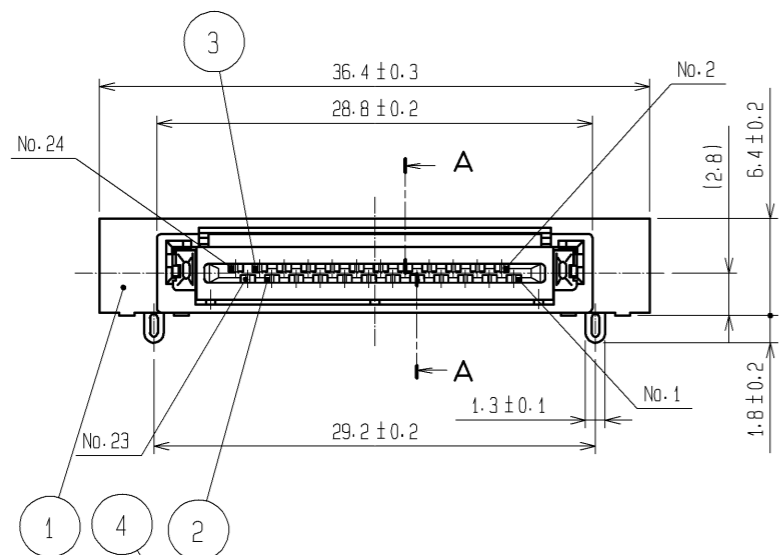
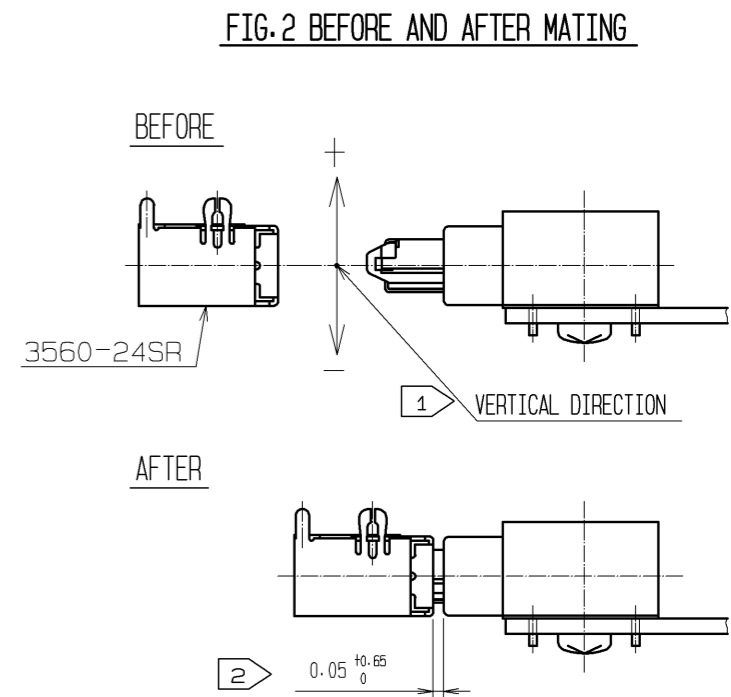
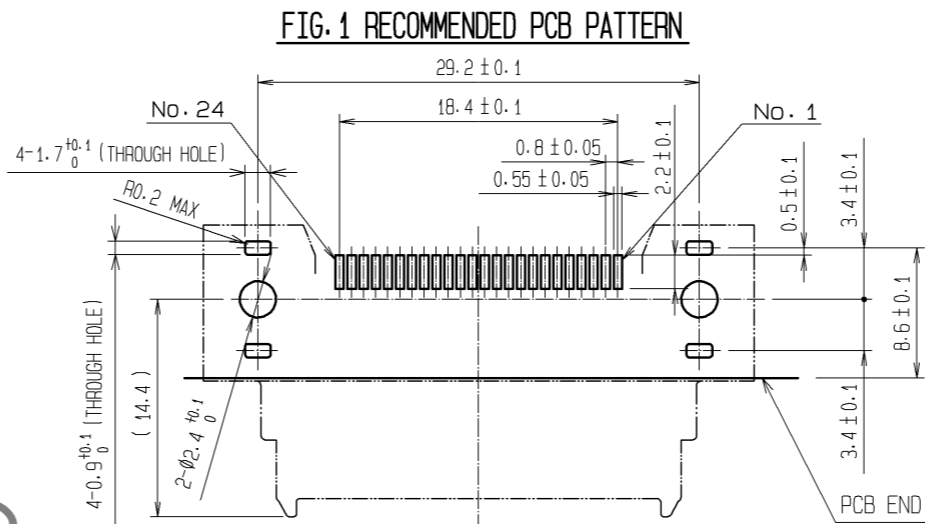
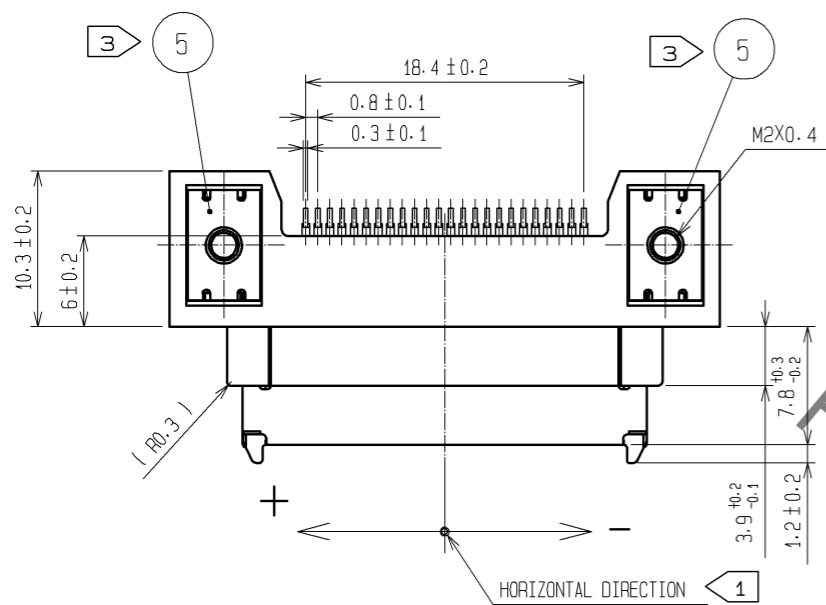
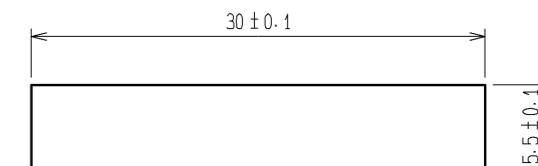


May.1.2019 Copyright 2019 HIROSE ELECTRIC CO., LTD. All Rights Reserved.  
In case of consideration for using Automotive equipment / device which demand high reliability, kindly contact our sales window correspondents.

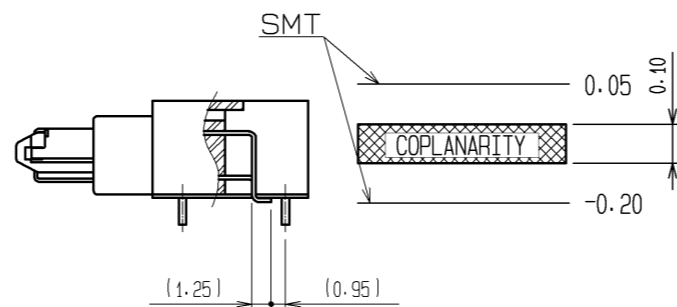


PANEL CUTOUT  
PANEL THICKNESS t=3.5mm MAX



- NOTE
- ① FLOATING DISTANCE IN HORIZONTAL AND VERTICAL DIRECTIONS IS  $\pm 0.7$  (APPLICABLE CONNECTOR: 3560-24SR)
  - ② GAP BETWEEN MATED PLUG AND RECEPTACLE TO BE  $0.05^{+0.65}_0$
  - ③ REFERENCE NOS. ④ AND ⑤ ARE CONNECTED INSIDE THE CONNECTOR. (GROUND IS TO BE CONNECTED TO PCB BY REFERENCE NO. ⑤)
  - ④ SMT DIMENSION OF CONTACTS (REFERENCE NOS. ② AND ③) SHOWN IN FIG. 3

④ FIG. 3 SMT&COPLANARITY CONTACT DIMENSION



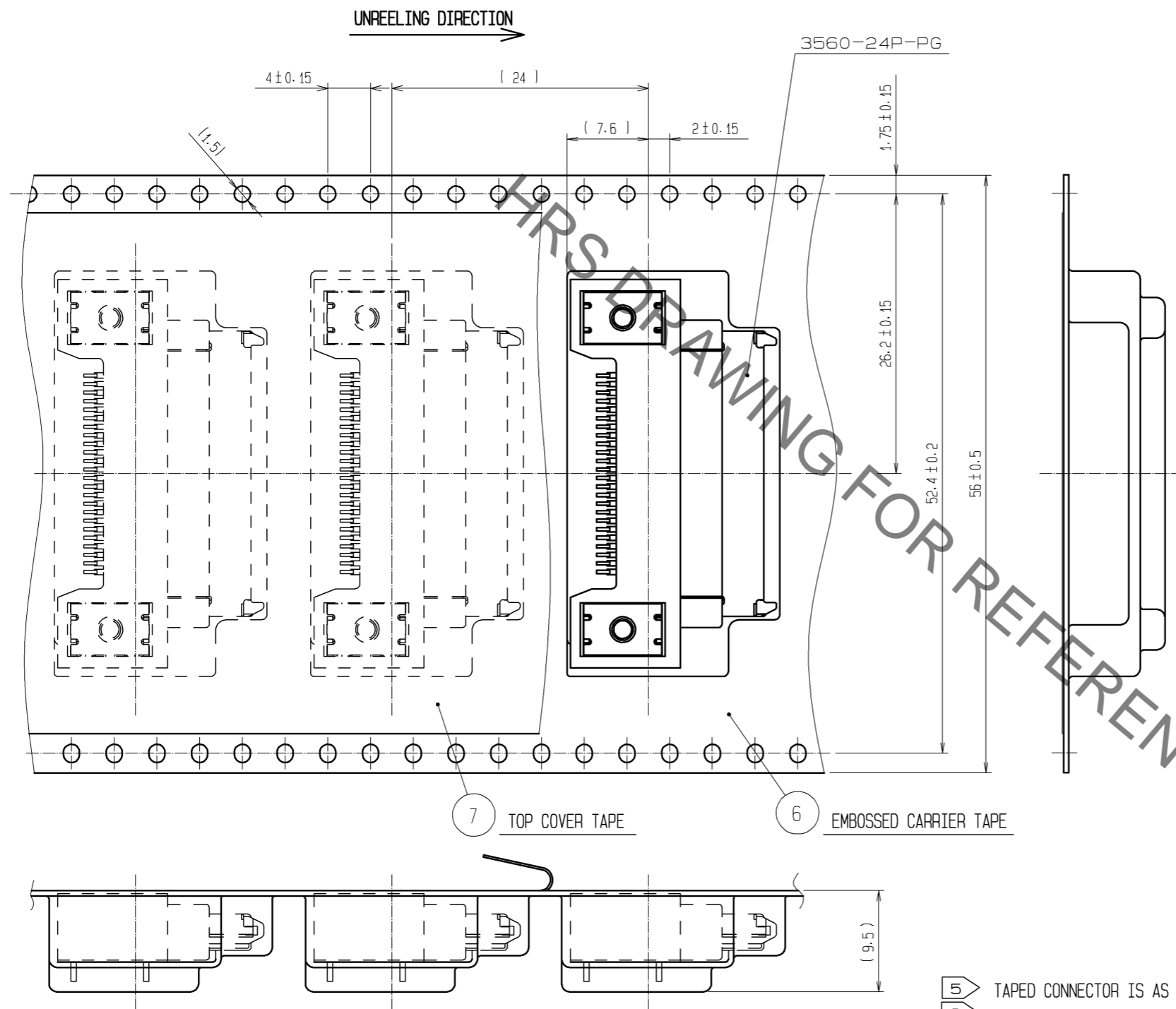
NO.	MATERIAL	FINISH . REMARKS	NO.	MATERIAL	FINISH . REMARKS
3	COPPER ALLOY	CONTACT AREA GOLD PLATING 0.76µm min LEAD AREA GOLD PLATING 0.03µm min UNDER PLATING NICKEL PLATING 1.27µm min	7	PS	
2			6	PS	
1	POLYAMIDE	(BLACK) UL94V-0	5	COPPER ALLOY	TIN PLATING 1µm min
			4	STAINLESS STEEL	

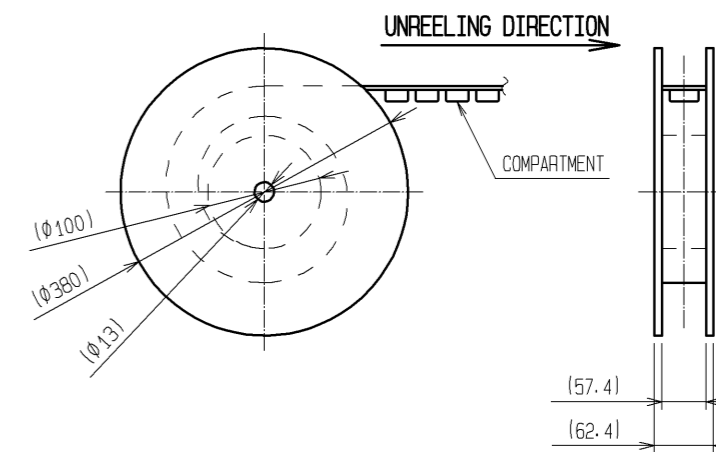
UNITS	SCALE	COUNT	DESCRIPTION OF REVISIONS	DESIGNED	CHECKED	DATE
mm	2 : 1	△				
APPROVED : HO. MIWA			07.07.13	DRAWING NO. EDC3-124784-02		
CHECKED : SJ. SHIMIZU			07.07.12	PART NO. 3560-24P-PG(57)		
DESIGNED : TS. ITO			07.07.12	CODE NO. CL235-0023-6-57		
DRAWN : TS. ITO			07.07.12			

May.1.2019 Copyright 2019 HIROSE ELECTRIC CO., LTD. All Rights Reserved.  
 In case of consideration for using Automotive equipment / device which demand high reliability, kindly contact our sales window correspondents.

5 FIG. 4: TAPED CONNECTOR



6 FIG. 5: STYLE AND DIMENSION OF WINDED REEL  
(SCALE: FREE)



- 5 TAPED CONNECTOR IS AS SHOWN IN FIG. 4
- 6 STYLE AND DIMENSION OF WINDED REEL IS AS SHOWN IN FIG. 5 (PER REEL : 300 PCS)

<b>HRS</b>	DRAWING NO.	EDC3-124784-02	2/2
	PART NO.	3560-24P-PG (57)	
	CODE NO.	CL235-0023-6-57	

## X-ON Electronics

Largest Supplier of Electrical and Electronic Components

*Click to view similar products for [I/O Connectors](#) category:*

*Click to view products by [Hirose](#) manufacturer:*

Other Similar products are found below :

[571763P](#) [58098-0628](#) [72.250.1628.2](#) [72.250.2428.2](#) [74720-0505](#) [76.350.0729.0](#) [76871-1403](#) [FCN-244F080-G/1](#) [FCN-260A9920](#) [MP-5T180MUNNA-005](#) [PCR-E36PM](#) [PCS-XE26MA+](#) [G38A71314B](#) [1571250010](#) [157-22500-3](#) [MS3471L14-19P L/C](#) [192991-0703](#) [172501-4002](#) [172501-6002](#) [FCN-260C008-A/L0](#) [FCN-260C024-AL0](#) [FCN-261Z008](#) [2000314-1](#) [200331-1](#) [PCR-E36FC+](#) [PCS-E28FS+](#) [PCS-XE26SLFD+](#) [PCS-XE26SLFDT+](#) [G730VID08BDC24](#) [HDR-E14MSG1+](#) [U90B2054081210](#) [UE86K842720321](#) [38113800006](#)  
[DP3AR020WQ1R200](#) [Z4.102.0680.0](#) [500-1040](#) [500-1052](#) [500-1054](#) [ZP-4008-66L](#) [0709821002](#) [DX40-20P\(55\)](#) [5554841-1](#) [MS3474W18-8P-LC\\*](#) [SM3106F14S-7S-LC](#) [U90B3054061110](#) [U65-E04-4020](#) [ZPF000000000097891](#) [557-262M2-06C](#) [747360449](#) [10099439-003C-TRLF](#)