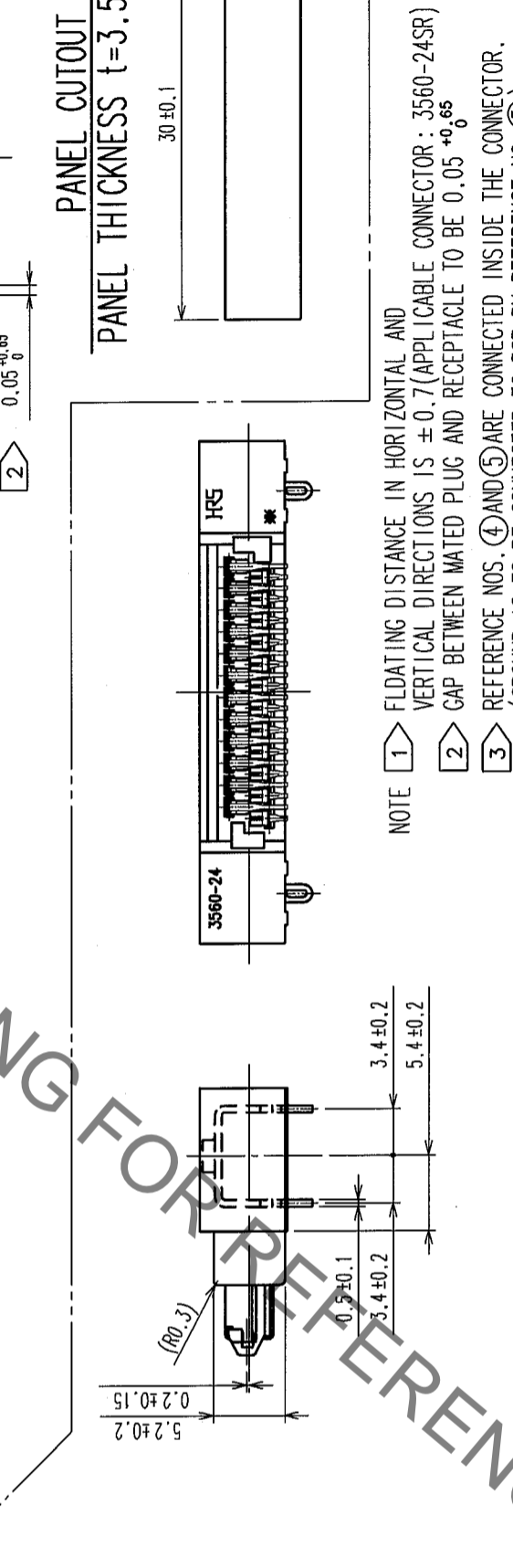
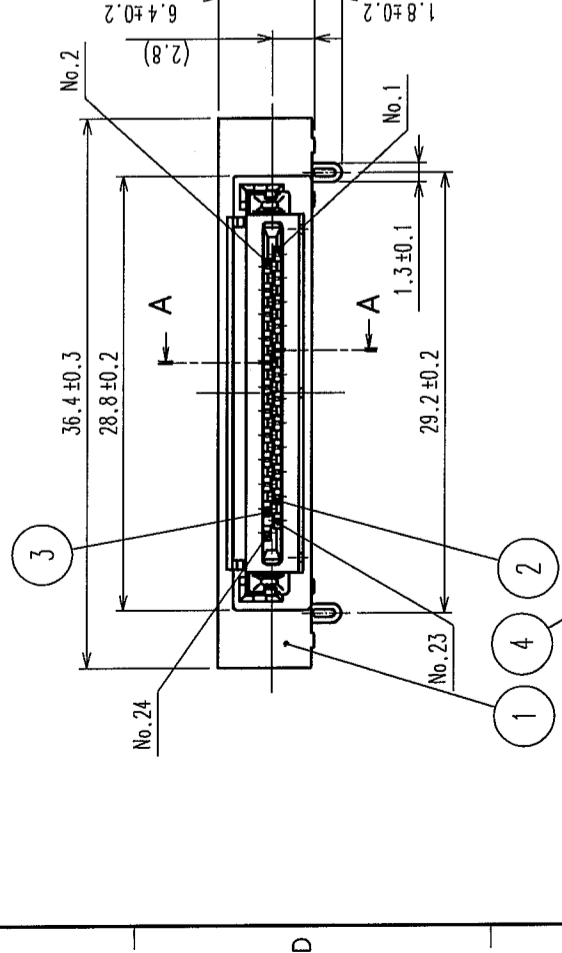
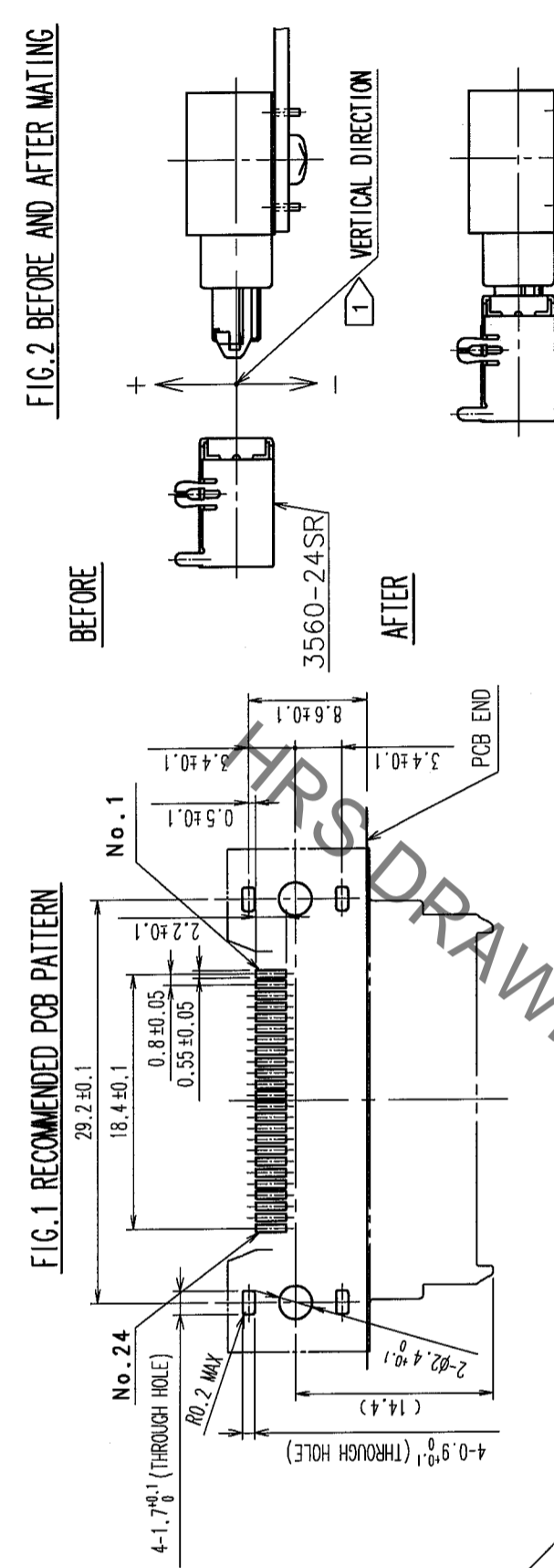
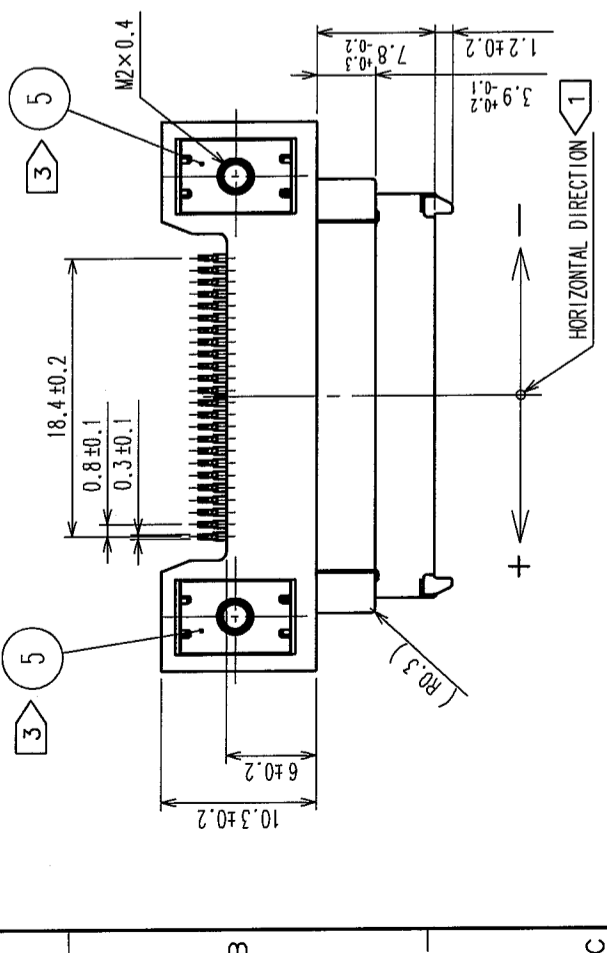


COUNT	DESCRIPTION OF REVISIONS	BY	CHKD	DATE	COUNT	DESCRIPTION OF REVISIONS	BY	CHKD	DATE
1	RE-E-10206	T.T	Y.E	04.07.06					



NOTE  
 1 FLDATING DISTANCE IN HORIZONTAL AND VERTICAL DIRECTIONS IS ±0.7 (APPLICABLE CONNECTOR : 3560-24SR)  
 2 GAP BETWEEN MATED PLUG AND RECEPTACLE TO BE 0.05 +0.05/0  
 3 REFERENCE NOS. ④ AND ⑤ ARE CONNECTED INSIDE THE CONNECTOR. (GROUND IS TO BE CONNECTED TO PCB BY REFERENCE NO. ⑤)  
 4 SMT DIMENSION OF CONTACTS (REFERENCE NOS. ② AND ③) SHOWN IN FIG. 3

PANEL CUTOUT  
 PANEL THICKNESS t=3.5mm MAX

FIG. 3 SMT&COPLANARITY CONTACT DIMENSION

FIG. 2 BEFORE AND AFTER MATING

NO.	COPPER ALLOY	SELECTIVE GOLD PLATING	FINISH, REMARKS	NO.	MATERIAL	FINISH, REMARKS
3	COPPER ALLOY	SELECTIVE GOLD PLATING		5	COPPER ALLOY	TIN PLATING
2	COPPER ALLOY	SELECTIVE GOLD PLATING	(BLACK) UL94V-0	4	STAINLESS STEEL	
1	POLYAMIDE					
CODE NO. (OLD)	DRAWN		DESIGNED	CHECKED	APPROVED	RELEASED
	T. TANIGUCHI		T. TANIGUCHI	Y. ENAMI	H. MIWA	
	'04. 04. 26		'04. 04. 26	'04. 04. 26	'04. 04. 26	

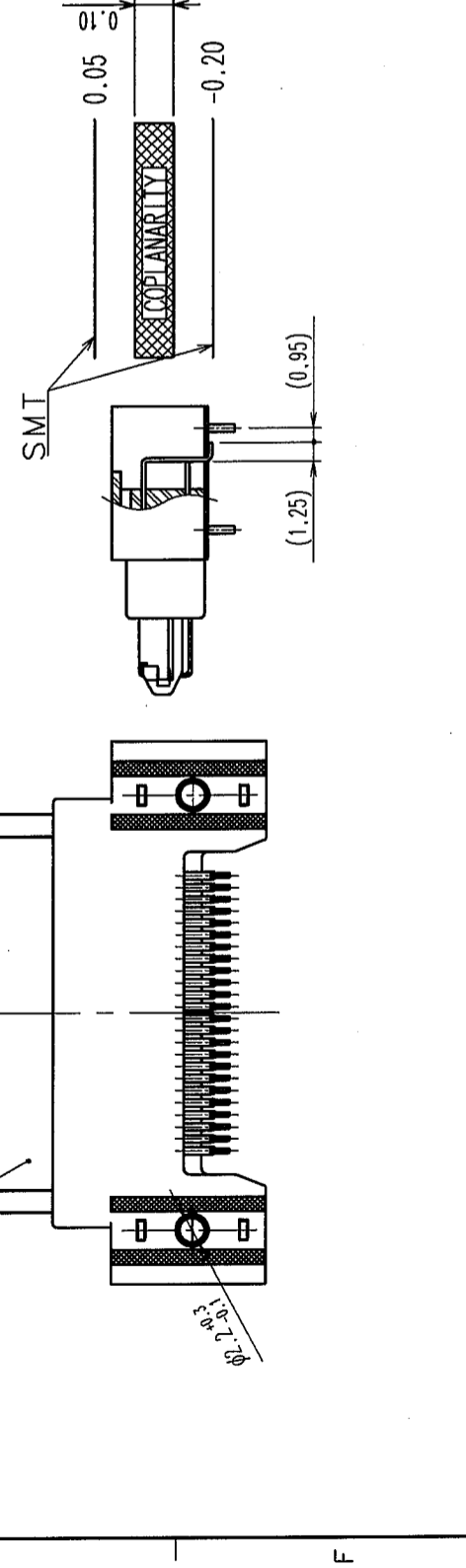
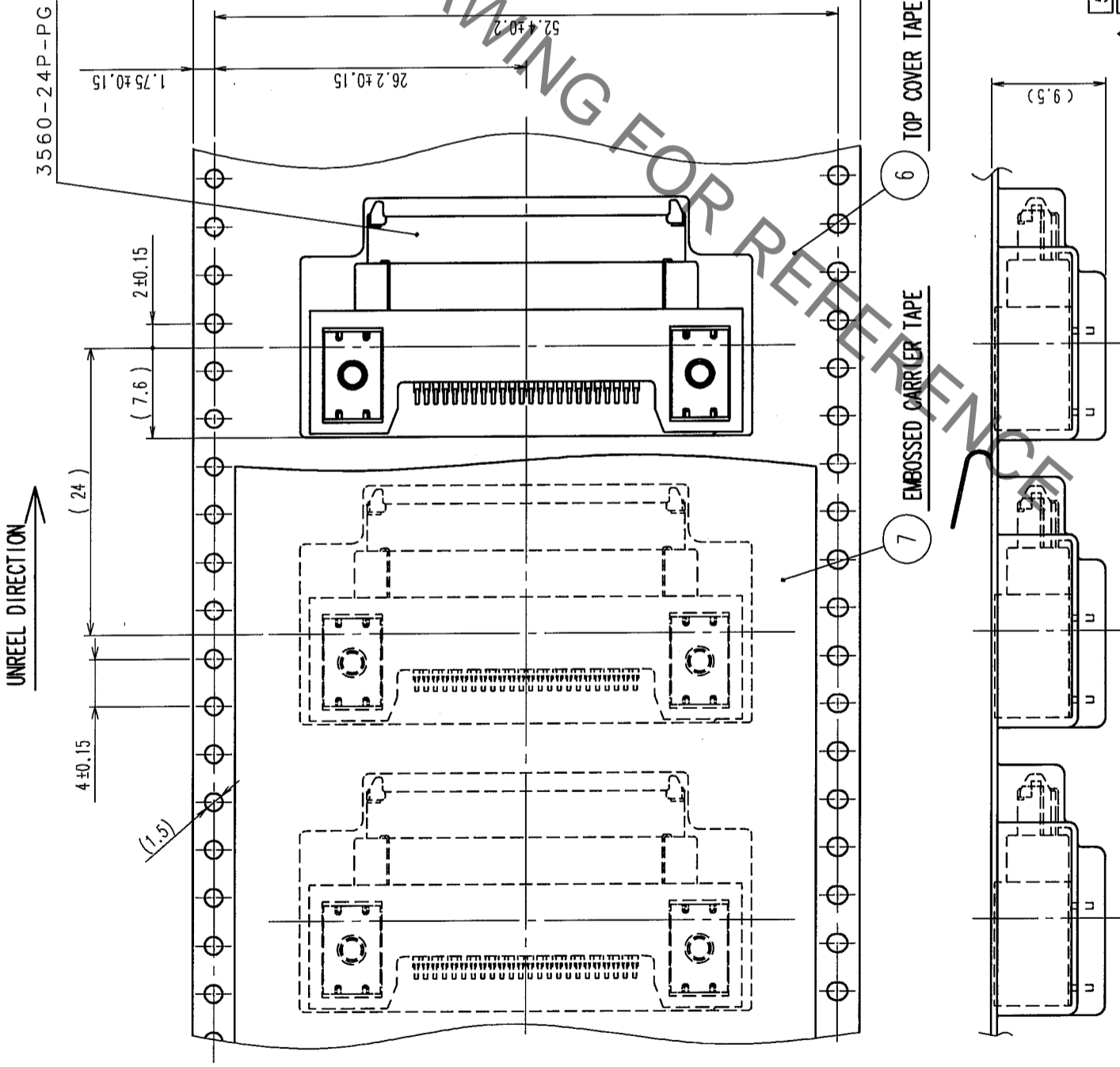


FIG. 2 BEFORE AND AFTER MATING

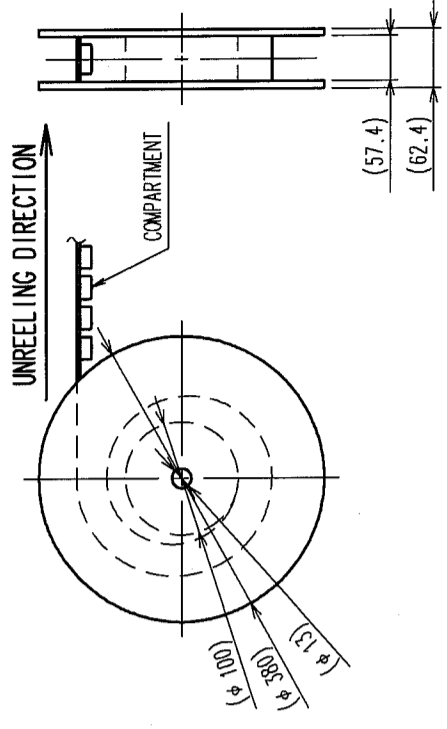
DRAWING NO.	PART NO.
EDC3-124784-01	3560-24P-PG(61)
SCALE 2 : 1	CODE NO. CL235-0023-6-61
UNITS mm	

HRS	HIROSE ELECTRIC CO., LTD	6	7	8	FORM NO. 229
-----	--------------------------	---	---	---	--------------

5> FIG. 4: TAPED CONNECTOR



6> FIG. 5: STYLE AND DIMENSION OF WINDED REEL (FREE)



5> TAPED CONNECTOR IS AS SHOWN IN FIG. 4

6> STYLE AND DIMENSION OF WINDED REEL IS AS SHOWN IN FIG. 5 (PER REEL: 300 CONNECTORS)

6 PS		7 PS							
NO.	MATERIAL	FINISH, REMARKS	NO.	MATERIAL	FINISH, REMARKS				
CODE NO. (OLD)									
PACKING SPECIFICATION									
						DRAWN		DESIGNED	
		T. TANIGUCHI		T. TANIGUCHI		Y. ENAMI		H. MIWA	
		'04. 04. 26		'04. 04. 26		'04. 04. 26		'04. 04. 26	
DRAWING NO.		EDC3-124784-01		PART NO.		3560-24P-PG(61)			
SCALE		2 : 1		CODE NO.		CL235-0023-6-61		2/2	
UNITS		mm		HIROSE ELECTRIC CO., LTD					

TO	

## X-ON Electronics

Largest Supplier of Electrical and Electronic Components

*Click to view similar products for [I/O Connectors](#) category:*

*Click to view products by [Hirose](#) manufacturer:*

Other Similar products are found below :

[571763P](#) [58098-0628](#) [72.250.1628.2](#) [72.250.2428.2](#) [74720-0505](#) [76.350.0729.0](#) [76871-1403](#) [FCN-244F080-G/1](#) [FCN-260A9920](#) [PCR-E36PM](#) [PCS-XE26MA+](#) [G38A71314B](#) [1571250010](#) [157-22500-3](#) [MS3471L14-19P L/C](#) [192991-0703](#) [172501-4002](#) [172501-6002](#) [FCN-260C008-A/L0](#) [FCN-260C024-AL0](#) [FCN-261Z008](#) [2000314-1](#) [200331-1](#) [PCR-E36FC+](#) [PCS-E28FS+](#) [PCS-XE26SLFD+](#) [PCS-XE26SLFDT+](#) [G730VID08BDC24](#) [U90B2054081210](#) [38113800006](#) [DP3AR020WQ1R200](#) [Z4.102.0680.0](#) [500-1040](#) [500-1052](#) [500-1054](#) [ZP-4008-66L](#) [0709821002](#) [DX40-20P\(55\)](#) [5554841-1](#) [MS3474W18-8P-LC\\*](#) [U90B3054061110](#) [U65-E04-4020](#) [ZPF000000000097891](#) [747360449](#) [10099439-003C-TRLF](#) [10137239-0021LF](#) [E9320-001-01](#) [10137239-0011LF](#) [70289-001LF](#) [70.060.1028.0](#)