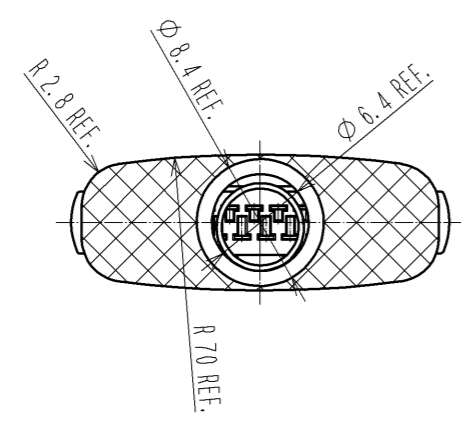
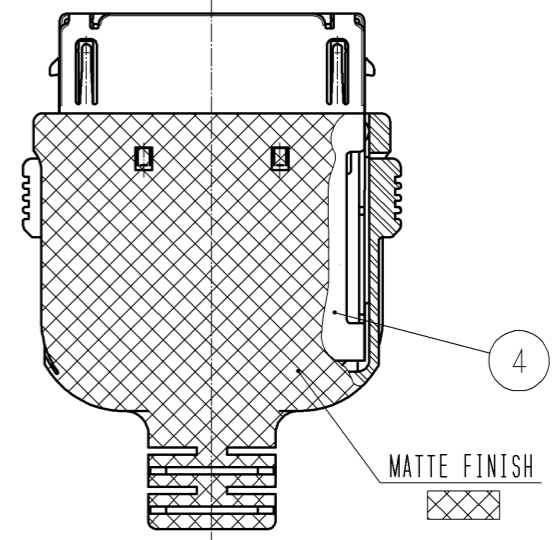
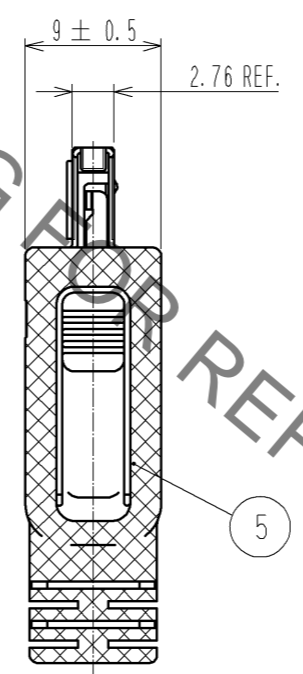
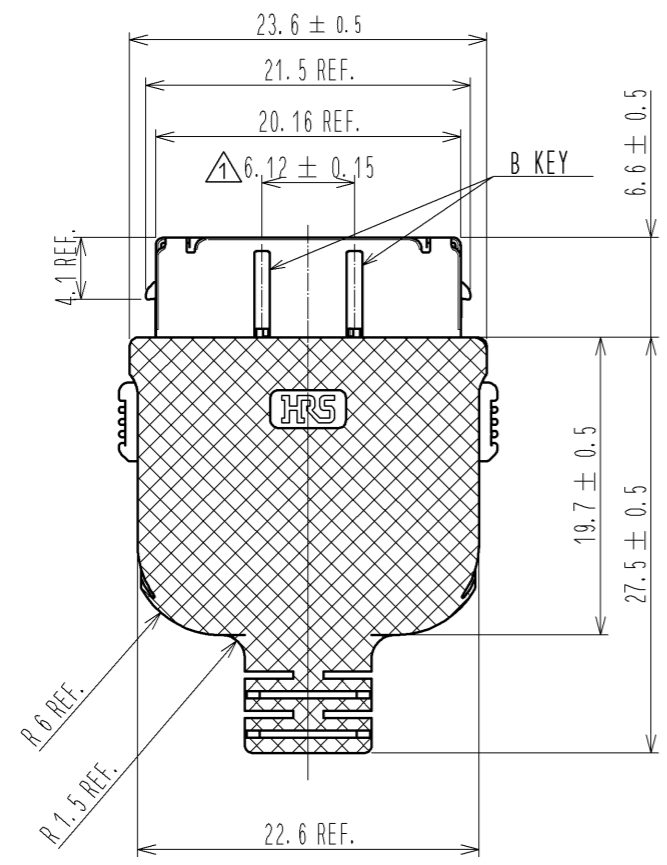
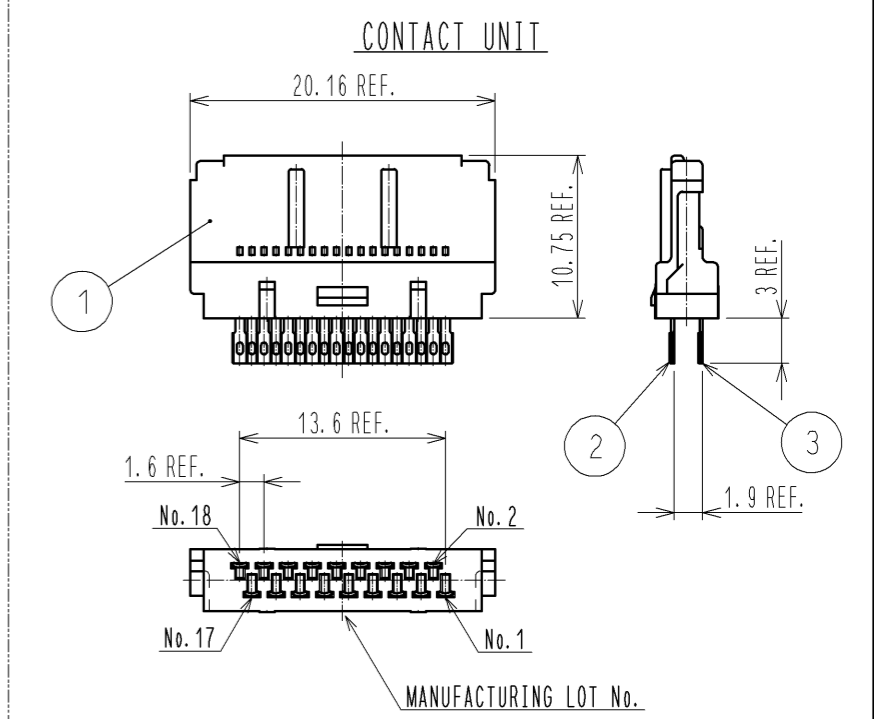
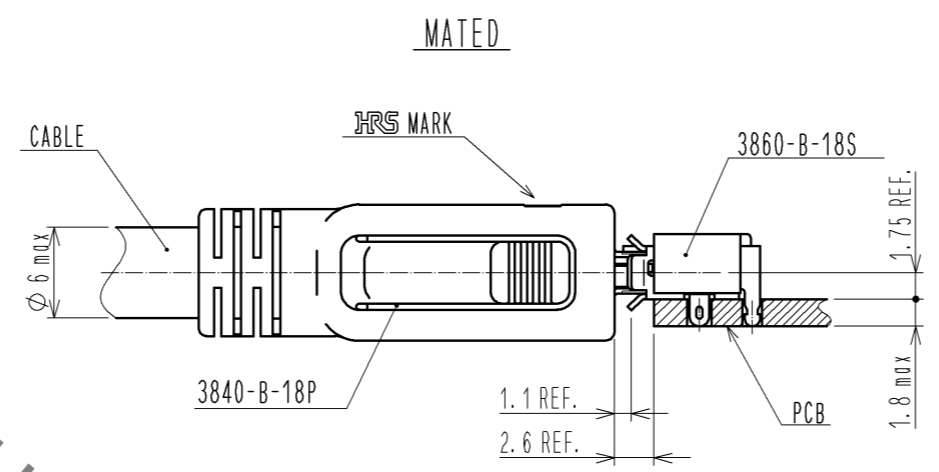
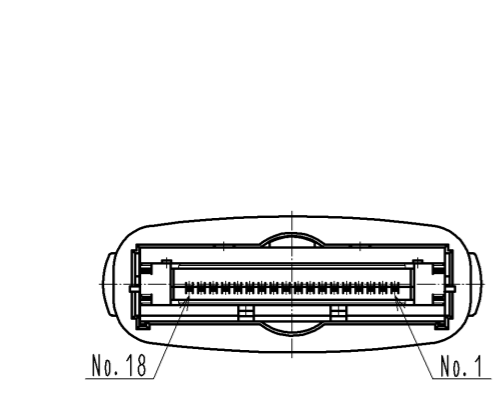


Jul.1.2019 Copyright 2019 HIROSE ELECTRIC CO., LTD. All Rights Reserved.  
 In case of consideration for using Automotive equipment / device which demand high reliability, kindly contact our sales window correspondents.

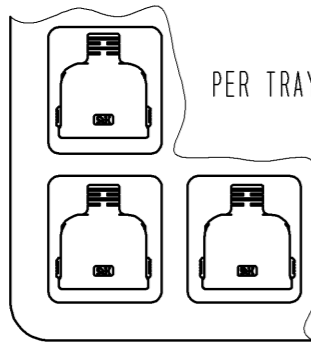
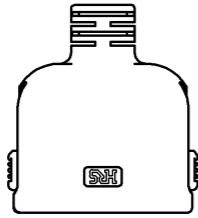


HRS DRAWING FOR REFERENCE

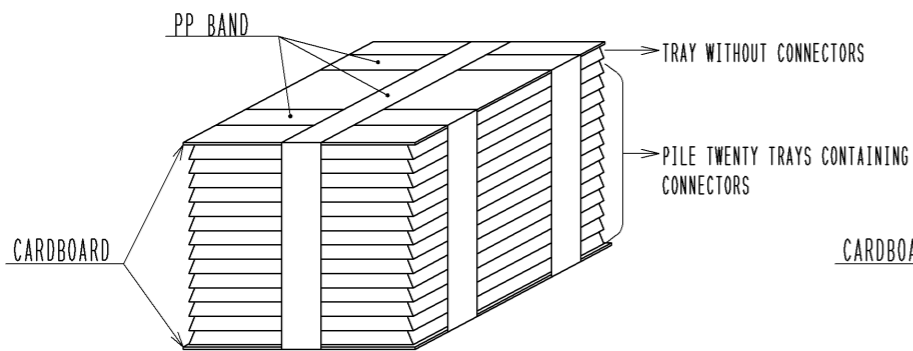
3	COPPER ALLOY	SELECTIVE GOLD PLATING 0.76 μm MIN	5	POLYCARBONATE	(BLACK) UL94V-0		
2	COPPER ALLOY	SELECTIVE GOLD PLATING 0.76 μm MIN	4	STAINLESS STEEL			
1	PA	(BLACK) UL94V-0					
NO.	MATERIAL	FINISH . REMARKS	NO.	MATERIAL	FINISH . REMARKS		
UNITS	mm	SCALE	COUNT	DESCRIPTION OF REVISIONS	DESIGNED	CHECKED	DATE
		2 : 1	1	DIS-E-003218	KO. KAWAMURA	TA. ASO	10.04.02
APPROVED : NF. MIYAZAKI		09.11.19	DRAWING NO.		EDC3-127059-00		
CHECKED : TA. ASO		09.11.18	PART NO.		3840-B-18P		
DESIGNED : KO. KAWAMURA		09.11.18	CODE NO.		CL238-2007-0-00		
DRAWN : KO. KAWAMURA		09.11.18			1/2		

# [ 3840-\*\*-18P PACKING SPECIFICATION ]

<HOOD>

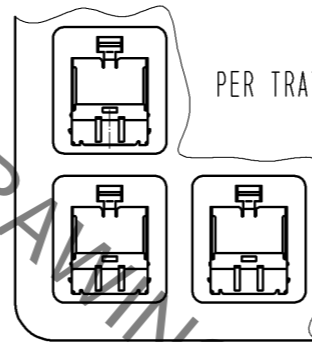
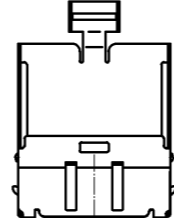


PER TRAY: 25 PCS MAX

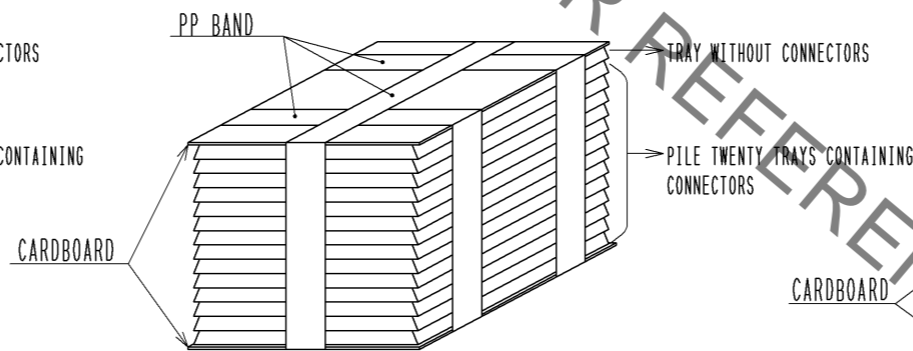


500 PCS MAX

<METAL SHELL>

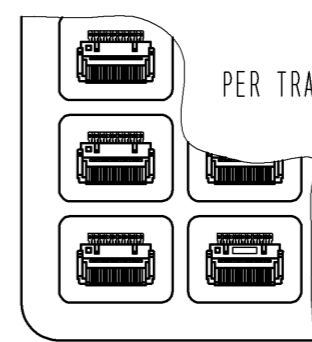
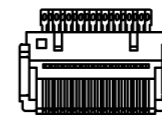


PER TRAY: 25 PCS MAX

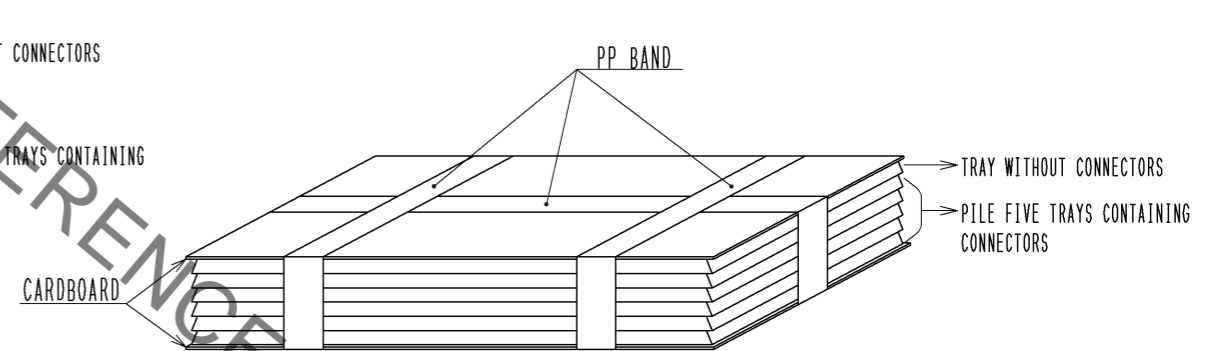


500 PCS MAX

<UNIT>

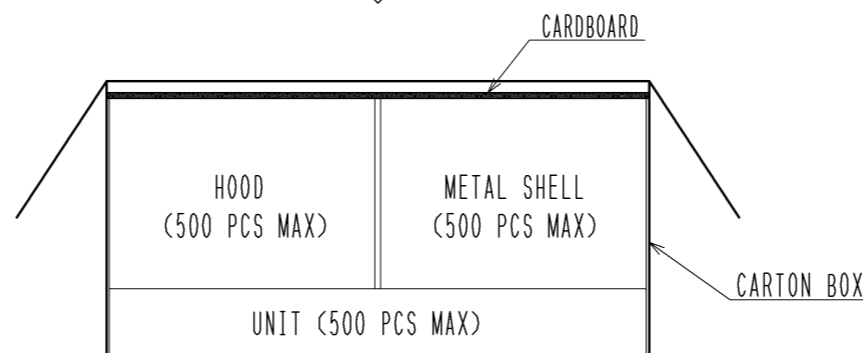
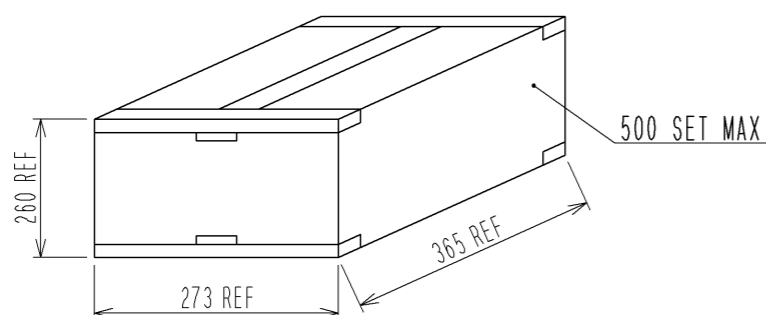


PER TRAY: 100 PCS MAX



500 PCS MAX

## PACKING SPECIFICATION



HRS DRAWING FOR REFERENCE

<b>HRS</b>	DRAWING NO.	EDC3-127059-00	2/2
	PART NO.	3840-B-18P	
	CODE NO.	CL238-2007-0-00	

In case of consideration for using Automotive equipment / device which demand high reliability, kindly contact our sales window correspondents.

## X-ON Electronics

Largest Supplier of Electrical and Electronic Components

*Click to view similar products for [I/O Connectors](#) category:*

*Click to view products by [Hirose](#) manufacturer:*

Other Similar products are found below :

[571763P](#) [58098-0628](#) [72.250.1628.2](#) [72.250.2428.2](#) [74720-0505](#) [76.350.0729.0](#) [76871-1403](#) [FCN-244F080-G/1](#) [FCN-260A9920](#) [MP-5T180MUNNA-005](#) [PCR-E36PM](#) [PCS-XE26MA+](#) [G38A71314B](#) [1571250010](#) [157-22500-3](#) [MS3471L14-19P L/C](#) [192991-0703](#) [172501-4002](#) [172501-6002](#) [FCN-260C008-A/L0](#) [FCN-260C024-AL0](#) [FCN-261Z008](#) [2000314-1](#) [200331-1](#) [PCR-E36FC+](#) [PCS-E28FS+](#) [PCS-XE26SLFD+](#) [PCS-XE26SLFDT+](#) [G730VID08BDC24](#) [U90B2054081210](#) [UE86K842720321](#) [38113800006](#) [DP3AR020WQ1R200](#) [Z4.102.0680.0](#) [500-1040](#) [500-1052](#) [500-1054](#) [ZP-4008-66L](#) [0709821002](#) [DX40-20P\(55\)](#) [5554841-1](#) [MS3474W18-8P-LC\\*](#) [SM3106F14S-7S-LC](#) [U90B3054061110](#) [U65-E04-4020](#) [ZPF000000000097891](#) [557-262M2-06C](#) [747360449](#) [10099439-003C-TRLF](#) [10137239-0021LF](#)