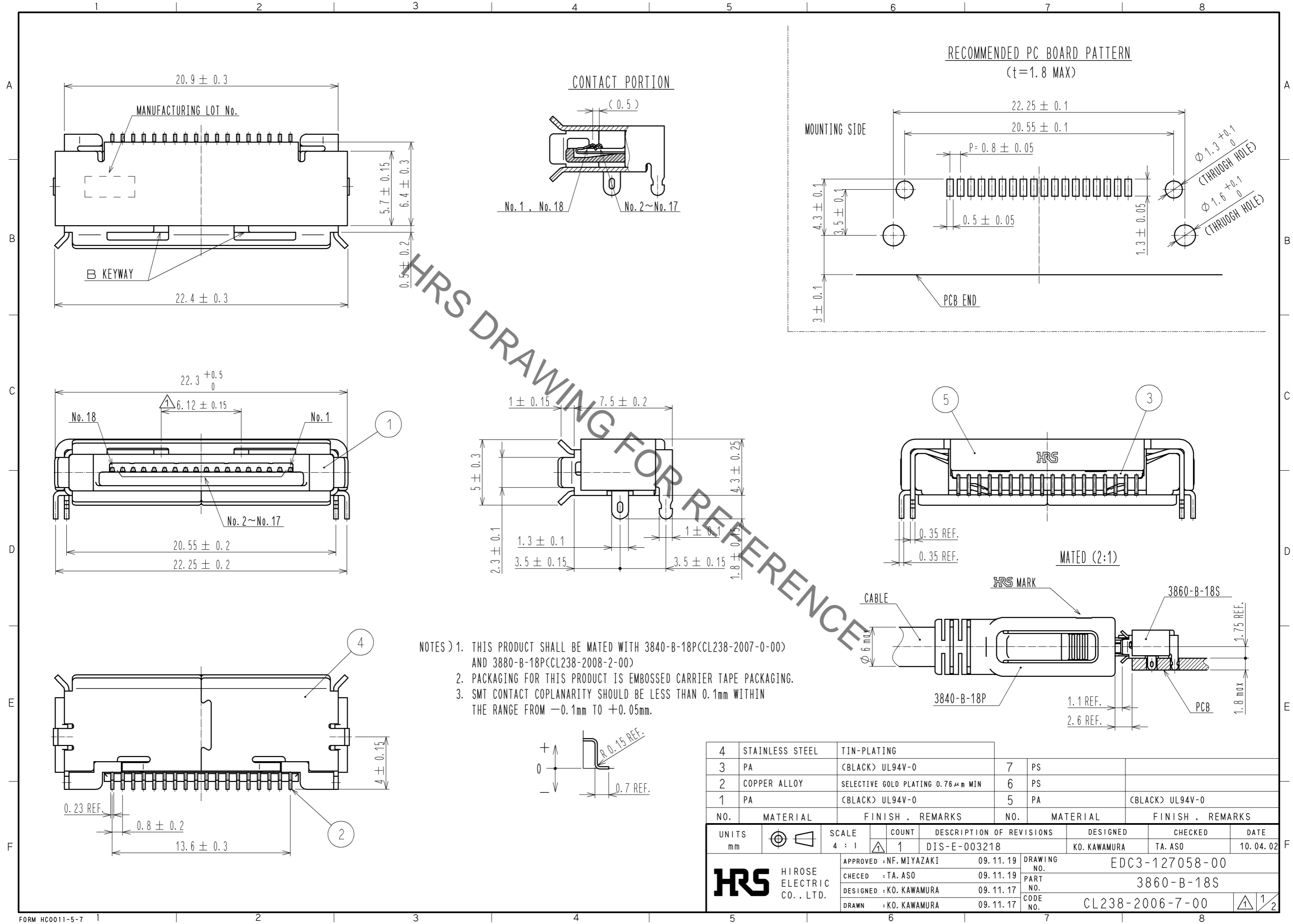
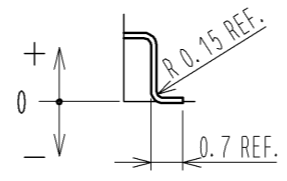


Sep.1.2021 Copyright 2021 HIROSE ELECTRIC CO., LTD. All Rights Reserved.
In case of consideration for using Automotive equipment / device which demand high reliability, kindly contact our sales window correspondents.



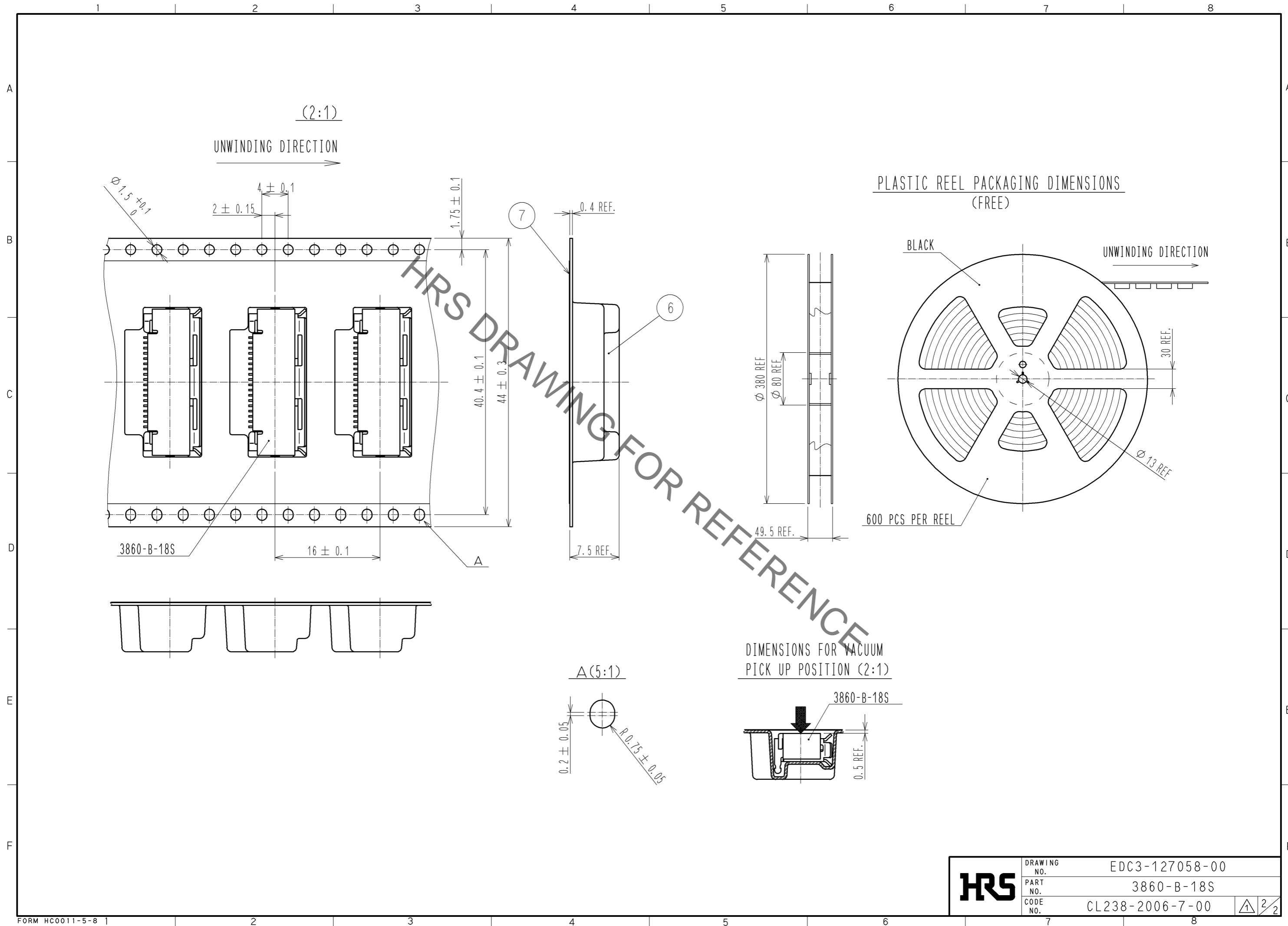
HRS DRAWING FOR REFERENCE

- NOTES) 1. THIS PRODUCT SHALL BE MATED WITH 3840-B-18P(CL238-2007-0-00) AND 3880-B-18P(CL238-2008-2-00)
 2. PACKAGING FOR THIS PRODUCT IS EMBOSSED CARRIER TAPE PACKAGING.
 3. SMT CONTACT COPLANARITY SHOULD BE LESS THAN 0.1mm WITHIN THE RANGE FROM -0.1mm TO +0.05mm.



4	STAINLESS STEEL	TIN-PLATING					
3	PA	(BLACK) UL94V-0	7	PS			
2	COPPER ALLOY	SELECTIVE GOLD PLATING 0.76 μm MIN	6	PS			
1	PA	(BLACK) UL94V-0	5	PA	(BLACK) UL94V-0		
NO.	MATERIAL	FINISH . REMARKS	NO.	MATERIAL	FINISH . REMARKS		
UNITS	mm	SCALE	4 : 1	COUNT	1	DESCRIPTION OF REVISIONS	DESIGNED
						DIS-E-003218	KO. KAWAMURA
							CHECKED
							TA. ASO
							DATE
							10.04.02
HRS		HIROSE ELECTRIC CO., LTD.	APPROVED	NF. MIYAZAKI	09.11.19	DRAWING NO.	EDC3-127058-00
			CHECKED	TA. ASO	09.11.19	PART NO.	3860-B-18S
			DESIGNED	KO. KAWAMURA	09.11.17	CODE NO.	CL238-2006-7-00
			DRAWN	KO. KAWAMURA	09.11.17		

Sep.1.2021 Copyright 2021 HIROSE ELECTRIC CO., LTD. All Rights Reserved.
In case of consideration for using Automotive equipment / device which demand high reliability, kindly contact our sales window correspondents.



X-ON Electronics

Largest Supplier of Electrical and Electronic Components

Click to view similar products for [I/O Connectors](#) category:

Click to view products by [Hirose](#) manufacturer:

Other Similar products are found below :

[571763P](#) [58098-0628](#) [72.250.1628.2](#) [72.250.2428.2](#) [74720-0505](#) [76.350.0729.0](#) [76871-1403](#) [FCN-244F080-G/1](#) [FCN-260A9920](#) [MP-5T180MUNNA-005](#) [PCR-E36PM](#) [PCS-XE26MA+](#) [G38A71314B](#) [1571250010](#) [157-22500-3](#) [MS3471L14-19P L/C](#) [192991-0703](#) [172501-4002](#) [172501-6002](#) [FCN-260C008-A/L0](#) [FCN-260C024-AL0](#) [FCN-261Z008](#) [2000314-1](#) [200331-1](#) [PCR-E36FC+](#) [PCS-E28FS+](#) [PCS-XE26SLFD+](#) [PCS-XE26SLFDT+](#) [G730VID08BDC24](#) [HDR-E14MSG1+](#) [U90B2054081210](#) [UE86K842720321](#) [38113800006](#)
[DP3AR020WQ1R200](#) [Z4.102.0680.0](#) [500-1040](#) [500-1052](#) [500-1054](#) [ZP-4008-66L](#) [0709821002](#) [DX40-20P\(55\)](#) [5554841-1](#) [MS3474W18-8P-LC*](#) [SM3106F14S-7S-LC](#) [U90B3054061110](#) [U65-E04-4020](#) [ZPF000000000097891](#) [557-262M2-06C](#) [747360449](#) [10099439-003C-TRLF](#)