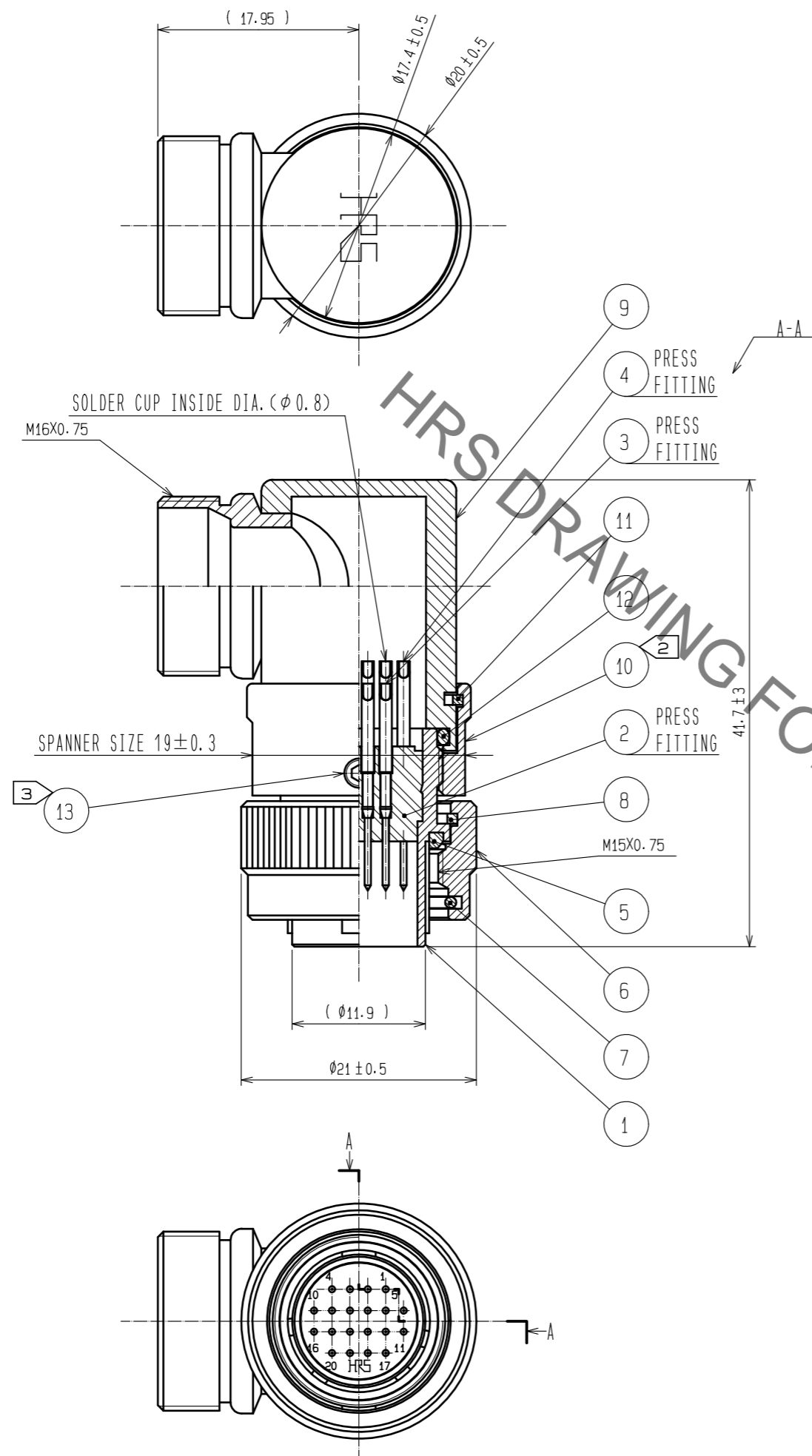


Jul.1.2019 Copyright 2019 HIROSE ELECTRIC CO., LTD. All Rights Reserved.  
 In case of consideration for using Automotive equipment / device which demand high reliability, kindly contact our sales window correspondents.



NOTES 1 ONE EXAMPLE OF THE ROTATION OF REF. NO. ①, ② AND ⑩ IS SHOWN.  
 2 THE RECOMMENDED CLAMP TORQUE REF. NO. ⑩: 3 TO 4 N · m.  
 LOCTITE 243, HENKEL JAPAN OR EQUIVALENT IS RECOMMENDED TO PREVENT REF. NO. ⑩ FROM LOOSENING.  
 3 ACRISS FLATS HEXAGON HEAD OF REF. NO. ⑬: 1.27  
 THE RECOMMENDED CLAMP TORQUE REF. NO. ⑬: 0.3 TO 0.4 N · m  
 LOCTITE 243, HENKEL JAPAN OR EQUIVALENT IS RECOMMENDED TO PREVENT REF. NO. ⑬ FROM LOOSENING.  
 4 THIS PRODUCT TO BE USED WITH CABLECLAMP, JR13WCC-\*(72)  
 \* DESIGNATE DIAMETER OF APPLICABLE CABLE.  
 LOCTITE 243, HENKEL JAPAN OR EQUIVALENT IS RECOMMENDED TO PREVENT FROM LOOSENING.  
 5 THE CABLE PULL AND TWISTING STRENGTH AND OTHER CHARACTERISTICS MAY DIFFER,  
 DEPENDING ON THE CABLE STRUCTURE.  
 PLEASE CONFIRM BEFORE THE USE.

NO.	MATERIAL	FINISH . REMARKS	NO.	MATERIAL	FINISH . REMARKS
7	STEEL	NICKEL PLATING	13	STEEL	JISB1177 HEAGON SOCKET SET SCREW M2.6X0.45X2
6	BRASS	NICKEL PLATING	12	ACRYLONITRILE BUTADIENE RUBBER	(BLACK)
5	ACRYLONITRILE BUTADIENE RUBBER	(BLACK)	11	PHOSPHOR BRONZE	NICKEL PLATING
4	BRASS	SILVER PLATING 2µm min.	10	BRASS	NICKEL PLATING
3	BRASS	SILVER PLATING 2µm min.	9	BRASS	NICKEL PLATING
2	POLYBUTYLENE TEREPHTHALATE	(BLACK) UL94V-0	8	PHOSPHOR BRONZE	NICKEL PLATING
1	ZINC ALLOY	NICKEL PLATING			

UNITS	SCALE	COUNT	DESCRIPTION OF REVISIONS	DESIGNED	CHECKED	DATE
mm	2 : 1	△				
<b>HRS</b> HIROSE ELECTRIC CO., LTD.			APPROVED : HY. KOBAYASHI 18.02.22 CHECKED : HY. KOBAYASHI 18.02.22 DESIGNED : HY. KISHI 18.02.21 DRAWN : MK. INOUE 18.02.06	DRAWING NO. EDC-113405-31-00 PART NO. HR22-12WTL P-20P(31) CODE NO. CL122-0054-5-31		

## X-ON Electronics

Largest Supplier of Electrical and Electronic Components

*Click to view similar products for [DC Power Connectors](#) category:*

*Click to view products by [CCS](#) manufacturer:*

Other Similar products are found below :

[1600206-1](#) [163-0301-EX](#) [163-0302](#) [163-0308-EX](#) [163-0310-EX](#) [163-1061-EX](#) [163-1100-EX](#) [163-4024](#) [163-4117-EX](#) [163-4118-EX](#) [163-5005-E](#) [163-7421](#) [163-MJ22-EX](#) [171-0721-EX](#) [171-0725-EX](#) [171-3118-EX](#) [171-3210-E](#) [171-3221-EX](#) [171-3222-EX](#) [171-A1326-EX](#) [173-23507-ST-EX](#) [173-5521TIP-EX](#) [173-6330TIP-EX](#) [KLDVX-SMT-02-ATR](#) [KLDX-0201-AHT-1](#) [KLDX-0202-AHT](#) [KLDX-SMT-0202-BP](#) [KLDX-SMT-0202-BPTR](#) [163-0179-EX](#) [163-0307-E](#) [163-0309-EX](#) [163-4007-EX](#) [163-4015-EX](#) [163-4025](#) [163-4119-E](#) [163-4303-E](#) [16PJ101-EX](#) [171-0702-EX](#) [171-0722-E](#) [171-0726-EX](#) [171-2122-EX](#) [171-3216-EX](#) [171-3218-EX](#) [171-3219-EX](#) [171-3220-EX](#) [171-7391](#) [173-3413-ST-EX](#) [173-4017-ST-EX](#) [RAPCBRK](#) [K596](#)