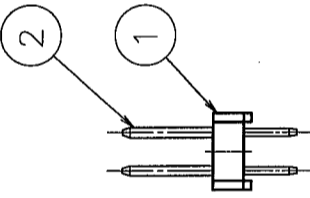
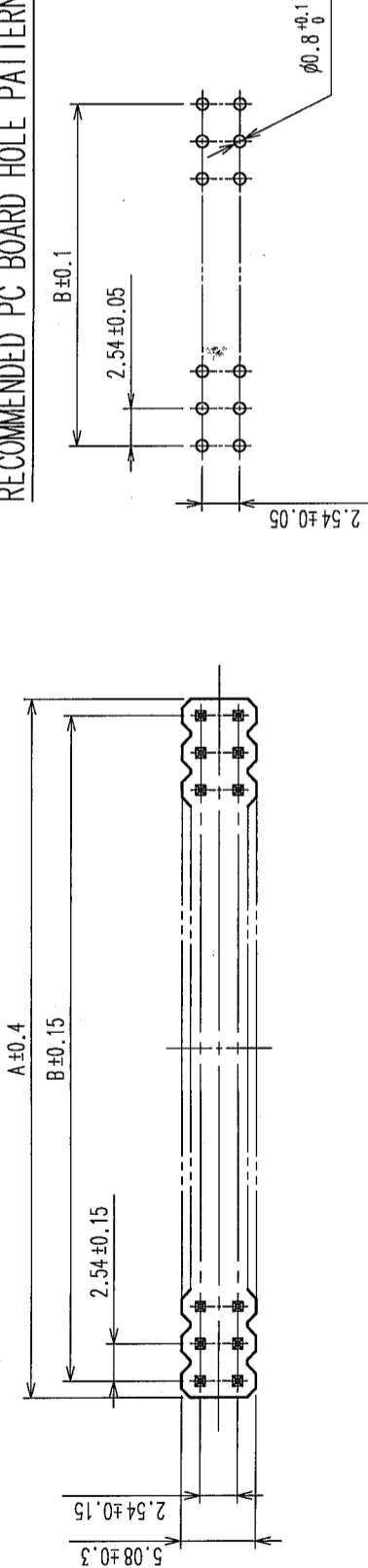


COUNT	DESCRIPTION OF REVISIONS	BY	CHKD	DATE	COUNT	DESCRIPTION OF REVISIONS	BY	CHKD	DATE
△					△				
△					△				
△					△				

RECOMMENDED PC BOARD HOLE PATTERN



PART No.	CODE No.	<input type="checkbox"/> 2		A	B
A1-4PA-2.54DSA(71)	CL619-0036-1-71	4	4.78	2.54	
A1-6PA-2.54DSA(71)	CL619-0021-4-71	6	7.32	5.08	
A1-8PA-2.54DSA(71)	CL619-0037-4-71	8	9.86	7.62	
A1-10PA-2.54DSA(71)	CL619-0022-7-71	10	12.40	10.16	
A1-12PA-2.54DSA(71)	CL619-0023-0-71	12	14.94	12.70	
A1-14PA-2.54DSA(71)	CL619-0024-2-71	14	17.48	15.24	
A1-16PA-2.54DSA(71)	CL619-0025-5-71	16	20.02	17.78	
A1-18PA-2.54DSA(71)	CL619-0026-8-71	18	22.56	20.32	
A1-20PA-2.54DSA(71)	CL619-0027-0-71	20	25.10	22.86	
A1-24PA-2.54DSA(71)	CL619-0028-3-71	24	30.18	27.94	
A1-26PA-2.54DSA(71)	CL619-0029-6-71	26	32.72	30.48	
A1-30PA-2.54DSA(71)	CL619-0030-5-71	30	37.80	35.56	
A1-34PA-2.54DSA(71)	CL619-0031-8-71	34	42.88	40.64	
A1-40PA-2.54DSA(71)	CL619-0032-0-71	40	50.50	48.26	
A1-50PA-2.54DSA(71)	CL619-0033-3-71	50	63.20	60.96	
A1-60PA-2.54DSA(71)	CL619-0034-6-71	60	75.90	73.66	
A1-64PA-2.54DSA(71)	CL619-0035-9-71	64	80.98	78.74	

NOTES 1. THE DIMENSIONS IN PARENTHESES ARE FOR REFERENCE.  
 2 NUMBER OF CONTACTS.

1	PBT	BLACK	UL94V-0	2	BRASS	CONTACT AREA : GOLD 0.2μm min DIP AREA : TIN-PLATING 2μm min UNDER PLATING : NICKEL 2.5μm min	
NO.	MATERIAL	FINISH, REMARKS	NO.	MATERIAL	FINISH, REMARKS	NO.	
CL							
CL							
CL							
DRAWING NO. EDC3-152791-21				PART NO. A1-**-PA-2.54DSA(71)			
SCALE FREE				DRAWN K. NAKAMURA		DESIGNED K. NAKAMURA	
UNITS mm				06.01.23		CHECKED H. Ogawa	
				06.01.23		APPROVED H. Ogawa	
						RELEASED	
				HIROSE ELECTRIC CO., LTD		CODE NO. CL619	
						1/1	

TO  
PCK

## X-ON Electronics

Largest Supplier of Electrical and Electronic Components

*Click to view similar products for [Headers & Wire Housings](#) category:*

*Click to view products by [Hirose](#) manufacturer:*

Other Similar products are found below :

[892-18-020-10-001101](#) [58102-G61-06LF](#) [582553-1](#) [0009485154](#) [009176003701906](#) [0050291907](#) [LY20-4P-DT1-P1E-BR](#) [02.125.8002.8](#)  
[609-3404](#) [61062-3](#) [622-0430](#) [622-3653LF](#) [63453-116](#) [636-1030](#) [636-1427](#) [636-3427](#) [636-4007](#) [641938-9](#) [641991-4](#) [644827-2](#) [65817-010LF](#)  
[65817-015LF](#) [65863-015LF](#) [66207-023LF](#) [67095-007LF](#) [67601157](#) [68648-049](#) [70.362.1628.0](#) [70-4210](#) [70-4226B](#) [70-4853B](#) [707-5020](#) [707-5028](#) [71.350.2428.0](#) [71918-208LF](#) [71961-016LF](#) [733-134](#) [733-162](#) [754199-000](#) [760-3052](#) [787-8014-00](#) [79531-3000](#) [FCN-360C032-B](#) [FCN-367T-T012/H](#) [FCN-723D010/2](#) [80.063.4001.1](#) [800-90-001-10-001000](#) [800-90-010-10-002000](#) [801-43-002-10-013000](#) [801-43-006-10-002000](#)