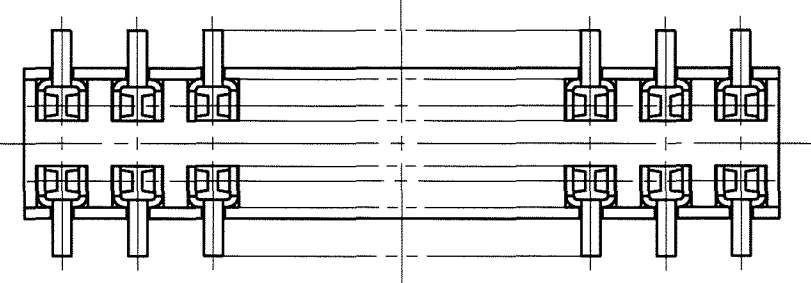
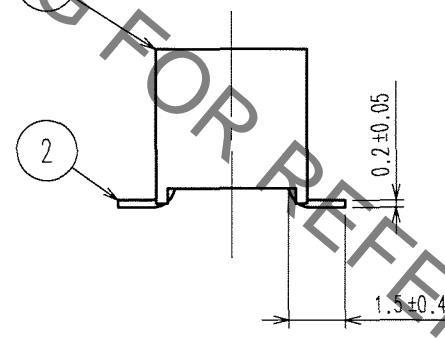
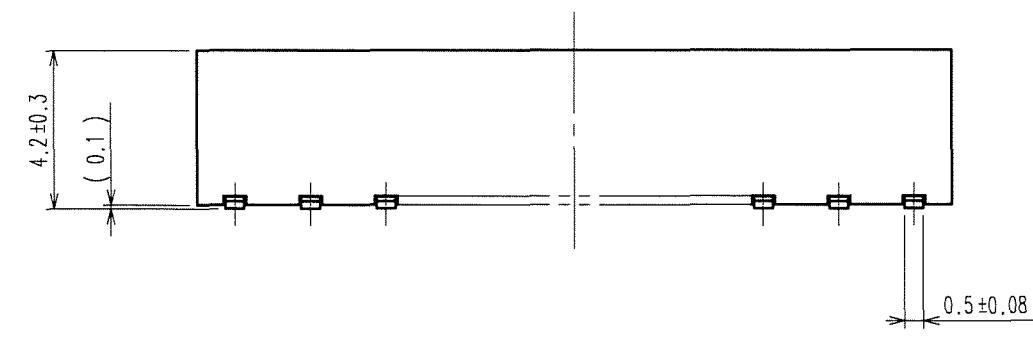
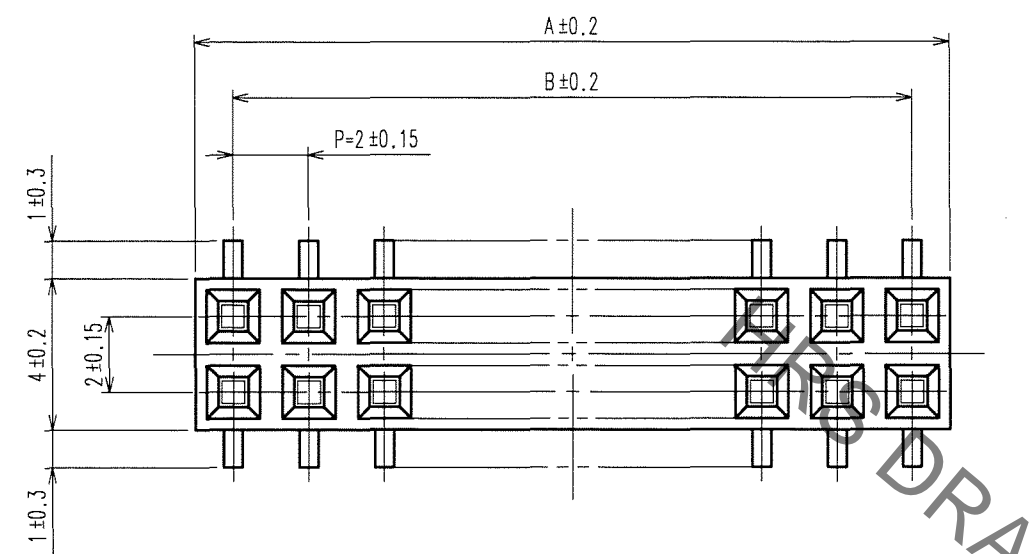
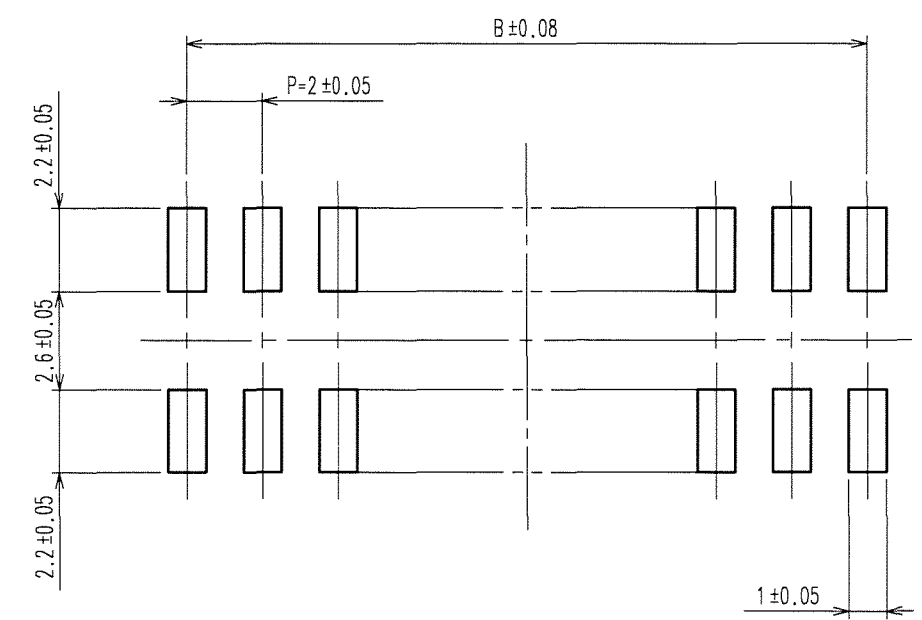


Oct.1.2021 Copyright 2021 HIROSE ELECTRIC CO., LTD. All Rights Reserved.
In case of consideration for using Automotive equipment / device which demand high reliability, kindly contact our sales window correspondents.

COUNT	DESCRIPTION OF REVISIONS	BY	CHKD	DATE	COUNT	DESCRIPTION OF REVISIONS	BY	CHKD	DATE
△				..	△				..
△				..	△				..
△				..	△				..

RECOMMENDED LAND PATTERN DIMENSION OF PCB (MOUNTING SIDE)



PART No.	CODE No.	3	A	B
A3- 4DA-2SV(71)	CL621-1100-0-71	4	4	2
A3- 6DA-2SV(71)	CL621-1101-3-71	6	6	4
A3- 8DA-2SV(71)	CL621-1102-6-71	8	8	6
A3-10DA-2SV(71)	CL621-1103-9-71	10	10	8
A3-12DA-2SV(71)	CL621-1104-1-71	12	12	10
A3-14DA-2SV(71)	CL621-1105-4-71	14	14	12
A3-16DA-2SV(71)	CL621-1106-7-71	16	16	14
A3-20DA-2SV(71)	CL621-1108-2-71	20	20	18
A3-24DA-2SV(71)	CL621-1110-4-71	24	24	22
A3-28DA-2SV(71)	CL621-1112-0-71	28	28	26
A3-32DA-2SV(71)	CL621-1114-5-71	32	32	30

NOTE 1 LEAD CO-PLANARITY SHALL BE 0.15 MAX.
2 THE DIMENSIONS IN PARENTHESES ARE FOR REFERENCE.
3 NUMBER OF CONTACT.

TO
PCK

1	PPS	LIGHT BROWN / UL94 V-0	2	PHOSPHOR BRONZE	CONTACT AREA:GOLD 0.2μ m min. LEAD AREA:TIN-PLATING 1μ m min. UNDER PLATING:NICKEL 1μ m min.
NO.	MATERIAL	FINISH, REMARKS	NO.	MATERIAL	FINISH, REMARKS
CODE NO. (OLD)		DRAWN	DESIGNED	CHECKED	APPROVED
		A.SUZUKAWA	H. Nakamura	M. Ogawa	H. Okawa
		'06.05.09	'06.05.10	'06.05.10	'06.05.10
DRAWING NO.		PART NO.			
EDC3-082603-21		A3-*DA-2SV(71)			
SCALE		CODE NO.			
FREE		CL621			
UNITS		HIROSE ELECTRIC CO., LTD			
mm					

X-ON Electronics

Largest Supplier of Electrical and Electronic Components

Click to view similar products for [Headers & Wire Housings](#) category:

Click to view products by [Hirose](#) manufacturer:

Other Similar products are found below :

[892-18-020-10-001101](#) [58102-G61-06LF](#) [582553-1](#) [0009485154](#) [009176003701906](#) [0050291907](#) [LY20-4P-DT1-P1E-BR](#) [02.125.8002.8](#)
[609-3404](#) [61062-3](#) [622-0430](#) [622-3653LF](#) [63453-116](#) [636-1030](#) [636-1427](#) [636-3427](#) [636-4007](#) [641938-9](#) [641991-4](#) [644827-2](#) [65817-010LF](#)
[65817-015LF](#) [65863-015LF](#) [66207-023LF](#) [67095-007LF](#) [67601157](#) [68648-049](#) [70.362.1628.0](#) [70-4210](#) [70-4226B](#) [70-4853B](#) [707-5020](#) [707-](#)
[5028](#) [71.350.2428.0](#) [71918-208LF](#) [71961-016LF](#) [733-134](#) [733-162](#) [754199-000](#) [760-3052](#) [787-8014-00](#) [79531-3000](#) [FCN-360C032-B](#) [FCN-](#)
[367T-T012/H](#) [FCN-723D010/2](#) [80.063.4001.1](#) [800-90-001-10-001000](#) [800-90-010-10-002000](#) [801-43-002-10-013000](#) [801-43-006-10-002000](#)