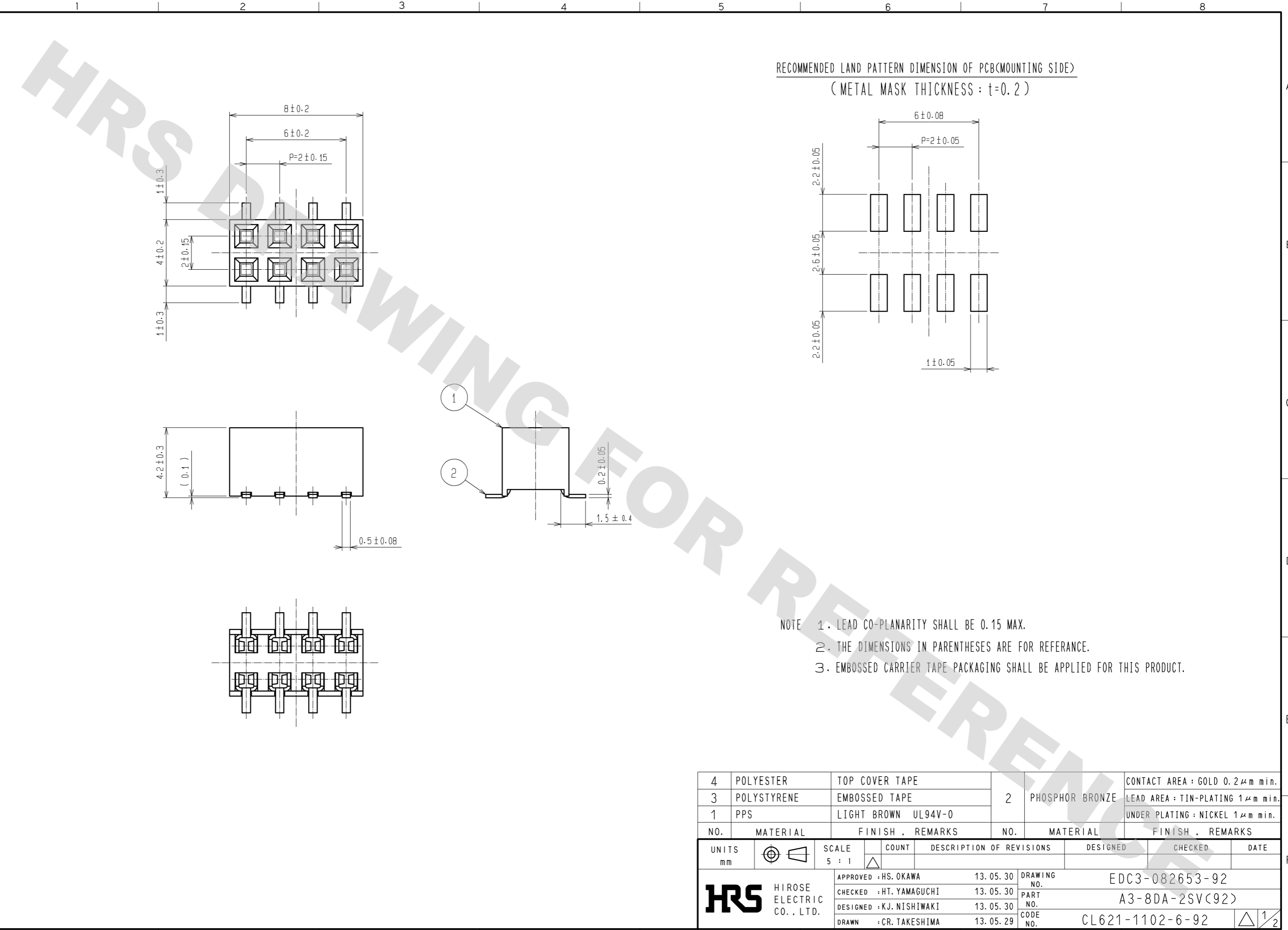


DRAWING FOR REFERENCE: This is subject to change without notice  
12/05/2013



RECOMMENDED LAND PATTERN DIMENSION OF PCB(MOUNTING SIDE)  
(METAL MASK THICKNESS : t=0.2)

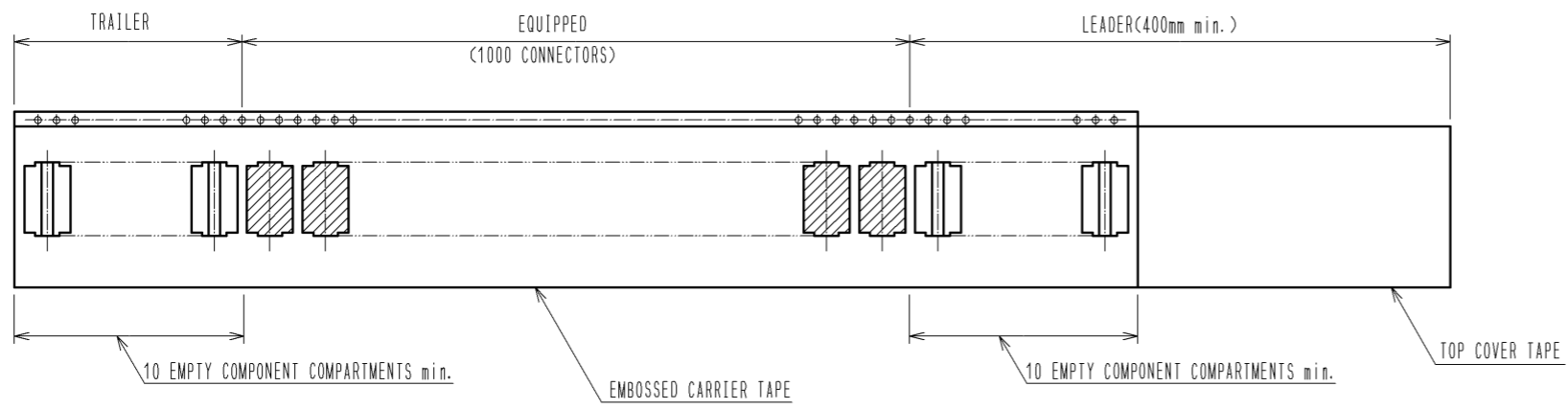
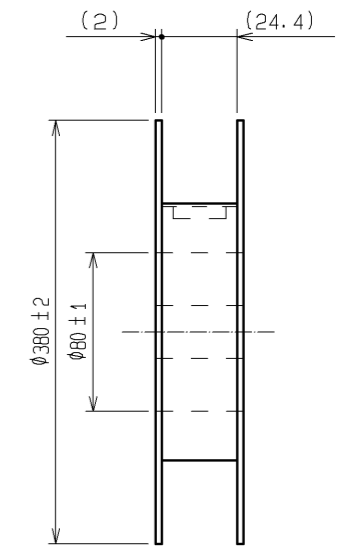
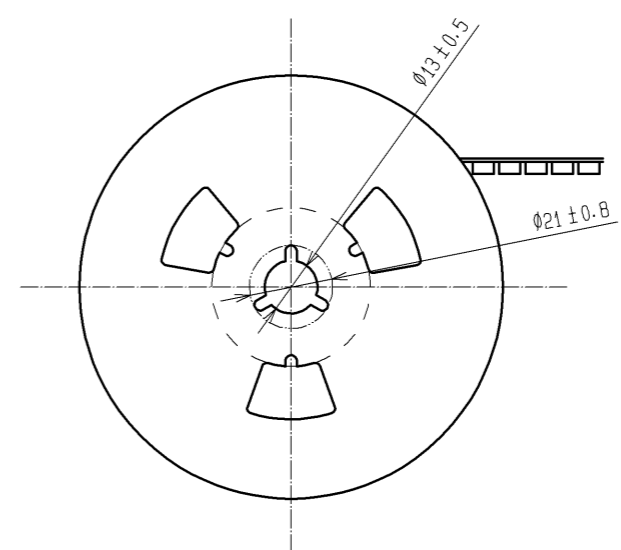
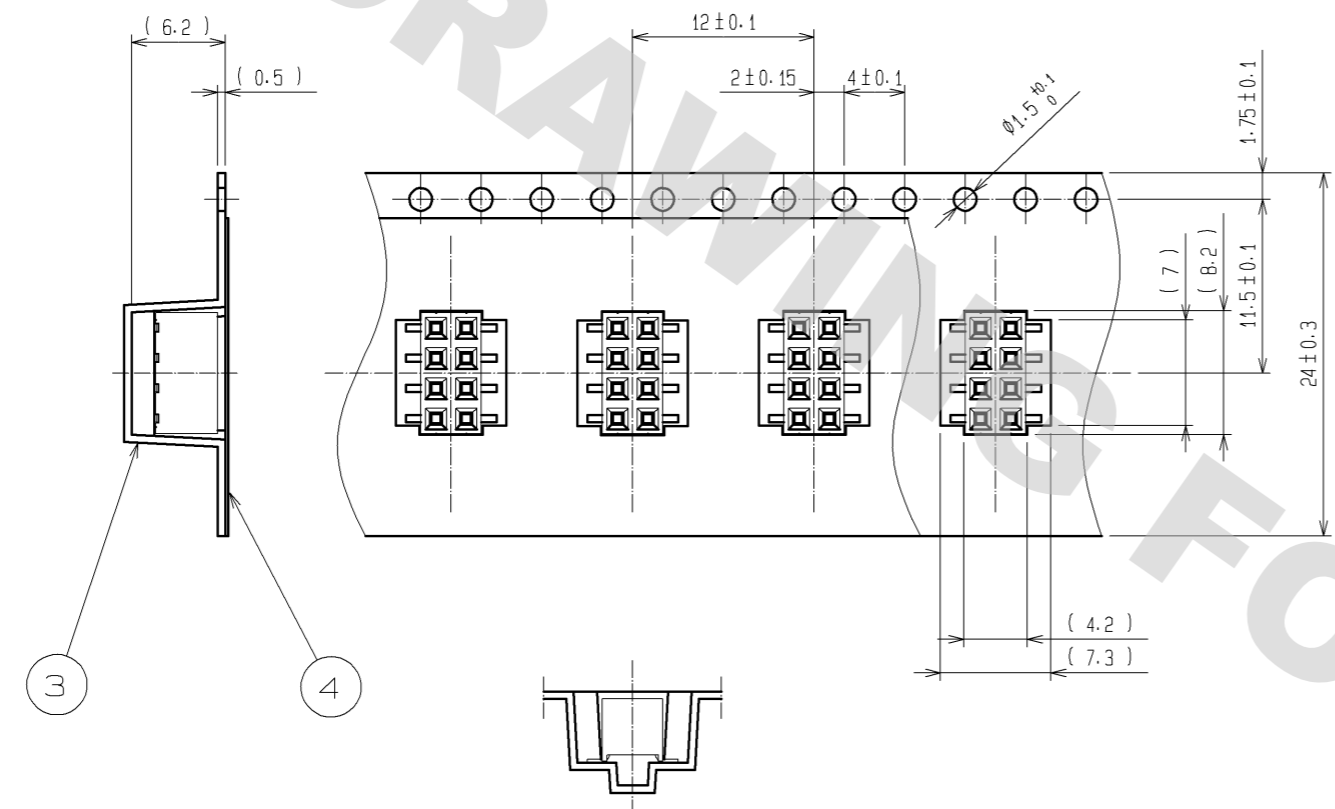
- NOTE 1. LEAD CO-PLANARITY SHALL BE 0.15 MAX.  
2. THE DIMENSIONS IN PARENTHESES ARE FOR REFERENCE.  
3. EMBOSSED CARRIER TAPE PACKAGING SHALL BE APPLIED FOR THIS PRODUCT.

4	POLYESTER	TOP COVER TAPE					CONTACT AREA : GOLD 0.2 μm min.	
3	POLYSTYRENE	EMBOSSED TAPE	2	PHOSPHOR BRONZE			LEAD AREA : TIN-PLATING 1 μm min.	
1	PPS	LIGHT BROWN UL94V-0					UNDER PLATING : NICKEL 1 μm min.	
NO.	MATERIAL	FINISH . REMARKS	NO.	MATERIAL	FINISH . REMARKS			
UNITS	mm	SCALE	5 : 1	COUNT	DESCRIPTION OF REVISIONS	DESIGNED	CHECKED	DATE
<b>HRS</b> HIROSE ELECTRIC CO., LTD.		APPROVED :	HS. OKAWA	13. 05. 30	DRAWING NO.	EDC3-082653-92		
		CHECKED :	HT. YAMAGUCHI	13. 05. 30	PART NO.	A3-8DA-2SV(92)		
		DESIGNED :	KJ. NISHIWAKI	13. 05. 30	CODE NO.	CL621-1102-6-92		
		DRAWN :	CR. TAKESHIMA	13. 05. 29				

DRAWING FOR PACKING(2:1)

UNREELING DIRECTION  


REEL DIMENSION(FREE)



NOTE 1. 1 REEL : 1000 CONNECTORS.  
 2. THE DIMENSIONS IN PARENTHESES ARE FOR REFERENCE.

<b>HRS</b>	DRAWING NO.	EDC3-082653-92
	PART NO.	A3-8DA-2SV(92)
	CODE NO.	CL621-1102-6-92
		△ 2/2

DRAWING FOR REFERENCE: This is subject to change without notice  
 12/05/2013

## X-ON Electronics

Largest Supplier of Electrical and Electronic Components

*Click to view similar products for [Headers & Wire Housings](#) category:*

*Click to view products by [Hirose](#) manufacturer:*

Other Similar products are found below :

[892-18-020-10-001101](#) [58102-G61-06LF](#) [582553-1](#) [0009485154](#) [009176003701906](#) [0050291907](#) [LY20-4P-DT1-P1E-BR](#) [02.125.8002.8](#)  
[609-3404](#) [61062-3](#) [622-0430](#) [622-3653LF](#) [63453-116](#) [636-1030](#) [636-1427](#) [636-3427](#) [636-4007](#) [641938-9](#) [641991-4](#) [644827-2](#) [65817-010LF](#)  
[65817-015LF](#) [65863-015LF](#) [66207-023LF](#) [67095-007LF](#) [67601157](#) [68648-049](#) [70.362.1628.0](#) [70-4210](#) [70-4226B](#) [70-4853B](#) [707-5020](#) [707-5028](#) [71.350.2428.0](#) [71918-208LF](#) [71961-016LF](#) [733-134](#) [733-162](#) [754199-000](#) [760-3052](#) [787-8014-00](#) [79531-3000](#) [FCN-360C032-B](#) [FCN-367T-T012/H](#) [FCN-723D010/2](#) [80.063.4001.1](#) [800-90-001-10-001000](#) [800-90-010-10-002000](#) [801-43-002-10-013000](#) [801-43-006-10-002000](#)