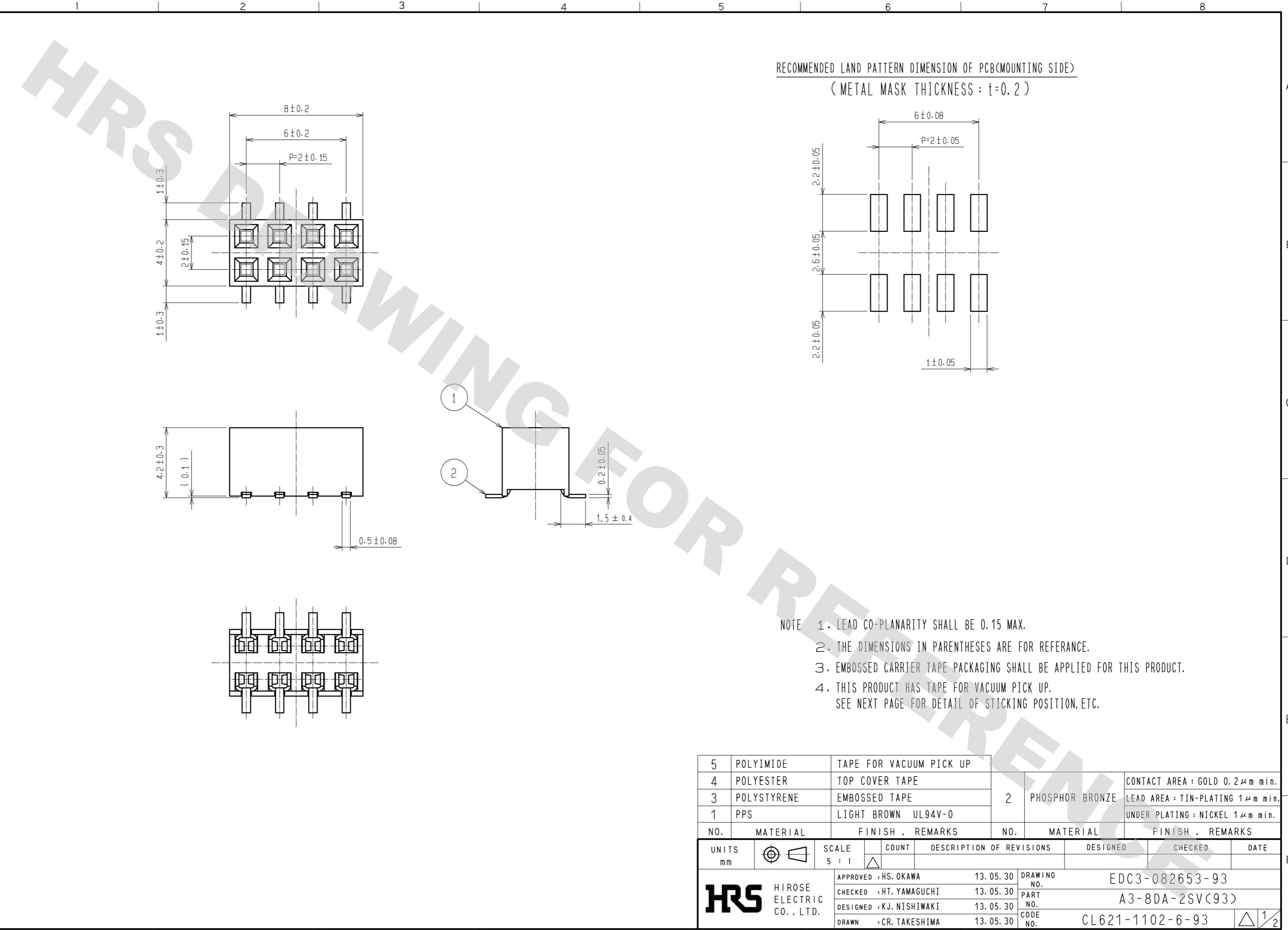


DRAWING FOR REFERENCE: This is subject to change without notice  
12/05/2013



RECOMMENDED LAND PATTERN DIMENSION OF PCB(MOUNTING SIDE)  
(METAL MASK THICKNESS : t=0.2)

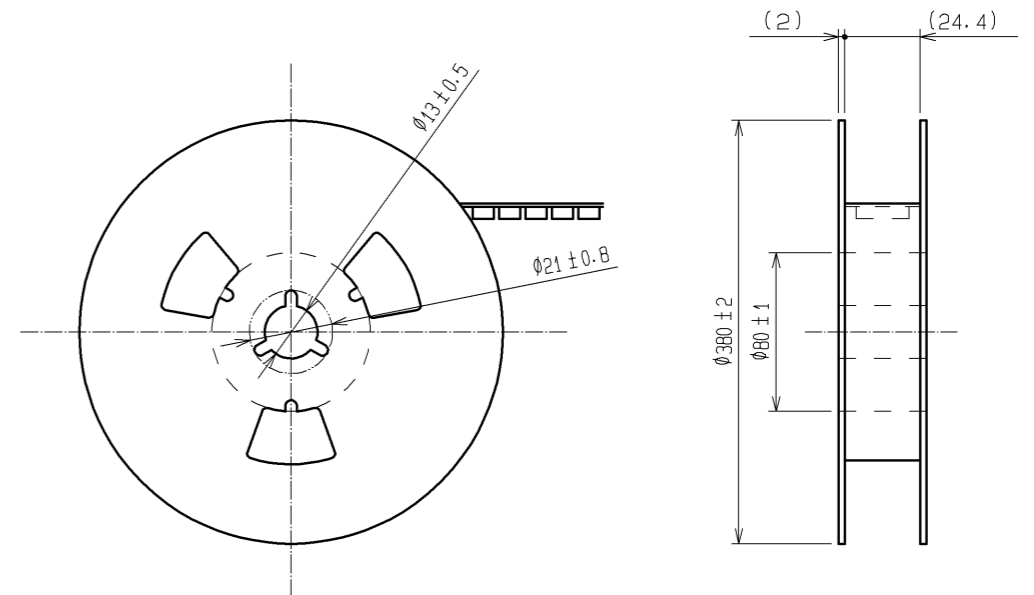
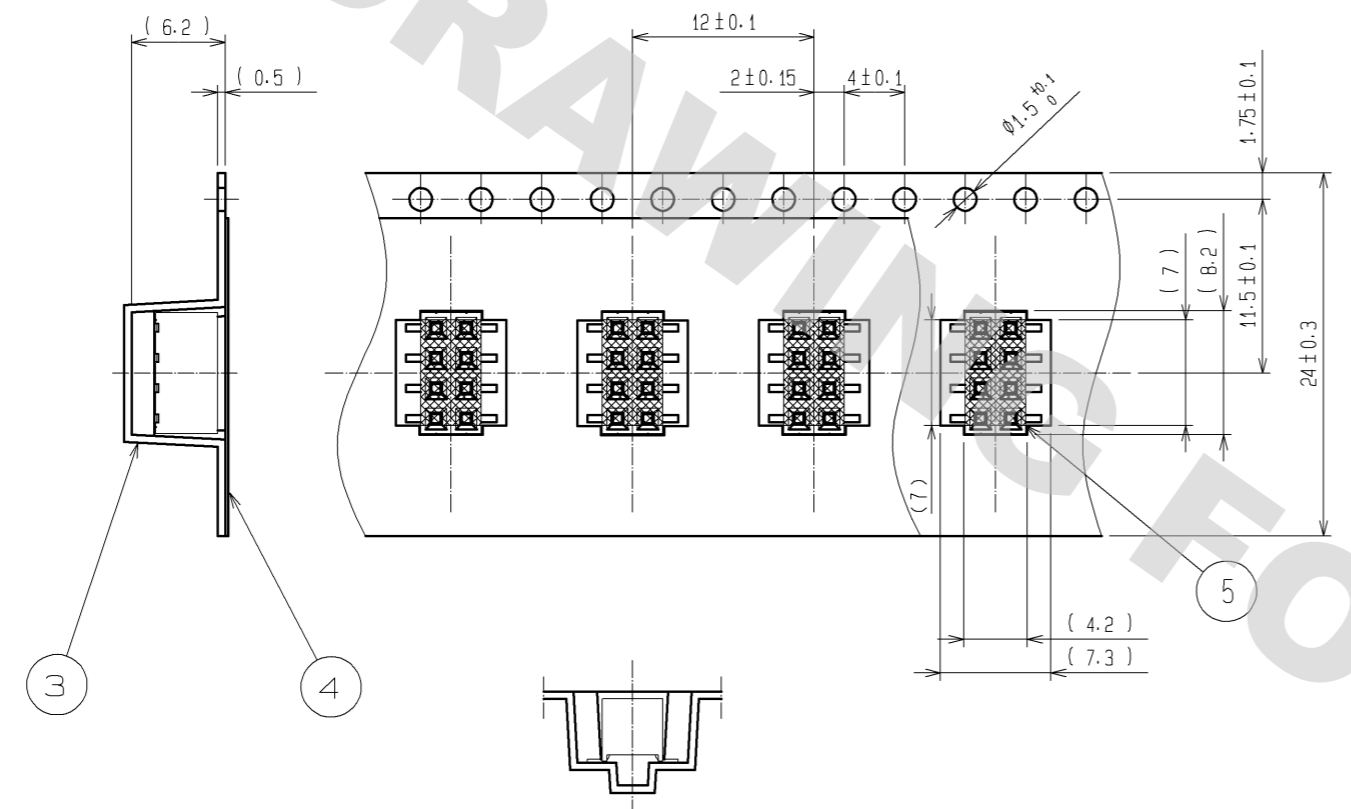
- NOTE
1. LEAD CO-PLANARITY SHALL BE 0.15 MAX.
  2. THE DIMENSIONS IN PARENTHESES ARE FOR REFERENCE.
  3. EMBOSSED CARRIER TAPE PACKAGING SHALL BE APPLIED FOR THIS PRODUCT.
  4. THIS PRODUCT HAS TAPE FOR VACUUM PICK UP.  
SEE NEXT PAGE FOR DETAIL OF STICKING POSITION, ETC.

5	POLYIMIDE	TAPE FOR VACUUM PICK UP					
4	POLYESTER	TOP COVER TAPE					
3	POLYSTYRENE	EMBOSSED TAPE	2	PHOSPHOR BRONZE			CONTACT AREA : GOLD 0.2μm min.
1	PPS	LIGHT BROWN UL94V-0					LEAD AREA : TIN-PLATING 1μm min.
							UNDER PLATING : NICKEL 1μm min.
NO.	MATERIAL	FINISH . REMARKS	NO.	MATERIAL	FINISH . REMARKS		
UNITS	mm	SCALE	5 : 1	COUNT	DESCRIPTION OF REVISIONS	DESIGNED	CHECKED
				APPROVED : HS. OKAWA 13. 05. 30		DRAWING NO. EDC3-082653-93	
				CHECKED : HT. YAMAGUCHI 13. 05. 30		PART NO. A3-8DA-2SV(93)	
				DESIGNED : KJ. NISHIWAKI 13. 05. 30		CODE NO. CL621-1102-6-93	
				DRAWN : CR. TAKESHIMA 13. 05. 30			
						1/2	

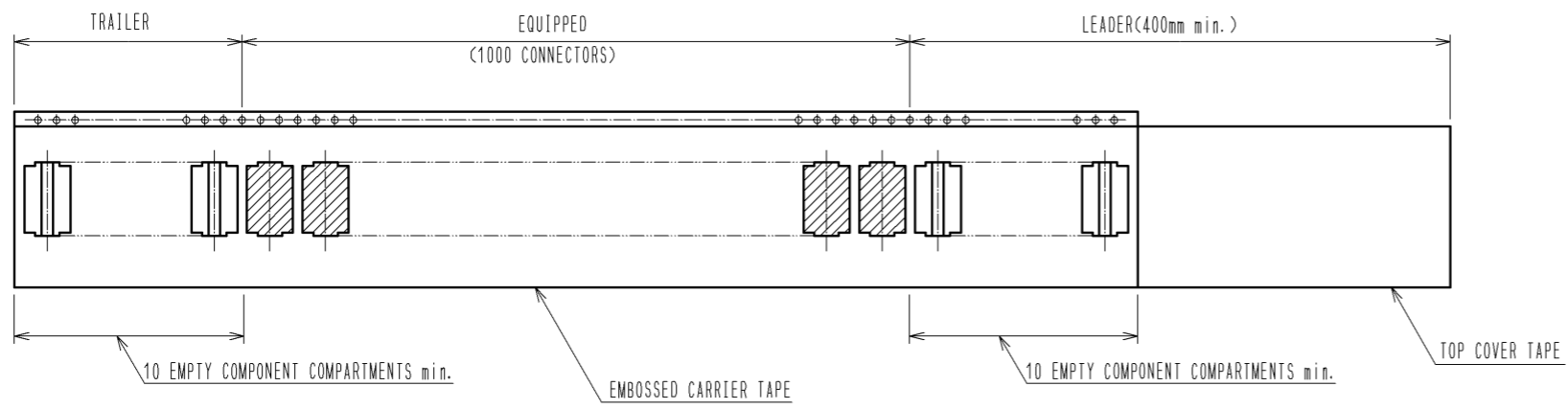
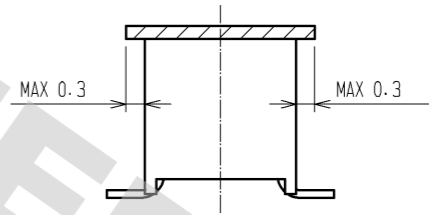
DRAWING FOR PACKING(2:1)

UNREELING DIRECTION

REEL DIMENSION(FREE)



DETAIL OF TAPE FOR VACUUM PICK UP(5:1)



- NOTE
1. REEL : 1000 CONNECTORS.
  2. THE DIMENSIONS IN PARENTHESSES ARE FOR REFERENCE.
  3. REMOVE THE VACUUM PICK UP TAPE AFTER MOUNTING THE CONNECTOR.

<b>HRS</b>	DRAWING NO.	EDC3-082653-93
	PART NO.	A3-8DA-2SV(93)
	CODE NO.	CL621-1102-6-93
		△ 2/2

DRAWING FOR REFERENCE: This is subject to change without notice  
12/05/2013

## X-ON Electronics

Largest Supplier of Electrical and Electronic Components

*Click to view similar products for [Headers & Wire Housings](#) category:*

*Click to view products by [Hirose](#) manufacturer:*

Other Similar products are found below :

[892-18-020-10-001101](#) [58102-G61-06LF](#) [582553-1](#) [0009485154](#) [009176003701906](#) [0050291907](#) [LY20-4P-DT1-P1E-BR](#) [02.125.8002.8](#)  
[609-3404](#) [61062-3](#) [622-0430](#) [622-3653LF](#) [63453-116](#) [636-1030](#) [636-1427](#) [636-3427](#) [636-4007](#) [641938-9](#) [641991-4](#) [644827-2](#) [65817-010LF](#)  
[65817-015LF](#) [65863-015LF](#) [66207-023LF](#) [67095-007LF](#) [67601157](#) [68648-049](#) [70.362.1628.0](#) [70-4210](#) [70-4226B](#) [70-4853B](#) [707-5020](#) [707-](#)  
[5028](#) [71.350.2428.0](#) [71918-208LF](#) [71961-016LF](#) [733-134](#) [733-162](#) [754199-000](#) [760-3052](#) [787-8014-00](#) [79531-3000](#) [FCN-360C032-B](#) [FCN-](#)  
[367T-T012/H](#) [FCN-723D010/2](#) [80.063.4001.1](#) [800-90-001-10-001000](#) [800-90-010-10-002000](#) [801-43-002-10-013000](#) [801-43-006-10-002000](#)