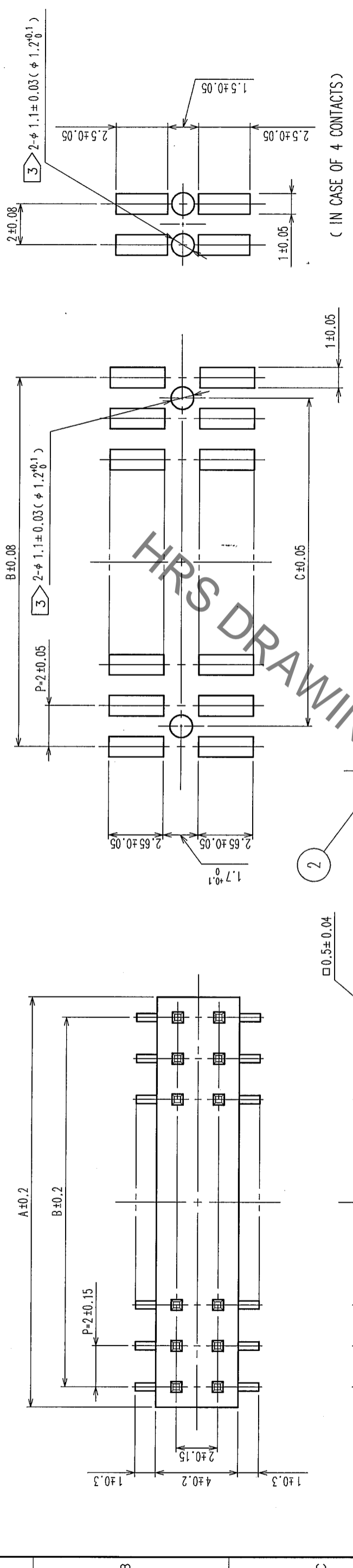
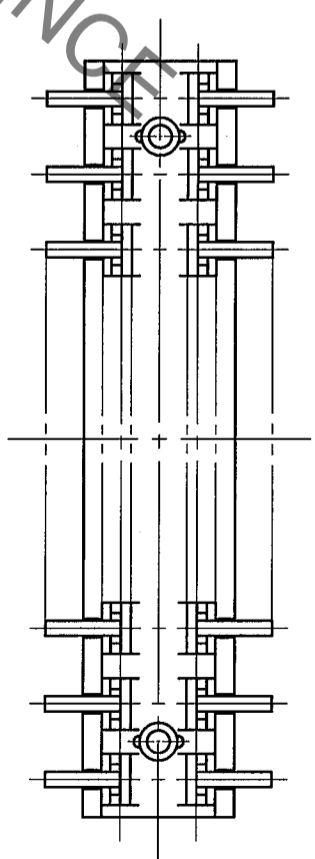
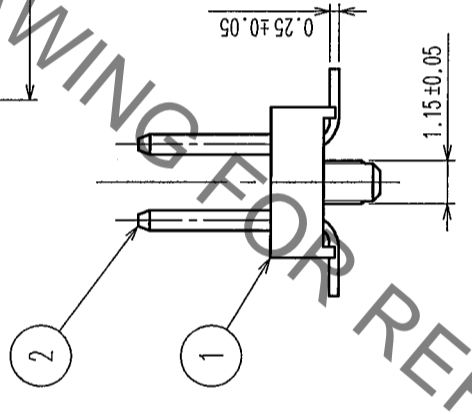


| COUNT | DESCRIPTION OF REVISIONS | BY | CHKD | DATE | COUNT | DESCRIPTION OF REVISIONS | BY | CHKD | DATE |
|-------|--------------------------|----|------|------|-------|--------------------------|----|------|------|
| △ | | | | | △ | | | | |
| △ | | | | | △ | | | | |
| △ | | | | | △ | | | | |

RECOMMENDED PC BOARD LAYOUT



| PART No. | CODE No. | A | B | C |
|------------------|-----------------|----|----|----|
| A3A-4PA-2SV(71) | CL621-1040-0-71 | 4 | 2 | 2 |
| A3A-6PA-2SV(71) | CL621-1041-3-71 | 6 | 4 | 2 |
| A3A-8PA-2SV(71) | CL621-1042-6-71 | 8 | 6 | 4 |
| A3A-10PA-2SV(71) | CL621-1043-9-71 | 10 | 8 | 6 |
| A3A-12PA-2SV(71) | CL621-1044-1-71 | 12 | 10 | 8 |
| A3A-14PA-2SV(71) | CL621-1045-4-71 | 14 | 12 | 10 |
| A3A-16PA-2SV(71) | CL621-1046-7-71 | 16 | 14 | 12 |
| A3A-20PA-2SV(71) | CL621-1048-2-71 | 20 | 18 | 16 |
| A3A-24PA-2SV(71) | CL621-1050-4-71 | 24 | 22 | 20 |
| A3A-28PA-2SV(71) | CL621-1052-0-71 | 28 | 26 | 24 |
| A3A-32PA-2SV(71) | CL621-1054-5-71 | 32 | 30 | 28 |
| A3A-44PA-2SV(71) | CL621-1055-8-71 | 44 | 44 | 40 |
| A3A-50PA-2SV(71) | CL621-1056-0-71 | 50 | 50 | 46 |



| | | | | |
|-------------------------------|--|-----------------|----------|--|
| 1 | POLYPHENYLENE SULFIDE LIGHT BROWN / UL94 V-0 | 2 | BRASS | CONTACT AREA: GOLD 0.2μ m min. MOUNTING AREA: GOLD FLASH UNDER PLATING: NICKEL 2μ m min. |
| NO. | MATERIAL | FINISH, REMARKS | NO. | MATERIAL |
| CODE NO. (OLD) | | FINISH, REMARKS | DESIGNED | CHECKED |
| DRAWING NO. EDC3-082601-21 | | FINISH, REMARKS | APPROVED | RELEASED |
| SCALE FREE | | FINISH, REMARKS | REMARKS | |
| UNITS mm | | FINISH, REMARKS | REMARKS | |
| PART NO. A3A-*PA-2SV(71) | | FINISH, REMARKS | | |
| CODE NO. CL621 | | FINISH, REMARKS | | |

注 1 LEAD CO-PLANARITY SHALL BE 0.15 MAX.
 2 THE DIMENSIONS IN PARENTHESES ARE FOR REFERENCE.
 3 IN CASE OF THE AUTOMATED MOUNTING, RECOMMENDED HOLE DIAMETER OF BOSS SHALL BE 1.2±0.1.
 4 NUMBER OF CONTACT.

| | |
|-----|--|
| TO | |
| PCK | |
| | |
| | |

X-ON Electronics

Largest Supplier of Electrical and Electronic Components

Click to view similar products for [Headers & Wire Housings](#) category:

Click to view products by [Hirose](#) manufacturer:

Other Similar products are found below :

[892-18-020-10-001101](#) [58102-G61-06LF](#) [582553-1](#) [0009485154](#) [009176003701906](#) [0050291907](#) [LY20-4P-DT1-P1E-BR](#) [02.125.8002.8](#)
[609-3404](#) [61062-3](#) [622-0430](#) [622-3653LF](#) [63453-116](#) [636-1030](#) [636-1427](#) [636-3427](#) [636-4007](#) [641938-9](#) [641991-4](#) [644827-2](#) [65817-010LF](#)
[65817-015LF](#) [65863-015LF](#) [66207-023LF](#) [67095-007LF](#) [67601157](#) [68648-049](#) [70.362.1628.0](#) [70-4210](#) [70-4226B](#) [70-4853B](#) [707-5020](#) [707-](#)
[5028](#) [71.350.2428.0](#) [71918-208LF](#) [71961-016LF](#) [733-134](#) [733-162](#) [754199-000](#) [760-3052](#) [787-8014-00](#) [79531-3000](#) [FCN-360C032-B](#) [FCN-](#)
[367T-T012/H](#) [FCN-723D010/2](#) [80.063.4001.1](#) [800-90-001-10-001000](#) [800-90-010-10-002000](#) [801-43-002-10-013000](#) [801-43-006-10-002000](#)