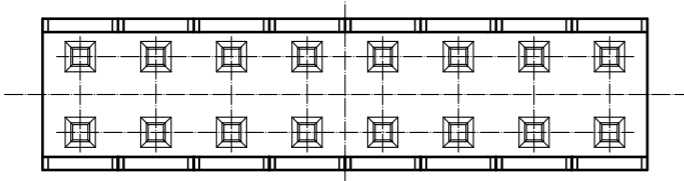
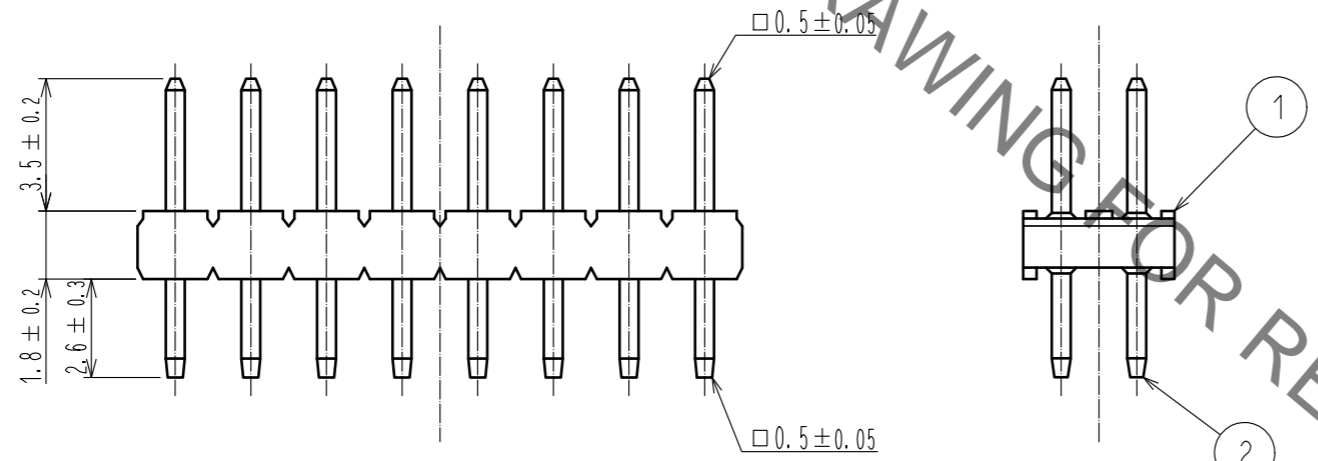
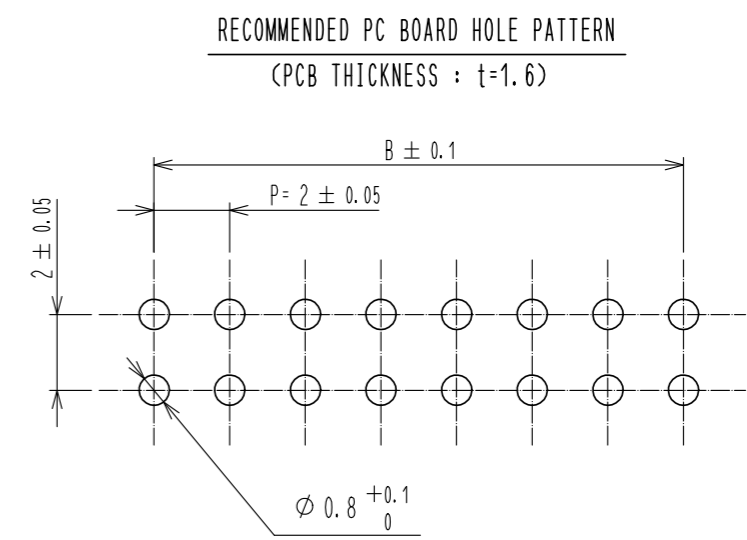
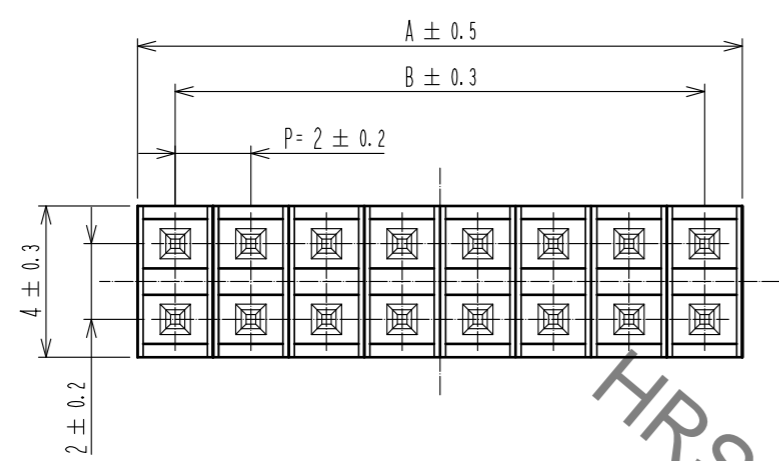


Jul.1.2021 Copyright 2021 HIROSE ELECTRIC CO., LTD. All Rights Reserved.
 In case of consideration for using Automotive equipment / device which demand high reliability, kindly contact our sales window correspondents.



PART NO.	CODE NO.	PIN	A	B
A3B- 4PA-2DSA(51)	CL621-0401-1-51	4	4	2
A3B- 6PA-2DSA(51)	CL621-0402-4-51	6	6	4
A3B- 8PA-2DSA(51)	CL621-0403-7-51	8	8	6
A3B-10PA-2DSA(51)	CL621-0404-0-51	10	10	8
A3B-12PA-2DSA(51)	CL621-0405-2-51	12	12	10
A3B-14PA-2DSA(51)	CL621-0406-5-51	14	14	12
A3B-16PA-2DSA(51)	CL621-0407-8-51	16	16	14
A3B-18PA-2DSA(51)	CL621-0408-0-51	18	18	16
A3B-20PA-2DSA(51)	CL621-0409-3-51	20	20	18
A3B-22PA-2DSA(51)	CL621-0410-2-51	22	22	20
A3B-24PA-2DSA(51)	CL621-0411-5-51	24	24	22
A3B-26PA-2DSA(51)	CL621-0412-8-51	26	26	24
A3B-28PA-2DSA(51)	CL621-0413-0-51	28	28	26
A3B-30PA-2DSA(51)	CL621-0414-3-51	30	30	28
A3B-32PA-2DSA(51)	CL621-0415-6-51	32	32	30
A3B-44PA-2DSA(51)	CL621-0421-9-51	44	44	42
A3B-50PA-2DSA(51)	CL621-0424-7-51	50	50	48

1	POLYAMIDE	BLACK	UL94V-0	2	BRASS	CONTACT AREA : GOLD FLASH DIP AREA : TIN-PLATING 2μm UNDER PLATING : NICKEL 2μm	
NO.	MATERIAL	FINISH	REMARKS	NO.	MATERIAL	FINISH . REMARKS	
UNITS mm		SCALE 5 : 1	COUNT 	DESCRIPTION OF REVISIONS	DESIGNED	CHECKED	DATE
HRS HIROSE ELECTRIC CO., LTD.		APPROVED : NH. NAKATA	17. 04. 10	DRAWING NO.	EDC-375929-00-00		
		CHECKED : HT. YAMAGUCHI	17. 04. 10	PART NO.	A3B- *PA- 2DSA(51)		
		DESIGNED : HR. NAGAYASU	17. 04. 10	CODE NO.	CL621		
		DRAWN : HR. NAGAYASU	17. 04. 10		1/1		

X-ON Electronics

Largest Supplier of Electrical and Electronic Components

Click to view similar products for [Headers & Wire Housings](#) category:

Click to view products by [Hirose](#) manufacturer:

Other Similar products are found below :

[892-18-020-10-001101](#) [58102-G61-06LF](#) [582553-1](#) [0009485154](#) [009176003701906](#) [0050291907](#) [LY20-4P-DT1-P1E-BR](#) [02.125.8002.8](#)
[609-3404](#) [61062-3](#) [622-0430](#) [622-3653LF](#) [63453-116](#) [636-1030](#) [636-1427](#) [636-3427](#) [636-4007](#) [641938-9](#) [641991-4](#) [644827-2](#) [65817-010LF](#)
[65817-015LF](#) [65863-015LF](#) [66207-023LF](#) [67095-007LF](#) [67601157](#) [68648-049](#) [70.362.1628.0](#) [70-4210](#) [70-4226B](#) [70-4853B](#) [707-5020](#) [707-](#)
[5028](#) [71.350.2428.0](#) [71918-208LF](#) [71961-016LF](#) [733-134](#) [733-162](#) [754199-000](#) [760-3052](#) [787-8014-00](#) [79531-3000](#) [FCN-360C032-B](#) [FCN-](#)
[367T-T012/H](#) [FCN-723D010/2](#) [80.063.4001.1](#) [800-90-001-10-001000](#) [800-90-010-10-002000](#) [801-43-002-10-013000](#) [801-43-006-10-002000](#)