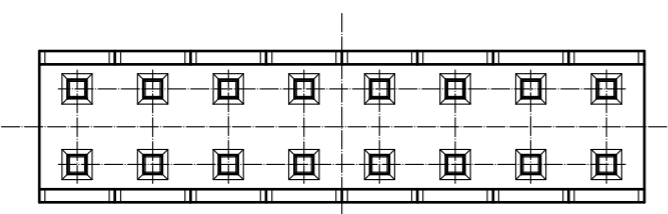
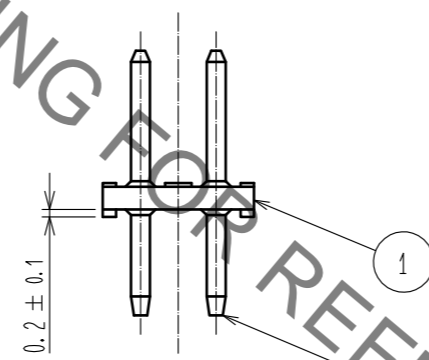
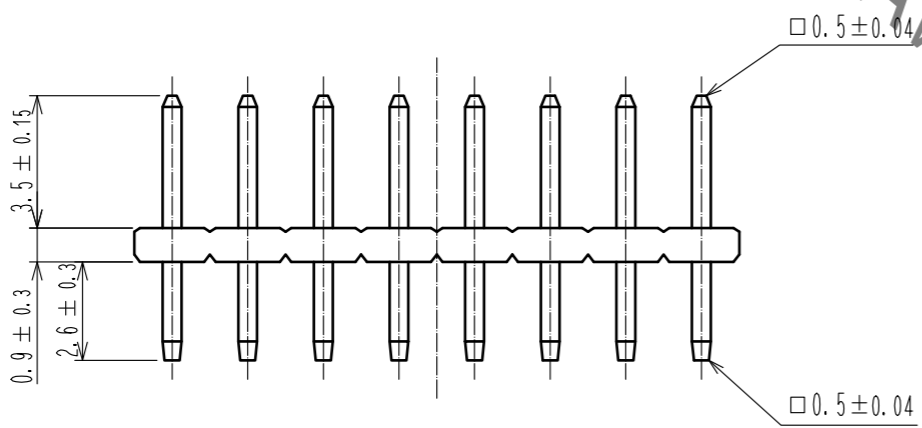
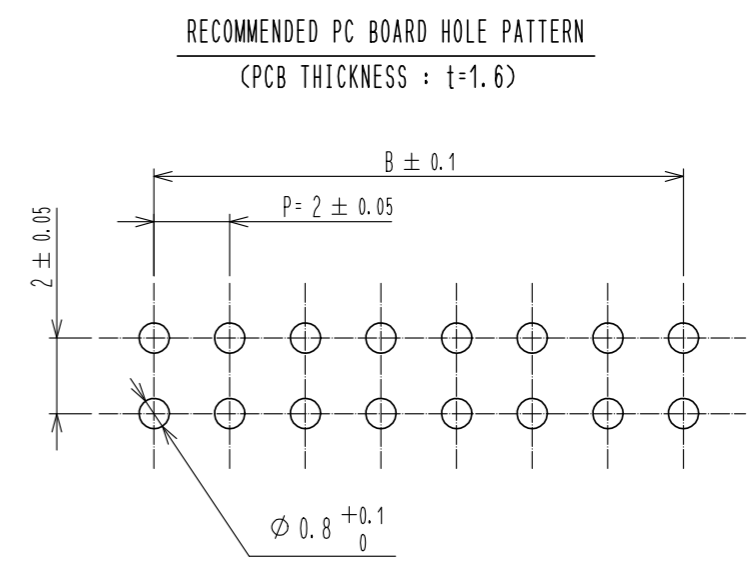
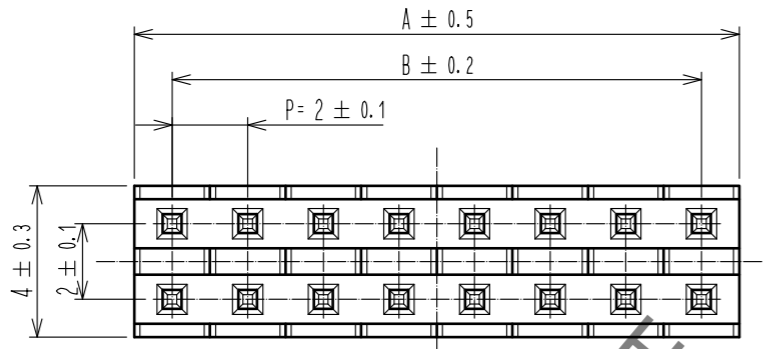


Jul.1.2021 Copyright 2021 HIROSE ELECTRIC CO., LTD. All Rights Reserved.  
 In case of consideration for using Automotive equipment / device which demand high reliability, kindly contact our sales window correspondents.



PART NO.	CODE NO.	PIN	A	B
A3C- 2P-2DSA(30)	CL621-0601-0-30	2	2	-
A3C- 4P-2DSA(30)	CL621-0602-3-30	4	4	2
A3C- 6P-2DSA(30)	CL621-0603-6-30	6	6	4
A3C- 8P-2DSA(30)	CL621-0604-9-30	8	8	6
A3C-10P-2DSA(30)	CL621-0605-1-30	10	10	8
A3C-12P-2DSA(30)	CL621-0606-4-30	12	12	10
A3C-14P-2DSA(30)	CL621-0607-7-30	14	14	12
A3C-16P-2DSA(30)	CL621-0608-0-30	16	16	14
A3C-18P-2DSA(30)	CL621-0609-2-30	18	18	16
A3C-20P-2DSA(30)	CL621-0610-1-30	20	20	18
A3C-24P-2DSA(30)	CL621-0612-7-30	24	24	22
A3C-26P-2DSA(30)	CL621-0613-0-30	26	26	24
A3C-28P-2DSA(30)	CL621-0614-2-30	28	28	26
A3C-32P-2DSA(30)	CL621-0615-5-30	32	32	30
A3C-44P-2DSA(30)	CL621-0622-0-30	44	44	42
A3C-48P-2DSA(30)	CL621-0625-9-30	48	48	46
A3C-50P-2DSA(30)	CL621-0628-7-30	50	50	48

1	POLYAMIDE	BLACK	UL94V-0	2	BRASS	CONTACT AREA : GOLD 0.2μm		
						DIP AREA : GOLD FLASH		
						UNDER PLATING : NICKEL 2μm		
NO.	MATERIAL	FINISH	REMARKS	NO.	MATERIAL	FINISH	REMARKS	
UNITS	mm	SCALE	5 : 1	COUNT	DESCRIPTION OF REVISIONS	DESIGNED	CHECKED	DATE
<b>HRS</b> HIROSE ELECTRIC CO., LTD.		APPROVED	: NH. NAKATA	17. 04. 10	DRAWING NO.		EDC-375930-00-00	
		CHECKED	: HT. YAMAGUCHI	17. 04. 10	PART NO.		A3C- * P-2DSA(30)	
		DESIGNED	: HR. NAGAYASU	17. 04. 10	CODE NO.		CL621	
		DRAWN	: HR. NAGAYASU	17. 04. 10				

## X-ON Electronics

Largest Supplier of Electrical and Electronic Components

*Click to view similar products for [Headers & Wire Housings](#) category:*

*Click to view products by [Hirose](#) manufacturer:*

Other Similar products are found below :

[892-18-020-10-001101](#) [58102-G61-06LF](#) [582553-1](#) [0009485154](#) [009176003701906](#) [0050291907](#) [LY20-4P-DT1-P1E-BR](#) [02.125.8002.8](#)  
[609-3404](#) [61062-3](#) [622-0430](#) [622-3653LF](#) [63453-116](#) [636-1030](#) [636-1427](#) [636-3427](#) [636-4007](#) [641938-9](#) [641991-4](#) [644827-2](#) [65817-010LF](#)  
[65817-015LF](#) [65863-015LF](#) [66207-023LF](#) [67095-007LF](#) [67601157](#) [68648-049](#) [70.362.1628.0](#) [70-4210](#) [70-4226B](#) [70-4853B](#) [707-5020](#) [707-5028](#) [71.350.2428.0](#) [71918-208LF](#) [71961-016LF](#) [733-134](#) [733-162](#) [754199-000](#) [760-3052](#) [787-8014-00](#) [79531-3000](#) [FCN-360C032-B](#) [FCN-367T-T012/H](#) [FCN-723D010/2](#) [80.063.4001.1](#) [800-90-001-10-001000](#) [800-90-010-10-002000](#) [801-43-002-10-013000](#) [801-43-006-10-002000](#)