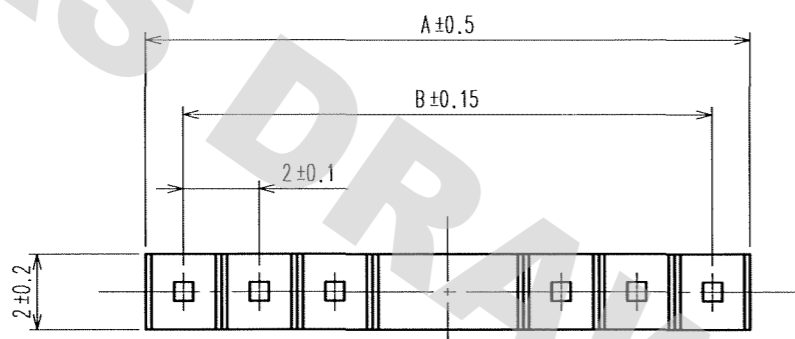


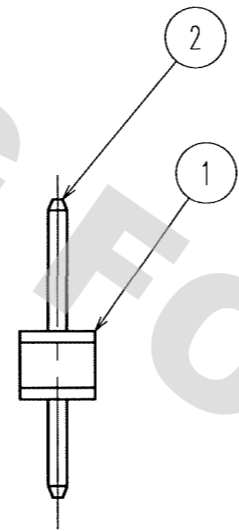
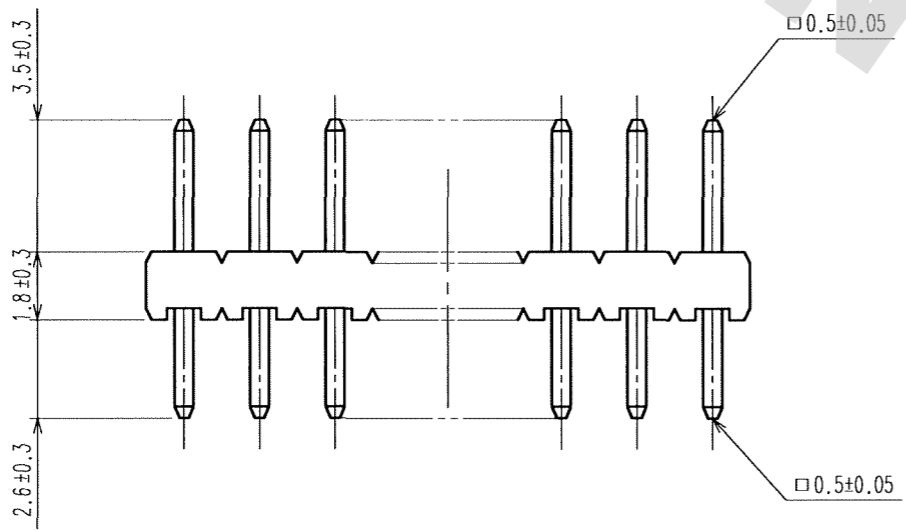
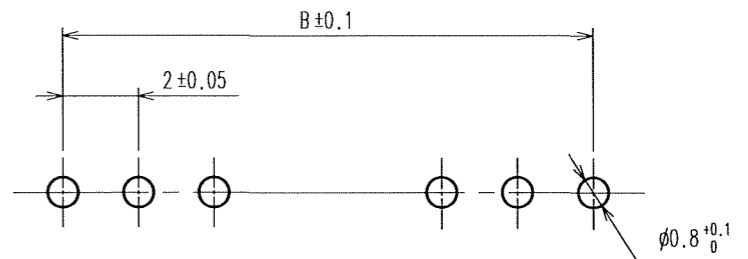
DRAWING FOR REFERENCE: This is subject to change without notice
08/11/2012

TO
PCK

COUNT	DESCRIPTION OF REVISIONS	BY	CHKD	DATE	COUNT	DESCRIPTION OF REVISIONS	BY	CHKD	DATE



RECOMMENDED PC BOARD HOLE PATTERN



PART No.	CODE No.	1	A	B
A4B- 2PA-2DSA (71)	CL622-0401-8-71	2	4	2
A4B- 3PA-2DSA (71)	CL622-0402-0-71	3	6	4
A4B- 4PA-2DSA (71)	CL622-0403-3-71	4	8	6
A4B- 5PA-2DSA (71)	CL622-0404-6-71	5	10	8
A4B- 6PA-2DSA (71)	CL622-0405-9-71	6	12	10
A4B- 7PA-2DSA (71)	CL622-0406-1-71	7	14	12
A4B- 8PA-2DSA (71)	CL622-0407-4-71	8	16	14
A4B- 9PA-2DSA (71)	CL622-0408-7-71	9	18	16
A4B-10PA-2DSA (71)	CL622-0409-0-71	10	20	18
A4B-12PA-2DSA (71)	CL622-0411-1-71	12	24	22
A4B-13PA-2DSA (71)	CL622-0412-4-71	13	26	24
A4B-14PA-2DSA (71)	CL622-0413-7-71	14	28	26
A4B-15PA-2DSA (71)	CL622-0414-0-71	15	30	28
A4B-16PA-2DSA (71)	CL622-0415-2-71	16	32	30

NOTES 1 NUMBER OF CONTACTS.

1	POLYAMIDE	BLACK	UL94V-0	2	BRASS	CONTACT AREA : GOLD FLASH DIP AREA : TIN-PLATING 2μm min. UNDER PLATING : NICKEL 2μm min.			
NO.	MATERIAL	FINISH, REMARKS		NO.	MATERIAL	FINISH, REMARKS			
CODE NO. (OLD) CL				DRAWN	DESIGNED	CHECKED	APPROVED	RELEASED	
				K.NAKAMURA	K.NAKAMURA	H. Ozawa	H. Ozawa		
				06.02.01	06.02.01	'06.02.01	'06.02.01		
SCALE		DRAWING NO.			PART NO.				
FREE		EDC3-154524-21			A4B- **PA-2DSA (71)				
UNITS		HRS HIROSE ELECTRIC CO., LTD			CODE NO.			CL622	
mm								1/1	

X-ON Electronics

Largest Supplier of Electrical and Electronic Components

Click to view similar products for [Headers & Wire Housings](#) category:

Click to view products by [Hirose](#) manufacturer:

Other Similar products are found below :

[892-18-020-10-001101](#) [58102-G61-06LF](#) [582553-1](#) [0009485154](#) [009176003701906](#) [0050291907](#) [LY20-4P-DT1-P1E-BR](#) [02.125.8002.8](#)
[609-3404](#) [61062-3](#) [622-0430](#) [622-3653LF](#) [63453-116](#) [636-1030](#) [636-1427](#) [636-3427](#) [636-4007](#) [641938-9](#) [641991-4](#) [644827-2](#) [65817-010LF](#)
[65817-015LF](#) [65863-015LF](#) [66207-023LF](#) [67095-007LF](#) [67601157](#) [68648-049](#) [70.362.1628.0](#) [70-4210](#) [70-4226B](#) [70-4853B](#) [707-5020](#) [707-5028](#) [71.350.2428.0](#) [71918-208LF](#) [71961-016LF](#) [733-134](#) [733-162](#) [754199-000](#) [760-3052](#) [787-8014-00](#) [79531-3000](#) [FCN-360C032-B](#) [FCN-367T-T012/H](#) [FCN-723D010/2](#) [80.063.4001.1](#) [800-90-001-10-001000](#) [800-90-010-10-002000](#) [801-43-002-10-013000](#) [801-43-006-10-002000](#)