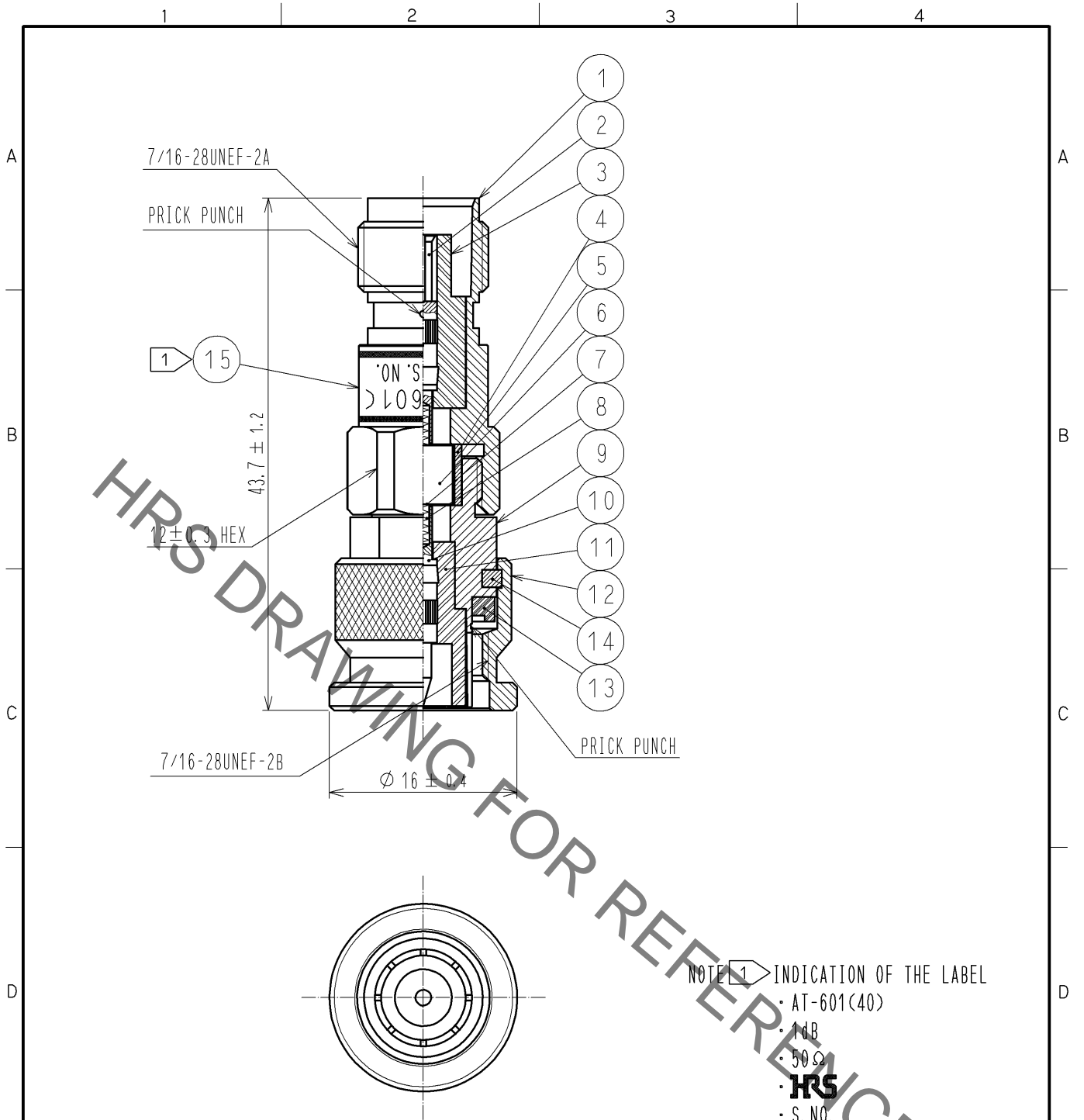


Jan.1.2022 Copyright 2022 HIROSE ELECTRIC CO., LTD. All Rights Reserved.
 In case of consideration for using Automotive equipment / device which demand high reliability, kindly contact our sales window correspondents.



8	PIANO WIRE						
7	BERYLLIUM COPPER	GOLD PLATING	15		LABEL		
6	ALUMINA		14	PHOSPHOR BRONZE	NICKEL PLATING		
5	BERYLLIUM COPPER	GOLD PLATING	13	SILICON RUBBER			
4	BRASS	NICKEL PLATING	12	BRASS	NICKEL PLATING		
3	PTFE		11	PTFE			
2	BERYLLIUM COPPER	GOLD PLATING	10	BRASS	GOLD PLATING		
1	BRASS	NICKEL PLATING	9	BRASS	NICKEL PLATING		
NO.	MATERIAL	FINISH .	REMARKS	NO.	MATERIAL	FINISH .	REMARKS

UNITS mm		SCALE 2 : 1	COUNT 	DESCRIPTION OF REVISIONS	DESIGNED	CHECKED	DATE
HIROSE ELECTRIC CO., LTD.		APPROVED : MT. SHIBUTANI	12. 01. 31	DRAWING NO.	EDC4-180503-01		
		CHECKED : KY. SHIMIZU	12. 01. 31	PART NO.	AT-601(40)		
		DESIGNED : TK. SAWAGUCHI	12. 01. 30	CODE NO.	CL354-0250-4-40		
		DRAWN : TK. SAWAGUCHI	12. 01. 30		1/1		

X-ON Electronics

Largest Supplier of Electrical and Electronic Components

Click to view similar products for [Attenuators - Interconnects](#) category:

Click to view products by [Hirose](#) manufacturer:

Other Similar products are found below :

[R411803119](#) [R413806115](#) [R413808000](#) [R413810115](#) [R413850115](#) [R414510000](#) [R414701000](#) [R415303000](#) [BNC-13](#) [R411800121](#)
[R411801121](#) [R412412124](#) [R412450000](#) [R413800000](#) [R413805000](#) [R413830000](#) [R413840115](#) [R414730000](#) [R415420000](#) [R415703000](#)
[R416010000](#) [R420003110](#) [R411801000](#) [R411815121](#) [R413305000](#) [R413801000](#) [R414520000](#) [R411808121](#) [R412500124](#) [R412414124](#)
[R412501124](#) [HMC-C584](#) [R413802000](#) [R412400124](#) [R411700124](#) [R417310130](#) [R411801119](#) [R412419124](#) [R411703124](#) [R412401124](#)
[R443131000](#) [R417130110](#) [R414700000](#) [R414505000](#) [R411802119](#) [R417720128](#) [R420706110](#) [R413811000](#) [R413803115](#) [R414501000](#)