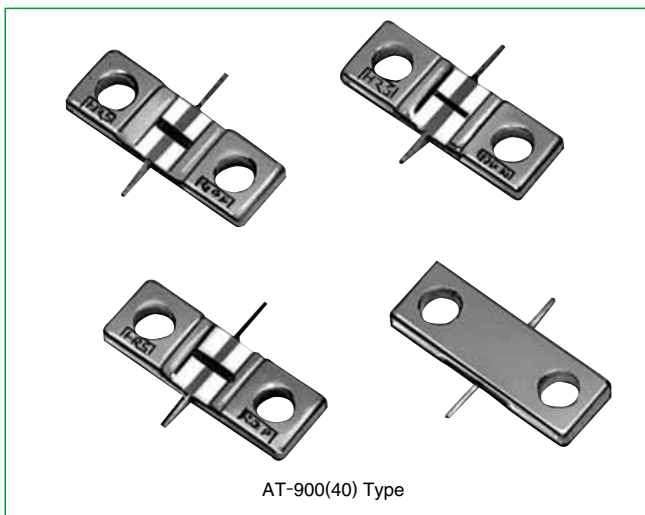


Stripline Mounting Fixed Attenuators (DC to 8 GHz)

AT-900 Series



■Features

1. Frequency Range from DC to 8 GHz

Although these attenuators are of the surface mount type, they offer superior high frequency characteristics from DC to 8 GHz.

2. Abundant Variations of Attenuators

Attenuation amounts are available in 11 types from 0 to 10 dB in 1 dB steps.

■Product Specifications

Ratings	Frequency Range (Note) Characteristic impedance Maximum Input Power (Note)	DC to 8.0 GHz 50 ohms 1 W	Operating temperature range Operating relative humidity	-10°C to +65°C 95% Max.
---------	--	---------------------------------	--	----------------------------

Note: The frequency range and the maximum input power will differ depending on the products.

Item	Standard	Conditions
1. Vibration	No electrical discontinuity of 1 μ s or more	Frequency of 10 to 2000 Hz, overall amplitude of 1.52 mm, acceleration of 98 m/s ² for 2 hours in each of 3 directions
2. Shock	No damage, cracks, or parts dislocation	Acceleration of 490 m/s ² , sine half-wave waveform, 3 cycles in each of the 3 axis
3. Temperature cycle	No damage, cracks, or parts dislocation	Temperature: -55°C → +15°C to +35°C → +85°C → +15°C to +35°C Time: 30 → 15 max. → 30 → 15 max. (Minutes) 5 cycles

●The test method conforms to MIL-STD-202.

■Materials

Part	Material	Finish
Connector Body	Brass	Nickel plating
Attenuation element	Metal film	—
Tabs	Copper	Solder plating

■Ordering Information

AT - 9 01 (40)
1 2 3 4

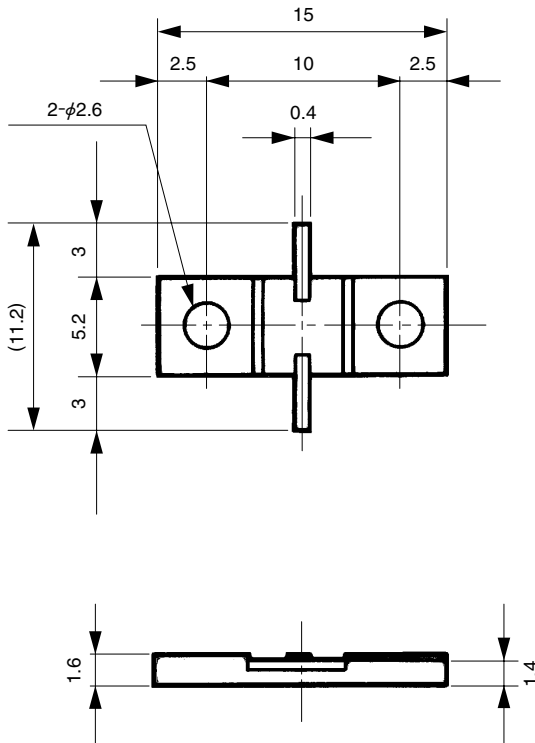
<p>① AT: Indicates a fixed attenuator</p>	<p>③ Attenuation</p> <p>01 : 1dB</p> <p>06 : 6dB</p> <p>00-(0) : 0dB (Through)</p> <p>00-(1.5) : 1.5dB</p>
<p>② Indicates the Series Name: AT-900 Series</p>	<p>④ (40): RoHS Compliant</p>

AT-900 Series Stripline Mounting Fixed Attenuators (DC to 8 GHz)

Specifications

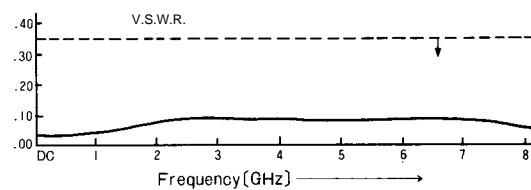
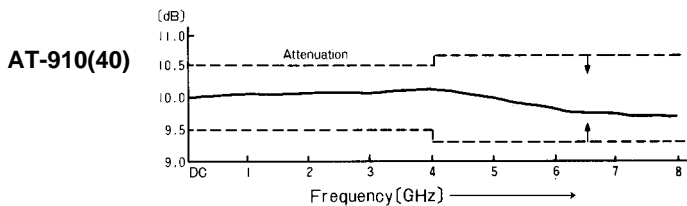
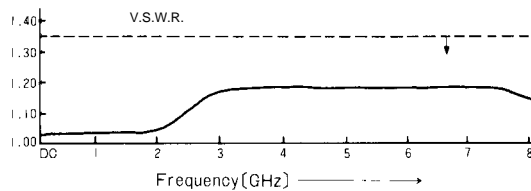
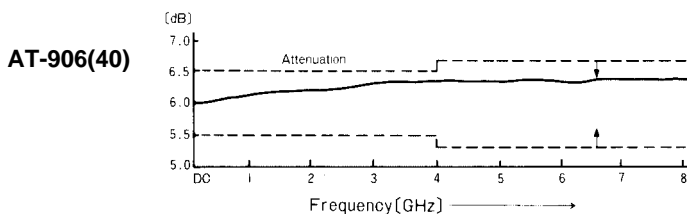
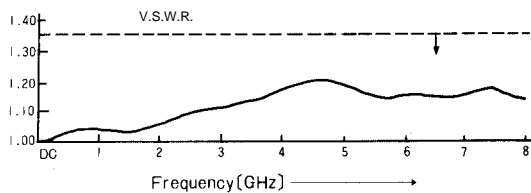
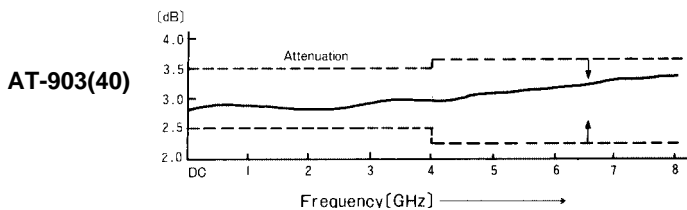
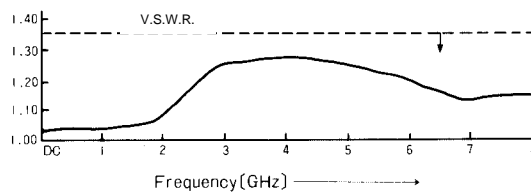
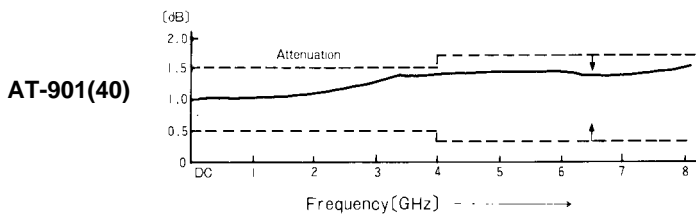
Model No.	Attenuation (dB)		V.S.W.R. (Max) DC~8GHz	Power (W)	Surface Temperature at Maximum Load (°C Max)	Weight (g)	RoHS
	DC~4GHz	4~8GHz					
AT-900-(0)(40)	0 ^{+0.5} ₀	0 ^{+0.7} ₀	1.35	1	+85	1	YES
AT-901(40)	1±0.5	1±0.7	1.35	1	+85	1	
AT-902(40)	2±0.5	2±0.7	1.35	1	+85	1	
AT-903(40)	3±0.5	3±0.7	1.35	1	+85	1	
AT-904(40)	4±0.5	4±0.7	1.35	1	+85	1	
AT-905(40)	5±0.5	5±0.7	1.35	1	+85	1	
AT-906(40)	6±0.5	6±0.7	1.35	1	+85	1	
AT-907(40)	7±0.5	7±0.7	1.35	1	+85	1	
AT-908(40)	8±0.5	8±0.7	1.35	1	+85	1	
AT-909(40)	9±0.5	9±0.7	1.35	1	+85	1	
AT-910(40)	10±0.5	10±0.7	1.35	1	+85	1	

External Dimensions



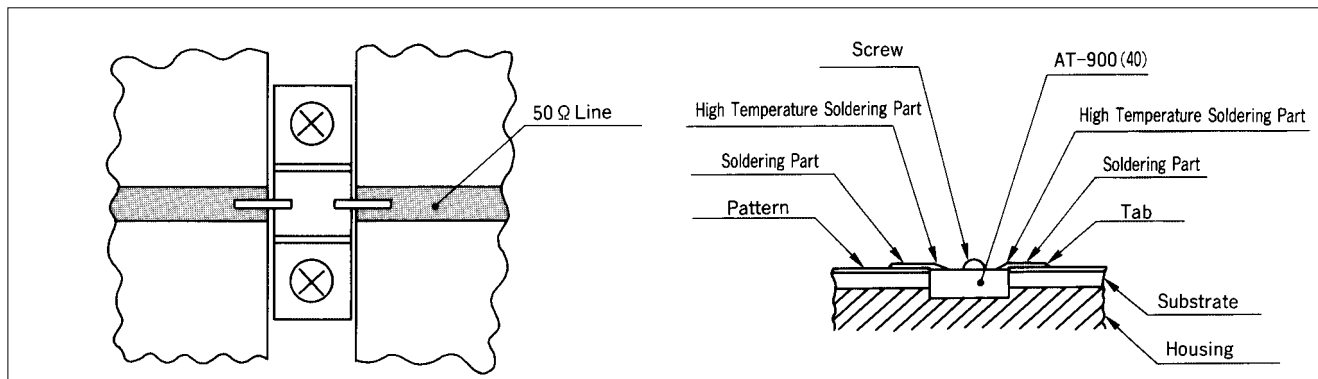
AT-900 Type

Typical Data



Mounting Method

AT-900(40) Type



- Make the AT-900(40) tab height from the housing and the thickness of the microstrip board the same amount.
- The tabs are attached with high temperature solder (having a melting point of 280°C). The soldering temperature to the microstrip board must be less than this.

X-ON Electronics

Largest Supplier of Electrical and Electronic Components

Click to view similar products for [Attenuators](#) category:

Click to view products by [Hirose](#) manufacturer:

Other Similar products are found below :

[HMC305SLP4ETR](#) [MAAD-009195-000100](#) [TGL4201-00](#) [TGL4201-02](#) [TGL4201-03](#) [TGL4201-06](#) [TGL4201-10](#) [ATN3590-15](#) [20-50TPC](#)
[D10AA5Z4](#) [18AH-01](#) [18AH-08](#) [ATN3590-09](#) [20-50RP](#) [PCAF-10](#) [EXB-24AT9AR5X](#) [ATN3580-06](#) [ATN3580-10](#) [HMC539ALP3ETR](#)
[ATN3580-02](#) [WA04P006XCTL](#) [SKY12408-321LF](#) [ATN3580-03](#) [WA04P005XBTL](#) [HMC-VVD104-SX](#) [WA04P007XCTL](#) [SKY12236-11](#)
[MAATSS0018TR-3000](#) [HMC656-SX](#) [WA04P001XBTL](#) [MAAV-007941-TR3000](#) [WA04P004XBTL](#) [WA04P002XBTL](#) [EXB-24N182JX](#)
[EXB-24N181JX](#) [EXB-24N183JX](#) [C3A50Z4](#) [HMC941A](#) [PAT0816-C-0DB-T5](#) [PAT0816-C-8DB-T5](#) [PAT1632-C-3DB-T1](#) [PAT1632-C-6DB-](#)
[T1](#) [PAT1632-C-10DB-T1](#) [PAT1632-C-1DB-T1](#) [PAT0816-C-2DB-T5](#) [PAT0816-C-4DB-T5](#) [DHM510-0100-006](#) [CMD172](#) [MAT10300](#)
[MAT10180](#)