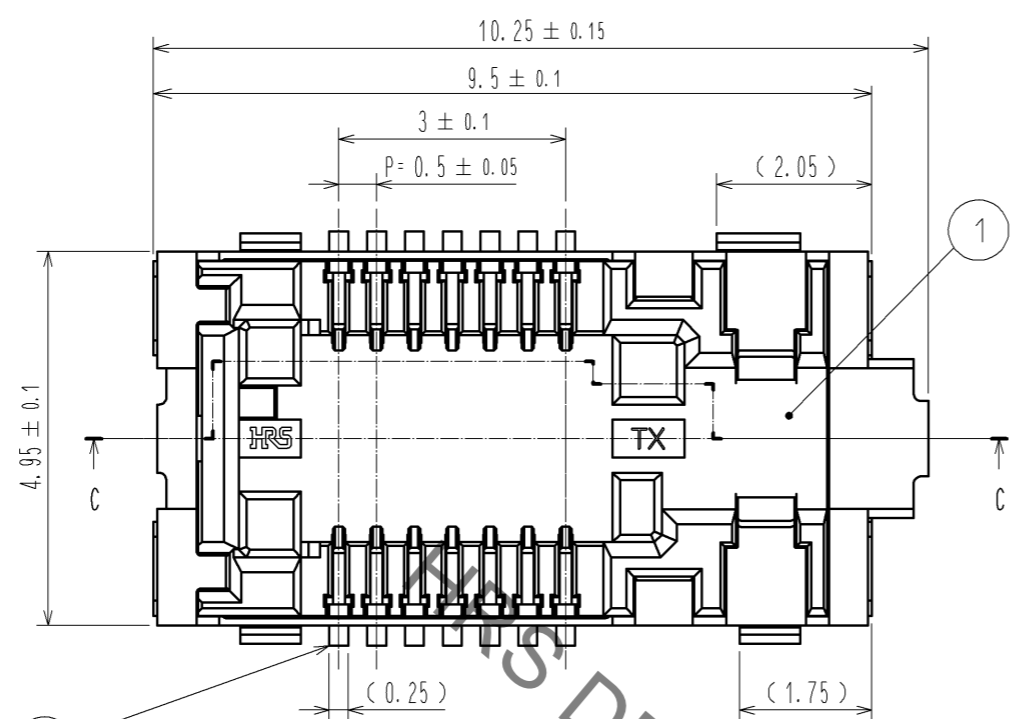
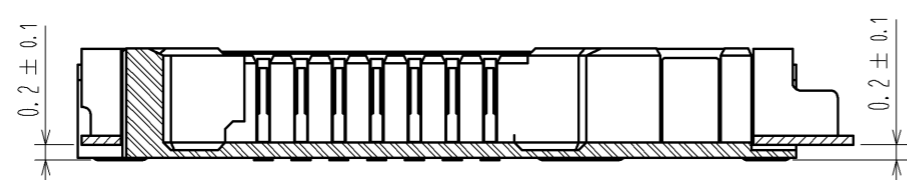
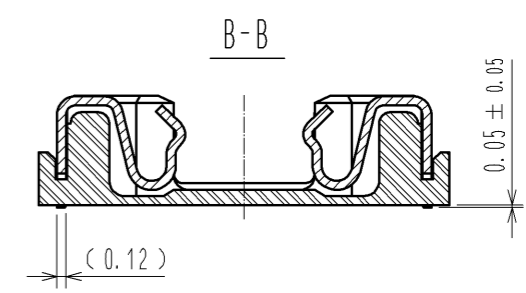
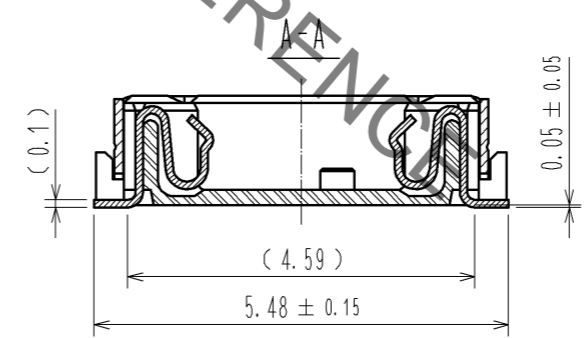
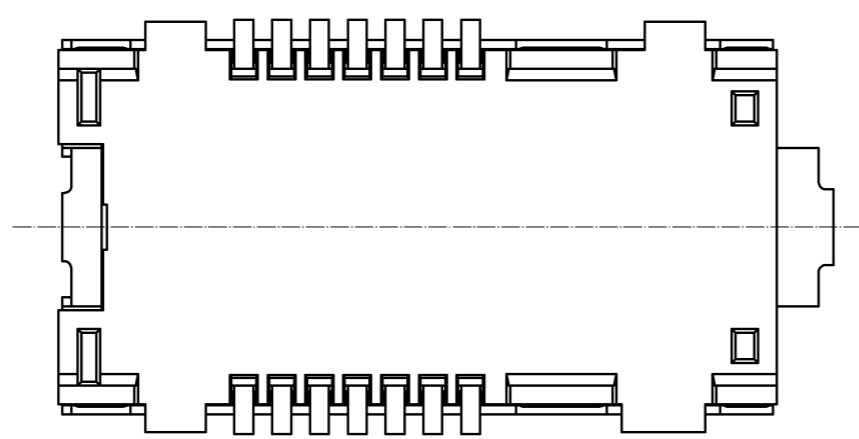
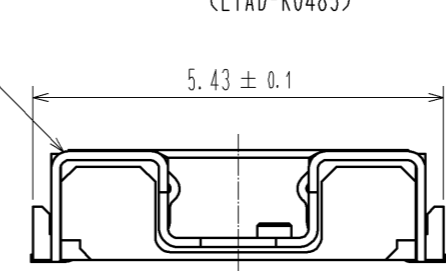
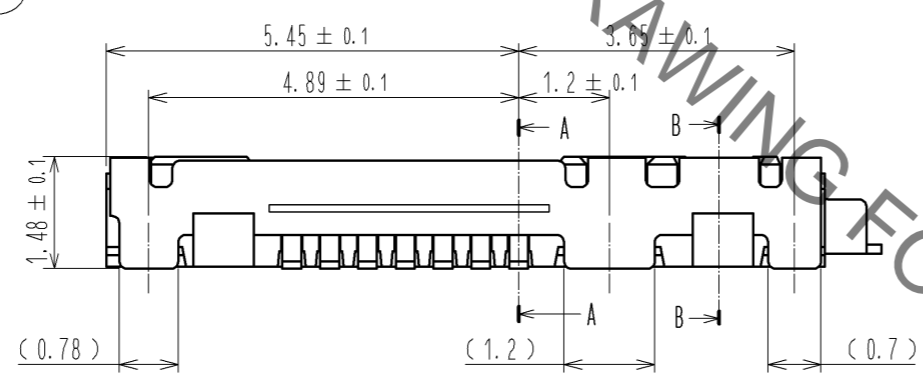
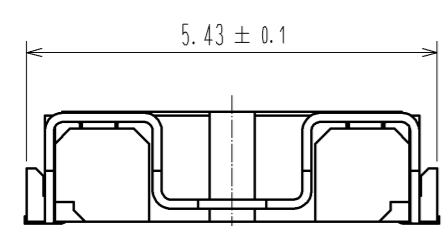


Aug.1.2021 Copyright 2021 HIROSE ELECTRIC CO., LTD. All Rights Reserved.
In case of consideration for using Automotive equipment / device which demand high reliability, kindly contact our sales window correspondents.



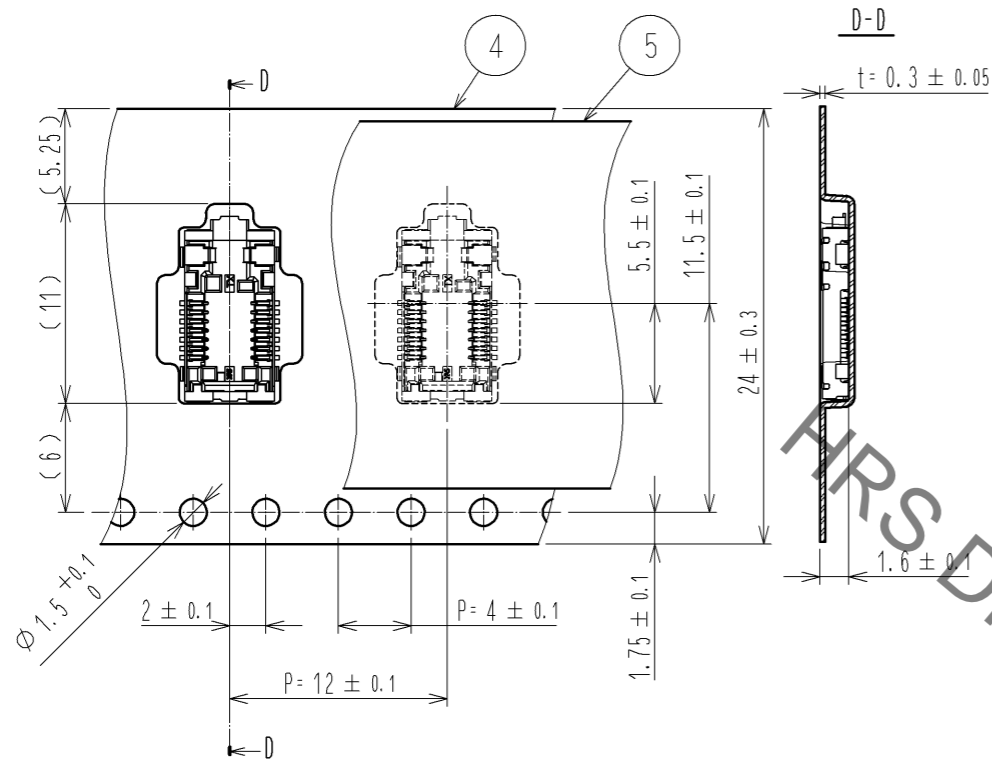
- NOTE. 1 All lead co-planarity shall be 0.1mm maximum.
- ② Contact plating
 - Contact area :Gold 0.05um MIN
 - SMT lead :Gold 0.05um MIN
 - Under plating:Nickel 1um MIN
 There shall be the nickel barrier between contact and SMT area.
 - ③ Shell plating
 - All area :Gold 0.05um MIN
 - Under plating:Nickel 1um MIN 2um MAX
 - 4 The peeling strength of cover tape shall comply with IEC 60286-3 (JIS C 0806-3).
 - 5 Embossed carrier tape has the sprocket hole on one side.
 - ⑥ Recommended land pattern is shown. Please do not arrange the via without resist in the hatching part as shown in the figure.
 - ⑦ The connector dimension when the plug engages is shown.
 - ⑧ Please note that it becomes impossible to use extraction tool when other parts are in the crossing hatching part as shown in the figure.
 - 9 Please layout the PCB pattern and fiber alignment, considering not to overload fiber. (Please see ETAD-K0398 about connector handling precautions.)
 - ⑩ Pin assignment and functions are described in the specification of BF4M plug connector (ETAD-K0485)



3	Phosphor Bronze	③		5	Polyester	Clear (Cover tape)			
2	Phosphor Bronze	②		4	PS	Clear (Embossed carrier tape)			
1	LCP	UL94 V-0							
NO.	MATERIAL	FINISH	REMARKS	NO.	MATERIAL	FINISH	REMARKS		
UNITS	mm	SCALE	10 : 1	COUNT	4	DESCRIPTION OF REVISIONS	DESIGNED	CHECKED	DATE
						DIS-K-002978	SJ. SUZUKI	SJ. SHIMIZU	13.06.27
APPROVED : MT. SHIBUTANI		13.03.01		DRAWING NO.		EDC3-178303-10			
CHECKED : SJ. SHIMIZU		13.03.01		PART NO.		BF4-TX-14DS-0.5V<10>			
DESIGNED : KS. JOKURA		13.02.28		CODE NO.		CL831-0008-6-10			
DRAWN : KS. JOKURA		13.02.28							

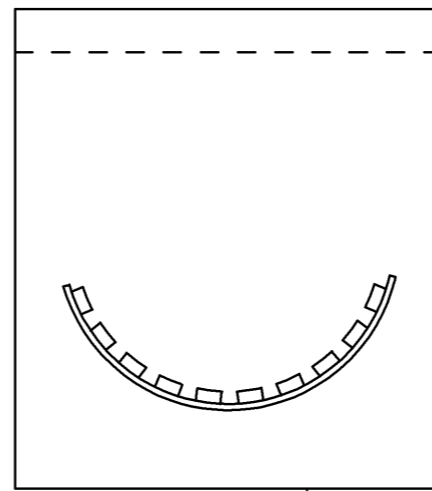
Aug.1.2021 Copyright 2021 HIROSE ELECTRIC CO., LTD. All Rights Reserved.
 In case of consideration for using Automotive equipment / device which demand high reliability, kindly contact our sales window correspondents.

Dimensions of embossed carrier tape (Scale : FREE)



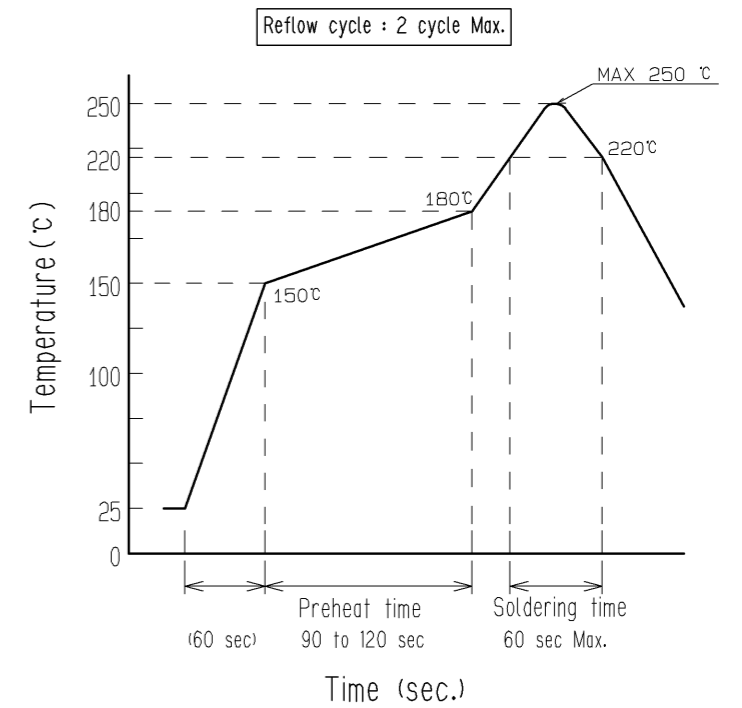
Packing style (Scale : FREE)

10 pcs. per pack

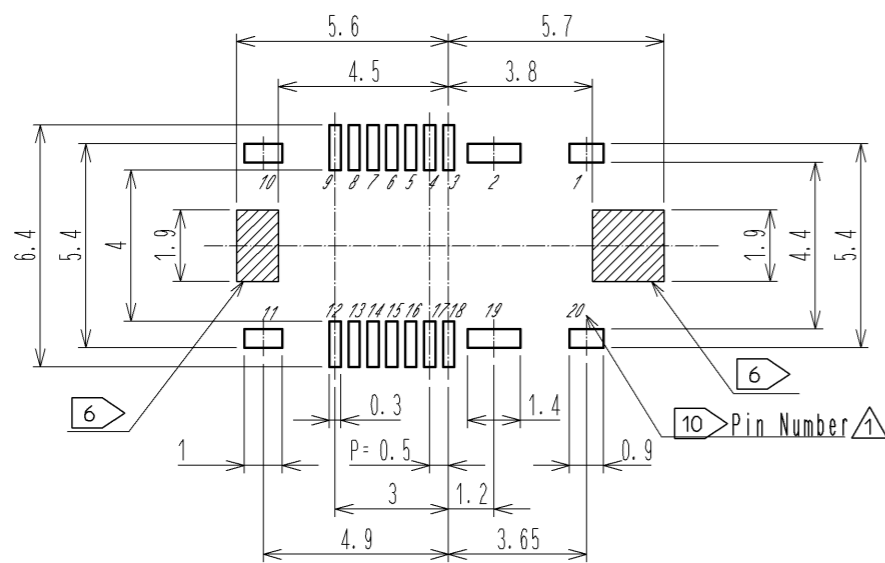


Plastic Bag

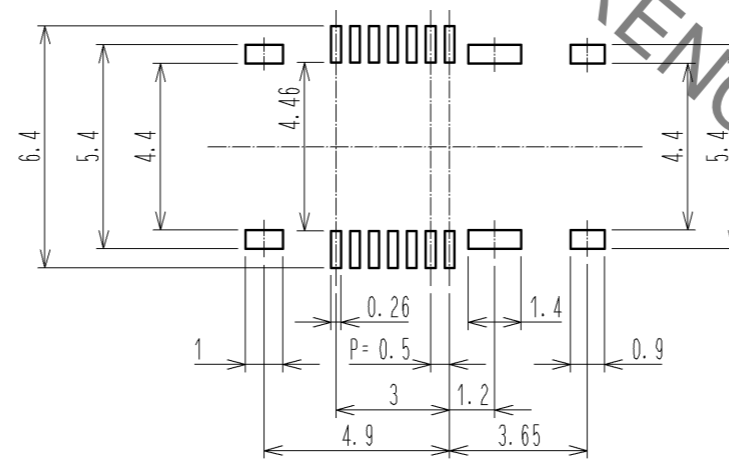
Recommended reflow temperature profile using Lead-Free solder paste.



6 Recommended PCB land pattern

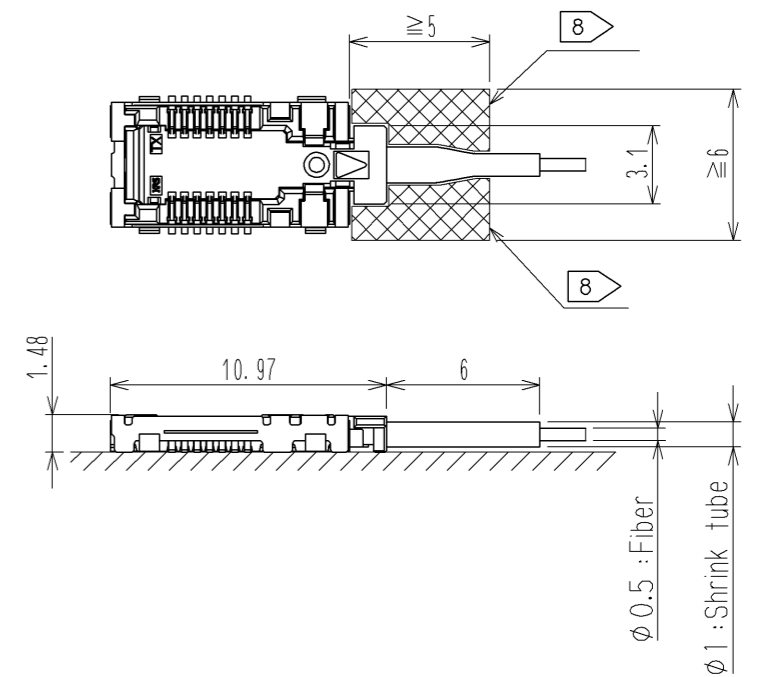


Recommended metal mask dimensions (Mask thickness : 120 μm)



Aperture ratio
 Pads mounted contacts : 70%
 Pads mounted shell : 100%

7 Dimensions of engaged connector (Scale : FREE)



HRS	DRAWING NO.	EDC3-178303-10
	PART NO.	BF4-TX-14DS-0.5V(10)
	CODE NO.	CL831-0008-6-10
		2/2

X-ON Electronics

Largest Supplier of Electrical and Electronic Components

Click to view similar products for [Fibre Optic Connectors](#) category:

Click to view products by [Hirose](#) manufacturer:

Other Similar products are found below :

[0004700001](#) [6100-R](#) [6313](#) [F709722200](#) [F709730000](#) [F718183204](#) [F727403500](#) [F727752800](#) [8119](#) [9440F20-27S-190](#) [944-120-6001](#)
[9441F10SL-3S](#) [9444W28-21S](#) [9444W36-10S](#) [9446W20-16S](#) [953-101-5310-P](#) [954-101-57202B](#) [A0270169](#) [12-9122](#) [12-5702](#) [AX101713](#)
[AX102420](#) [AX103923](#) [AX104024](#) [AX104193](#) [AX104230](#) [AX104562](#) [AX105203-B25](#) [AX105205-S1](#) [EHSC2M](#) [17-300800](#) [181-011-126](#)
[181-011-S](#) [181-057-126](#) [NKSOPBUY](#) [20500002116](#) [2064996-1](#) [20800001065](#) [2170](#) [9132](#) [2612](#) [2620](#) [9291](#) [9440F16-10S](#) [9440F20-18S](#)
[9446F16-10S-190](#) [953-106-50231](#) [953-120-5003](#) [955-120-5110](#) [1757711-1](#)