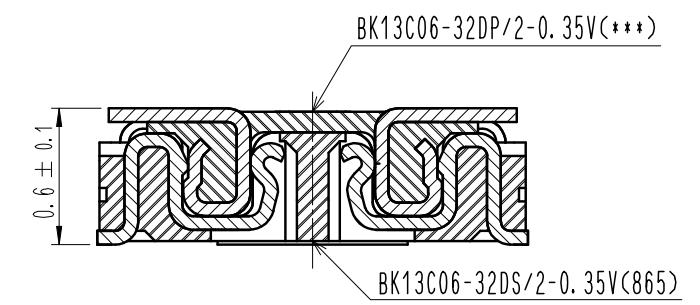
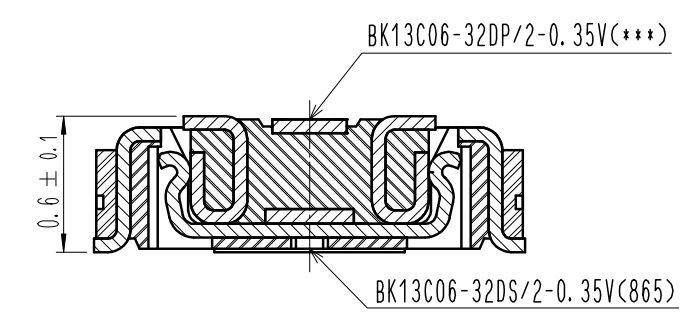


ENGAGEMENT FIGURE (30:1)

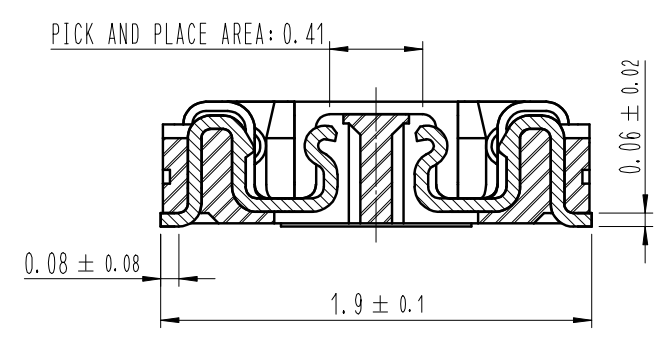


SIGNAL CONTACT

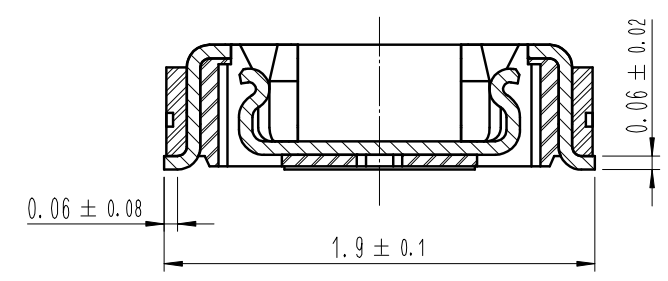


POWER CONTACT

A-A (30:1)



B-B (30:1)

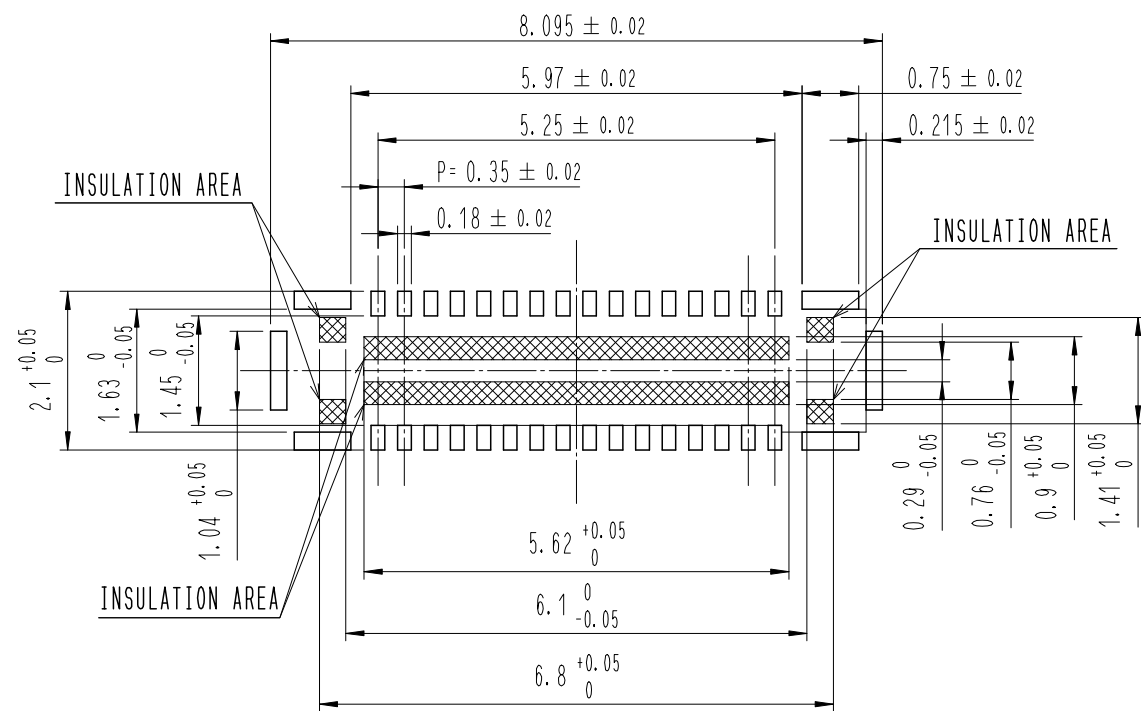


△數		訂正事項	擔當	檢圖	年月日	△數		訂正事項	擔當	檢圖	年月日		
△	數	DESCRIPTION OF REVISIONS	B	Y	CHKD	DATE	△	數	DESCRIPTION OF REVISIONS	B	Y	CHKD	DATE
△							△						
△							△						
△							△						

- NOTE
- ① CONTACT PLATING SPECIFICATIONS  
CONTACT AREA : GOLD 0.1 μm MIN , Ni 2.0~7.6 μm  
SMT LEAD AREA : GOLD 0.076~0.2 μm , Ni 2.0~7.6 μm  
(SURFACE : SEALING)
  - 2 . PRODUCT COLOR : BLACK
  - 3 . MANUFACTURING PROCESS : INSERT MOLDING
  - 4 . USING OF RE-GRINDED MATERIAL IS NOT ALLOWED IN THIS PRODUCT.
  - ⑤ . LOT NO. ARE INDICATED.
  - ⑥ . HRS MARK AND CAV No. ARE INDICATED IN APPROX POSITION SHOWN.

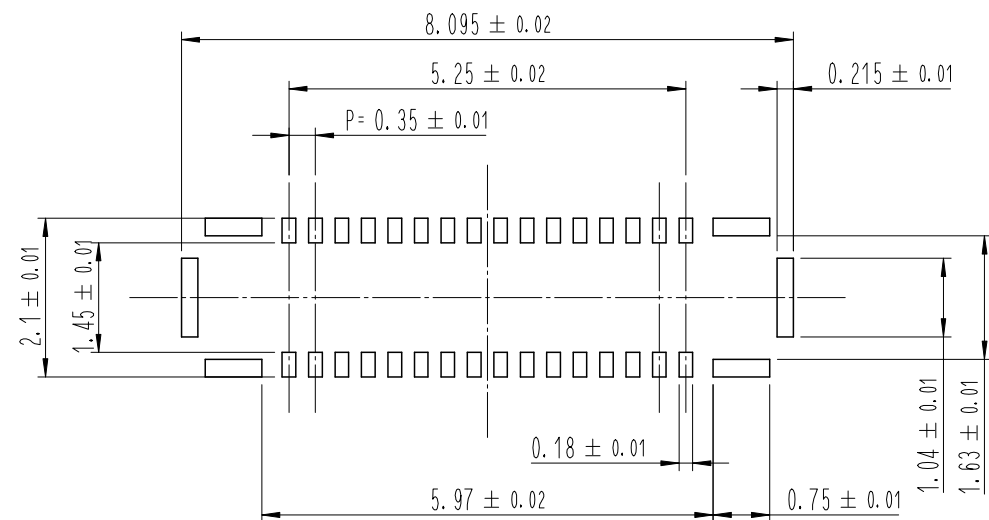
4	PS	CLEAR (EMBOSSED CARRIER TAPE)											
3	COPPER ALLOY	①					7	PS	CLEAR (REINFORCEMENT COLLAR)				
2	COPPER ALLOY	①					6	PS	BLACK (PLASTIC REEL)				
1	LCP	UL94 V-0, BLACK					5	POLYESTER	CLEAR (COVER TAPE)				
NO.	MATERIAL	FINISH , REMARKS	NO.	MATERIAL	FINISH , REMARKS								
REMARKS							DRAWN	DESIGNED	CHECKED	APPROVED	RELEASED		
							S. H. JUNG	S. H. JUNG	H. W. JO	H. W. JO	18.12.10		
							18.12.10	18.12.10	18.12.10	18.12.10	18.12.10		
HUAWEI CODE NO.	DRAWING NO.		PART NO.										
14241510	EDC3-632633-65		BK13C06-32DS/2-0.35V(865)										
SCALE 10:1		HRS HIROSE KOREA CO., LTD.		CODE NO.		CL 6665-0002-0-865					1	3	
UNITS mm													

7 RECOMMENDED PCB LAYOUT

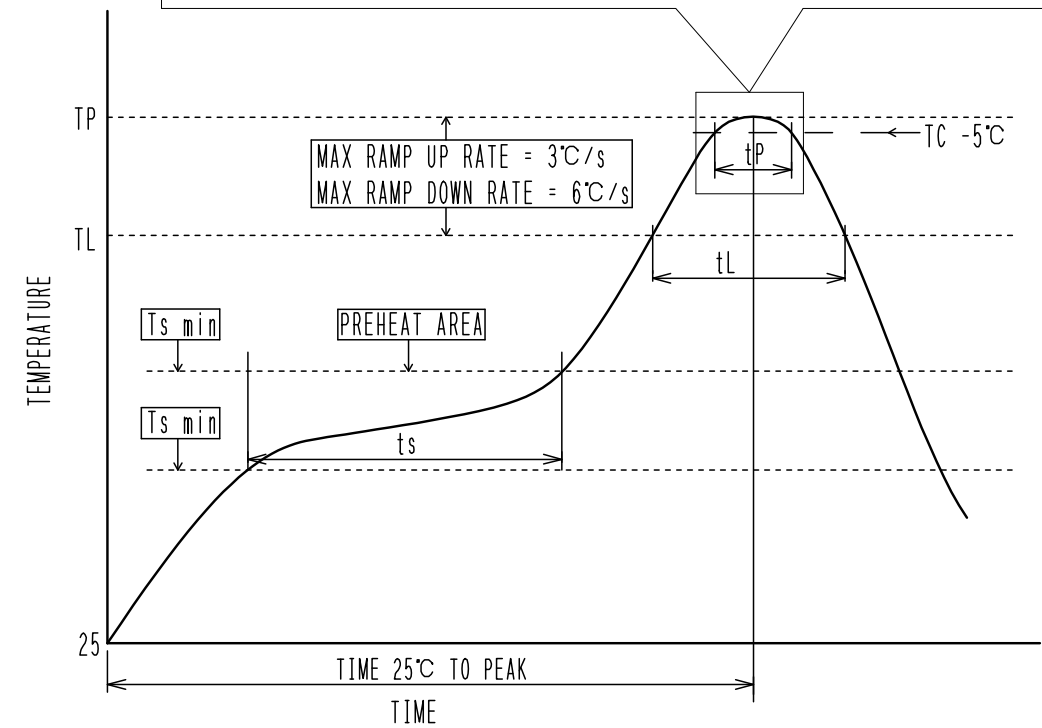
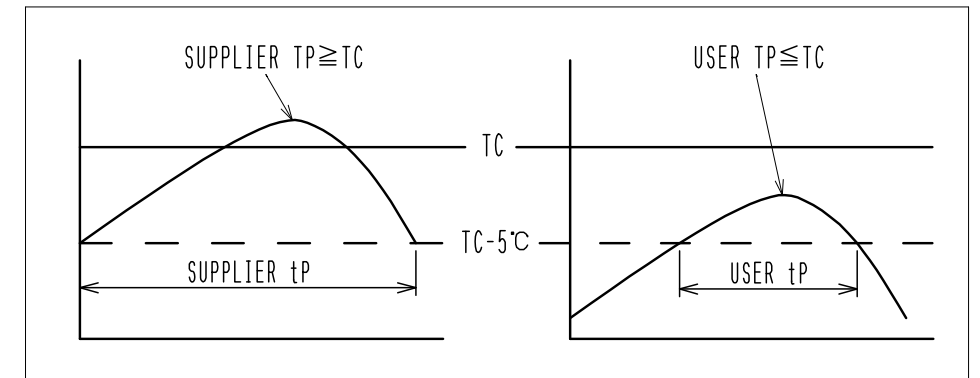


RECOMMENDED METAL MASK DIMENSIONS

METAL MASK THICKNESS : 80 μm



RECOMMENDED REFLOW TEMPERATURE PROFILE USING LEAD-FREE SOLDER PASTE.



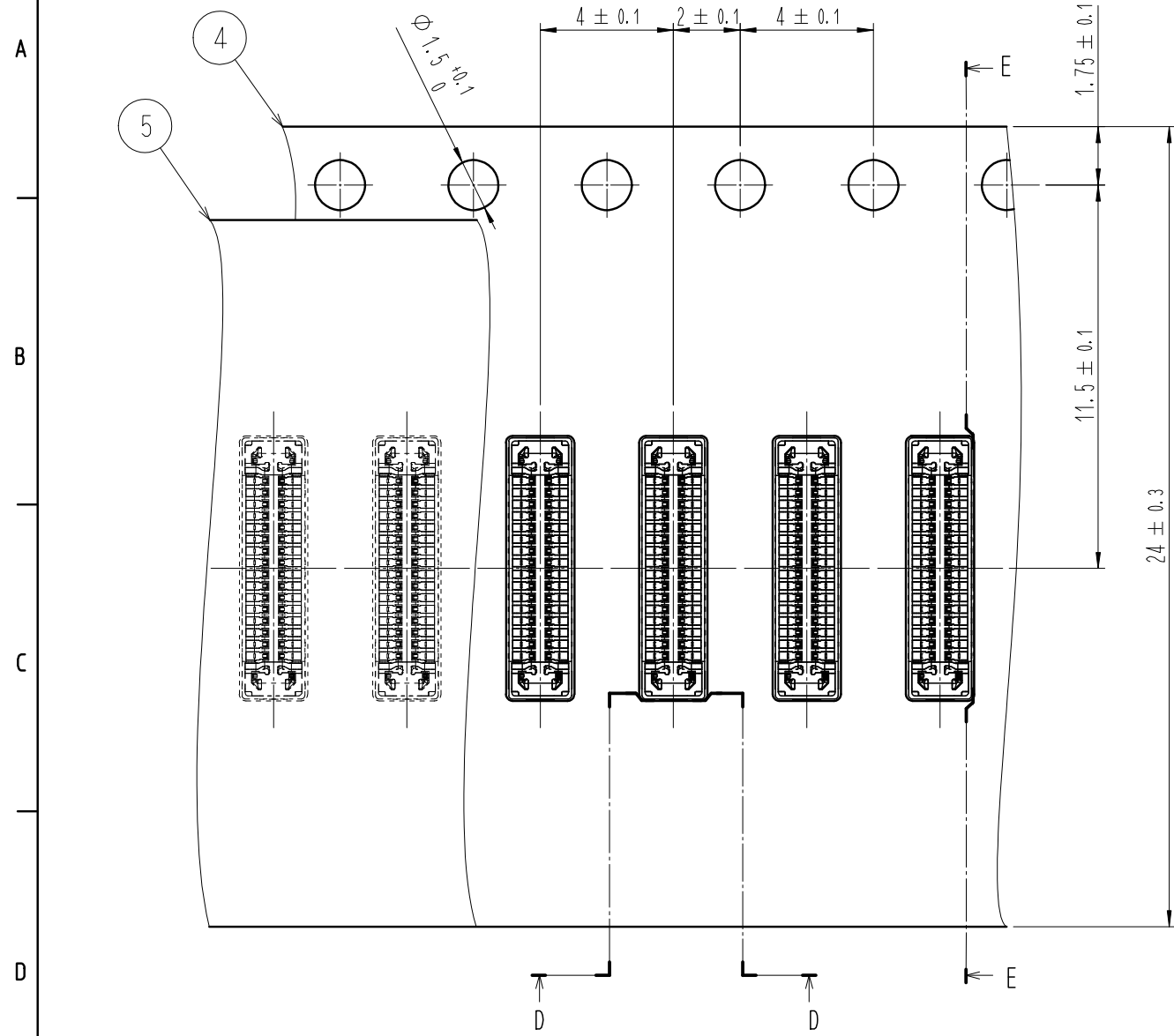
- ITEM : TYPICAL
- PRE-HEATING(150°C to 200°C) : 100~120s
- TEMPERATURE RISE SPEED(TL~TP) : MAX 3°C/s
- REFLOW TIME(217°C) : 100~150s
- MINIMUM PEAK TEMPERATURE : 255°C
- TIME WITH TEMPERATURE HIGHER THAN 250°C : MIN 30s
- COOL DOWN SPEED(TP~TL) : MAX -6°C/s
- TIME 25°C TO TP : MAX 8min

7 PLEASE CONTACT US IN CASE YOU WILL MAKE DIFFERENT SETTINGS FROM OUR RECOMMENDATION.

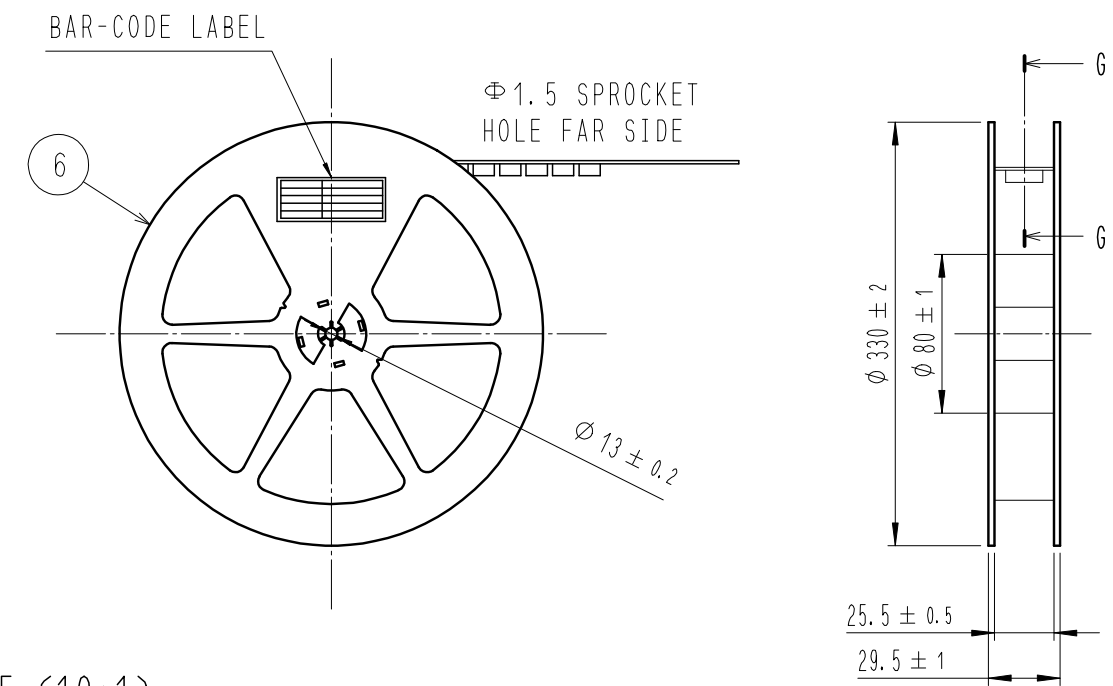
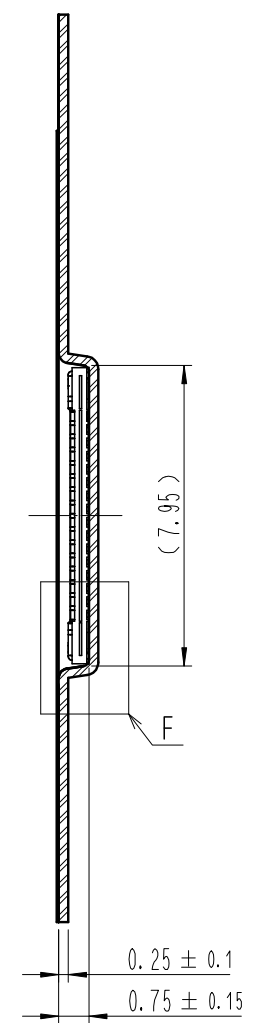
 SCALE 10:1 UNITS mm	DRAWING NO. EDC3-632633-65	PART NO. BK13C06-32DS/2-0.35V(865)
	HIROSE KOREA CO., LTD.	CODE NO. CL 6665-0002-0-865

# EMBOSSED CARRIER TAPE PACKAGING (5:1)

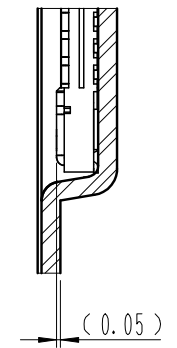
# STYLE AND DIMENSION OF REEL (FREE)



E-E (5:1)



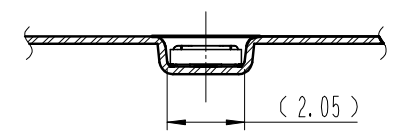
F (10:1)



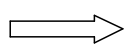
Display notes are as follows

(P) Customer P/N: 14241510
(1P) Manufacture P/N: BK13C06-32DS/2-0.35V(865)
(Q): 10,000 Manufacture Vendor : HIROSE KOREA CO.,LTD
(10D) Date Code: ****
(4L) Country of origin: KOREA
(1T) LOT No: *****-x-***
LOT NO. *****-x-***
CL CODE CL 6665-0002-0-865
PART NO BK13C06-32DS/2-0.35V(865)
Q'TY 10,000pcs
Hirose Korea Co., Ltd.
RoHS H/F

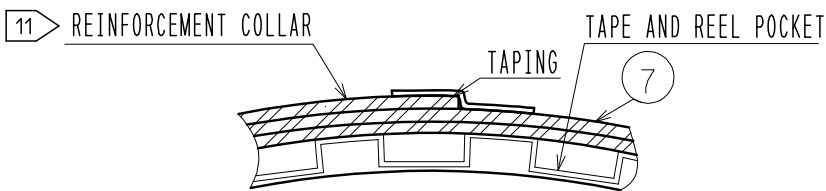
D-D (5:1)



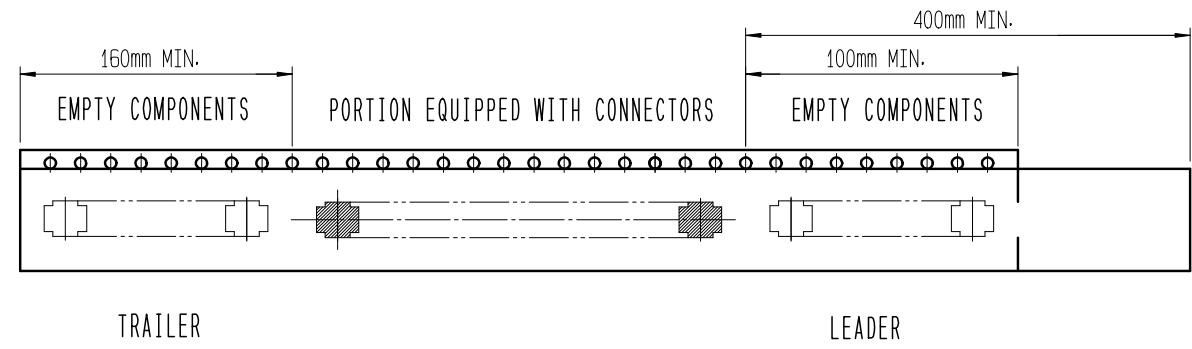
DIRECTION OF UNREELING



G-G (FREE)



10 TAPING(FREE)



- 8 . PER REEL 10,000 CONNECTORS.
- 9 . THE DIMENSIONS IN PARENTHESES ARE FOR REFERENCE.
- 10 . REFER TO JIS C 0806, IEC-60286-3 (PACKAGING OF COMPONENTS FOR AUTOMATIC HANDLING)
- 11 . AFTER PACKAGING, ROLL 2 METERS OF THE REINFORCEMENT COLLAR TO OUTER CIRCUMFERENCE OF TAPE AND REEL POCKET. AND TAPE DOWN AT THE END THE COLLAR

DRAWING NO. EDC3-632633-65	PART NO. BK13C06-32DS/2-0.35V(865)
SCALE 10:1	CODE NO. CL 6665-0002-0-865
UNITS mm	3/3

HIROSE KOREA CO., LTD.

## X-ON Electronics

Largest Supplier of Electrical and Electronic Components

*Click to view similar products for [Board to Board & Mezzanine Connectors](#) category:*

*Click to view products by [Hirose](#) manufacturer:*

Other Similar products are found below :

[589158040000018](#) [MDF7C-18P-2.54DSA\(55\)](#) [FCN-268F036-G/BD](#) [FCN-268M012-G/0D](#) [FCN-268M024-G/1D](#) [MIS-048-01-F-D-DP-K](#)  
[832-10-034-10-001000](#) [FX4C-80S-1.27DSA](#) [93696-330](#) [224393](#) [FCN-235D050-G/C](#) [210-93-314-41-105000](#) [MDF7-40DP-2.54DSA\(55\)](#)  
[MIT-114-03-F-D-K](#) [55323-1519](#) [026-6203-PDB](#) [027-6203-PDB](#) [069159702701000](#) [101A10019X](#) [105061100000861+](#) [55650-0588-C](#) [75140-](#)  
[7012](#) [87471-650](#) [YTW-30-07-H-Q-410-140](#) [YTT-112-01-H-Q](#) [063209](#) [10124054-515LF](#) [68685-603](#) [8-1616154-3](#) [MIS-019-01-F-D](#) [YTQ-](#)  
[12103HQ](#) [541371078](#) [IL-WX-10PB-HF-B-E1000E](#) [FCN-214J100-G/0](#) [FCN-230C068-E/S](#) [354184](#) [MIT-019-04-F-D-K](#) [P50-028-DDS-TG](#)  
[53309-2471](#) [54546-2071](#) [1586617-1](#) [504208-3010](#) [504208-5010](#) [504248-1010](#) [504248-1210](#) [504248-2010](#) [LST-115-07-S-D](#) [LST-105-07-G-](#)  
[D](#) [9159005551906](#) [NDS100-004-BF](#)