

	COUNT	DESCRIPTION OF REVISIONS	BY	CHKD	DATE	COUNT	DESCRIPTION OF REVISIONS	BY	CHKD	DATE
①	8	RE-6-1422	JSH	JHW	19.05.31					

### APPLICABLE STANDARD

RATING	OPERATING TEMPERATURE RANGE	-55℃ TO +85℃(note1)	STORAGE TEMPERATURE RANGE	-10℃ TO +60℃
	VOLTAGE	30 V AC/DC	APPLICABLE CONNECTOR	BK13C06-40DS2-0.35V(**)
	CURRENT	SIGNAL CONTACT 0.3A POWER CONTACT 5.0A		

### SPECIFICATIONS

ITEM	TEST METHOD	REQUIREMENTS	QT	AT
------	-------------	--------------	----	----

#### CONSTRUCTION

GENERAL EXAMINATION	CONFIRMED VISUALLY AND BY MEASURING INSTRUMENT.	ACCORDING TO DRAWING.	X	X
MARKING	CONFIRMED VISUALLY.		X	X

#### ELECTRICAL CHARACTERISTICS

CONTACT RESISTANCE	20mV AC OR LESS 1kHz, 1mA	SIGNAL CONTACT : 50mΩ MAX ① POWER CONTACT : 15mΩ MAX ①	X	-
INSULATION RESISTANCE	100V DC	50MΩ MIN	X	-
VOLTAGE PROOF	100V AC FOR 1min.	NO FLASHOVER OR BREAKDOWN	X	-

#### MECHANICAL CHARACTERISTICS

INSERTION AND WITHDRAWAL FORCE ①	MEASURED BY APPLICABLE CONNECTOR. 30TIMES INSERTION AND WITHDRAWAL. TEST SPEED 10mm/min	① INSERTION FORCE : 40N MAX (INITIAL AND AFTER TEST) ② WITHDRAWAL FORCE INITIAL : 10N MIN (0.25N * PIN) AFTERT TEST : 8N MIN (0.2N * PIN)	X	-
MECHANICAL OPERATION	30 TIMES INSERTIONS AND EXTRACTIONS. ①	① CONTACT RESISTANCE: SIGNAL CONTACT : 70mΩ MAX ① POWER CONTACT : 30mΩ MAX ② NO DAMAGE, CRACK OR LOOSENESS OF PATRS.	X	-
VIBRATION	FREQUENCY 10 TO 55 TO 10 Hz, APPROX 5min SINGLE AMPLITUDE 0.75mm, 10CYCLES, FOR 3 DIRECTIONS.	① NO ELECTRICAL DISCONTINUITY OF 1μs. ② NO DAMAGE, CRACK OR LOOSENESS OF PARTS.	X	-
SHOCK	490 m/s² DURATION OF PULSE 11ms AT 3 TIMES FOR 3 DIRECTIONS.	① NO ELECTRICAL DISCONTINUITY OF 1μs. ② NO DAMAGE, CRACK OR LOOSENESS OF PARTS.	X	-

#### ENVIRONMENTAL CHARACTERISTICS

RAPID CHANGE OF TEMPERATURE	TEMPERATURE -55 → +85℃ TIME 30 → 30 min UNDER 5 CYCLES. (RELOCATION TIME TO CHAMBER: WITHIN2~3 MIN)	① CONTACT RESISTANCE: SIGNAL CONTACT : 70mΩ MAX ① POWER CONTACT : 30mΩ MAX ② INSULATION RESISTANCE: 50MΩ MIN ③ NO DAMAGE, CRACK OR LOOSENESS OF PARTS.	X	-
DAMP HEAT (STEADY STATE)	EXPOSED AT 40±2℃, 90 TO 95%, 96h.	① CONTACT RESISTANCE: SIGNAL CONTACT : 70mΩ MAX ① POWER CONTACT : 30mΩ MAX ② INSULATION RESISTANCE: 25MΩ MIN ③ NO DAMAGE, CRACK OR LOOSENESS OF PARTS.	X	-
SULPHUR DIOXIDE	EXPOSED IN 25 PPM FOR 96h, 25℃, 75±5%RH. (Test standard : JIS C 60068)	① CONTACT RESISTANCE: SIGNAL CONTACT : 70mΩ MAX ① POWER CONTACT : 30mΩ MAX ② NO DAMAGE, CRACK OR LOOSENESS OF PARTS.	X	-

REMARKS Note 1 : INCLUDE THE TEMPERATURE RISING BY CURRENT.	DRAWN S.H.JUNG 19.02.25	DESIGNED S.H.JUNG 19.02.25	CHECKED H.W.JO 19.02.25	APPROVED H.W.JO 19.02.25	RELEASED ENG 19.05.31 DEPT
--	-------------------------------	----------------------------------	-------------------------------	--------------------------------	-------------------------------------

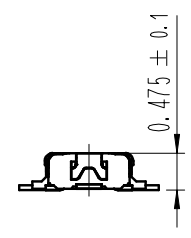
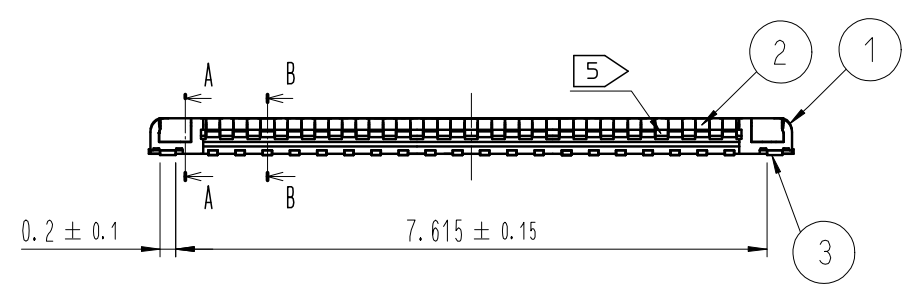
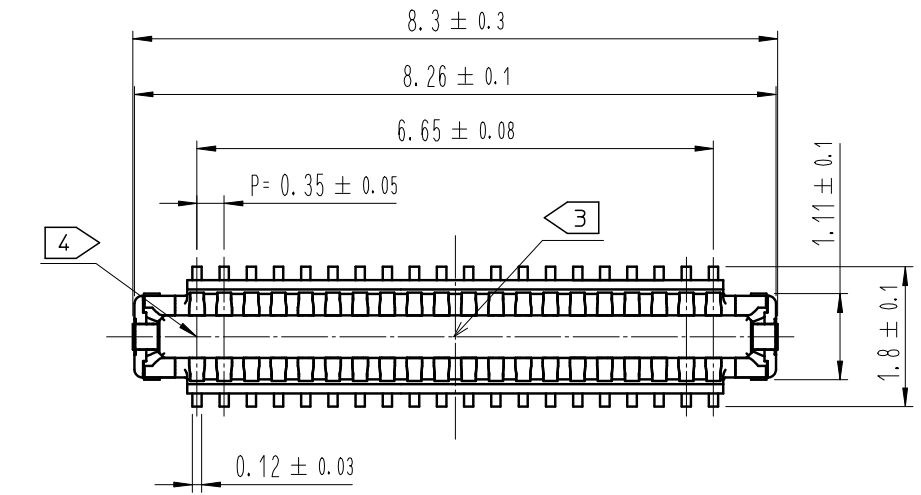
Note QT: QUALIFICATION TEST AT: ASSURANCE TEST X: APPLICABLE TEST

HIROSE KOREA CO.,LTD.	SPECIFICATION SHEET	PART NO. BK13C06-40DP/2-0.35V(868)
-----------------------	---------------------	---------------------------------------

CODE NO.(OLD)	DRAWING NO. SLC4-632759-68	CODE NO. CL 6665-0009-0-868	1/1
---------------	-------------------------------	--------------------------------	-----

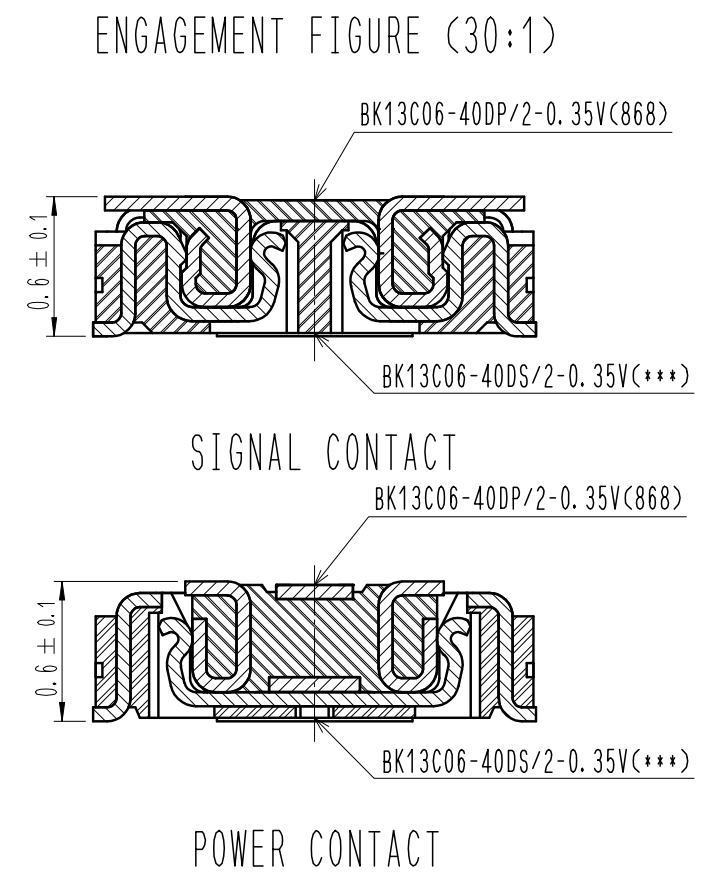
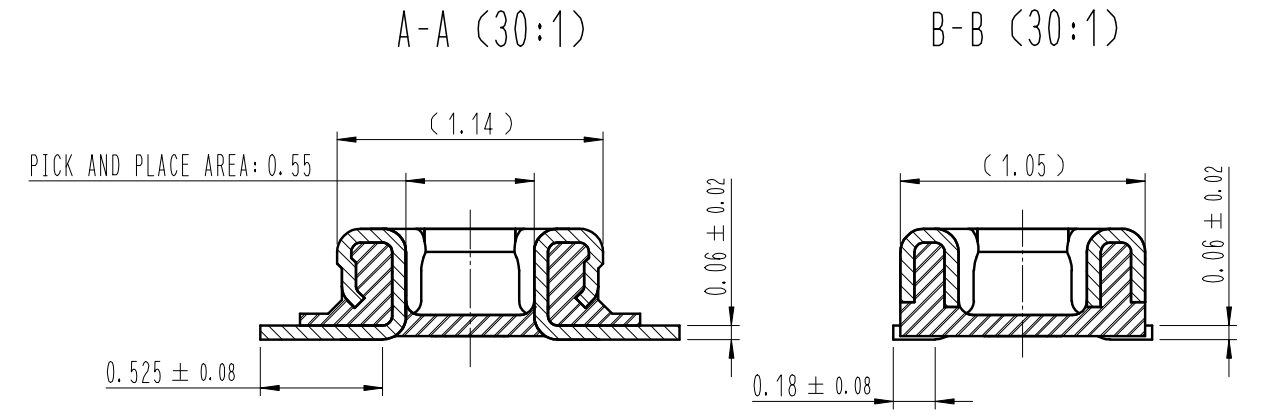
COUNT	DESCRIPTION OF REVISIONS	B	Y	CHKD	DATE	COUNT	DESCRIPTION OF REVISIONS	B	Y	CHKD	DATE
3	RE-6-1349	JSH	JHW		19. 02. 19						

A  
B  
C  
D  
E  
F



DRAWING FOR REFERENCE  
This is subject to change without notice

- NOTE
- 1. ALL LEAD CO-PLANARITY SHALL BE 0.08mm MAX.
  - 2. CONTACT PLATING SPECIFICATIONS  
CONTACT AREA : GOLD 0.1μm MIN , Ni 2.0~7.6μm  
SMT LEAD AREA : GOLD 0.076~0.2μm , Ni 2.0~7.6μm  
(SURFACE : SEALING)
  - 3. LOT NO. ARE INDICATED.
  - 4. CAV NO. ARE INDICATED IN APPROX POSITION SHOWN.
  - 5. A PART OF THE WALL COULD BE NOTCHED



NO.	MATERIAL	FINISH , REMARKS	NO.	MATERIAL	FINISH , REMARKS
4	PS	CLEAR (EMBOSSD CARRIER TAPE)	7	PS	CLEAR (REINFORCEMENT COLLAR)
3	COPPER ALLOY	2	6	PS	BLACK (PLASTIC REEL)
2	COPPER ALLOY	2	5	POLYESTER	CLEAR (COVER TAPE)
1	LCP	UL94 V-0, BLACK			

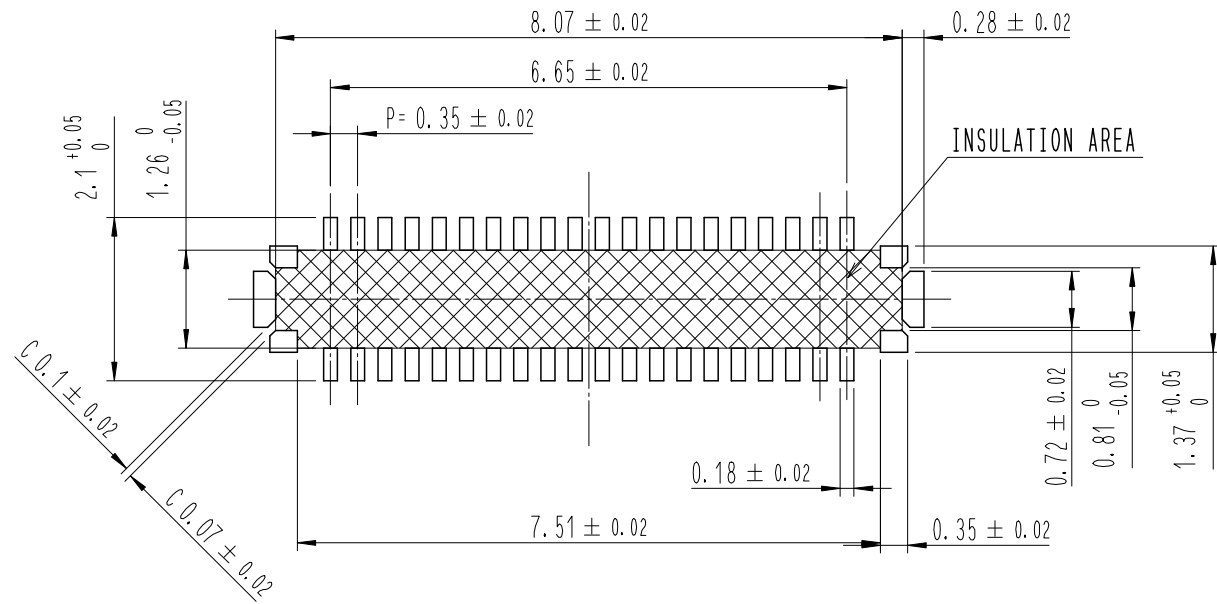
REMARKS	DRAWN	DESIGNED	CHECKED	APPROVED	RELEASED
	G. H. LEE 19. 01. 17	G. H. LEE 19. 01. 17	H. W. JO 19. 01. 17	H. W. JO 19. 01. 17	19. 02. 19

CODE NO. (OLD)	DRAWING NO. EDC3-632759-68	PART NO. BK13C06-40DP/2-0.35V(868)
SCALE 10:1	UNITS mm	CODE NO CL 6665-0009-0-868
HRS HIROSE KOREA CO., LTD.		1/3

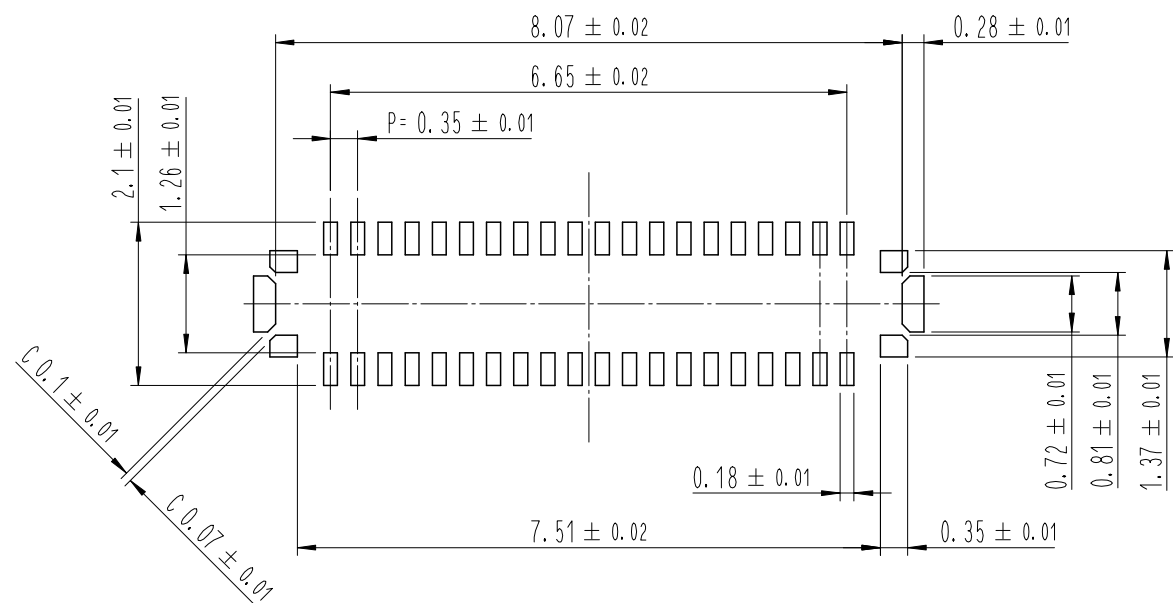
1 2 3 4 5 6 7 8

7 **RECOMMENDED PCB LAYOUT**

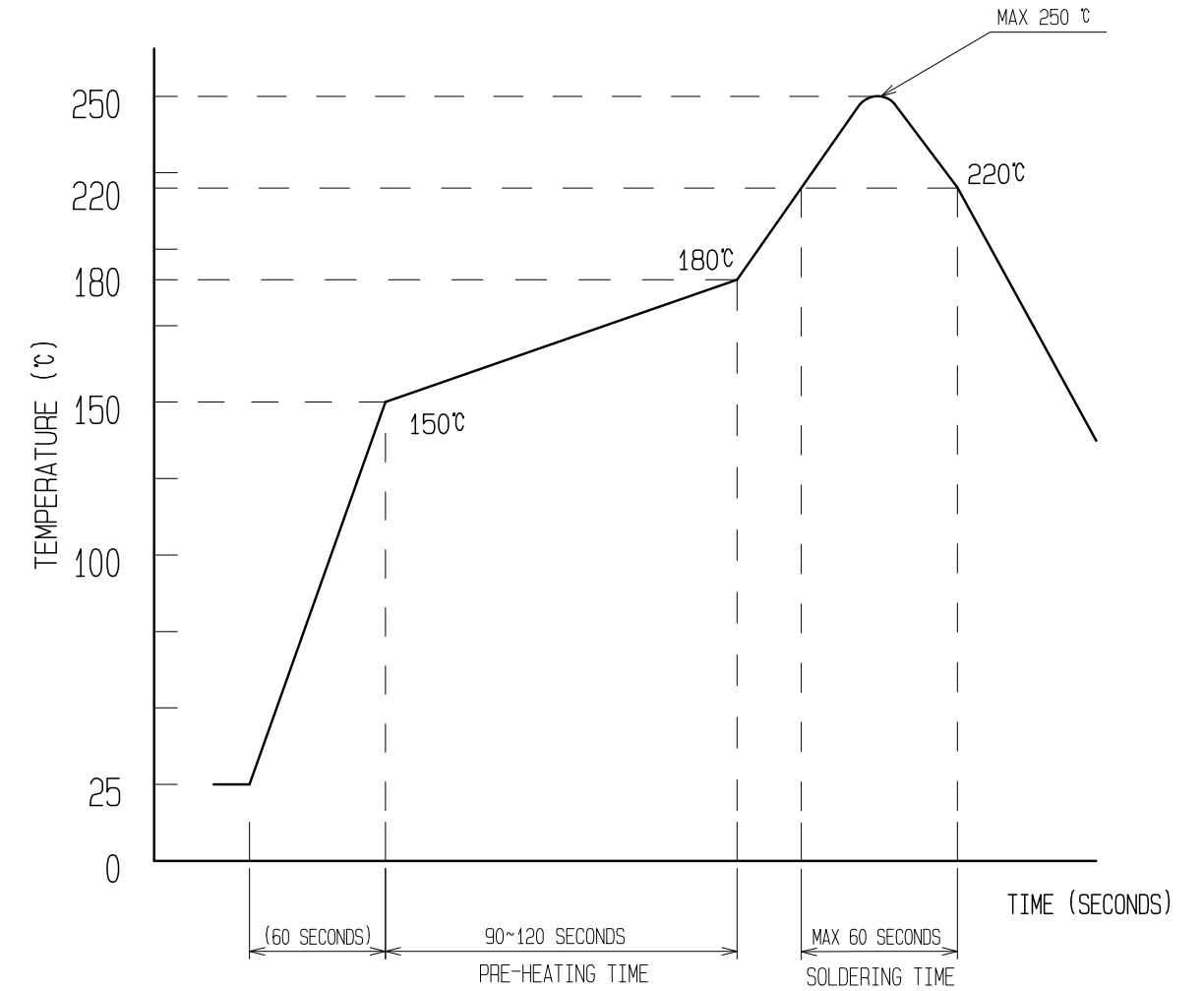


7 **RECOMMENDED METAL MASK DIMENSIONS**

METAL MASK THICKNESS : 80 μm



6 **RECOMMENDED REFLOW TEMPERATURE PROFILE USING LEAD-FREE SOLDER PASTE.**



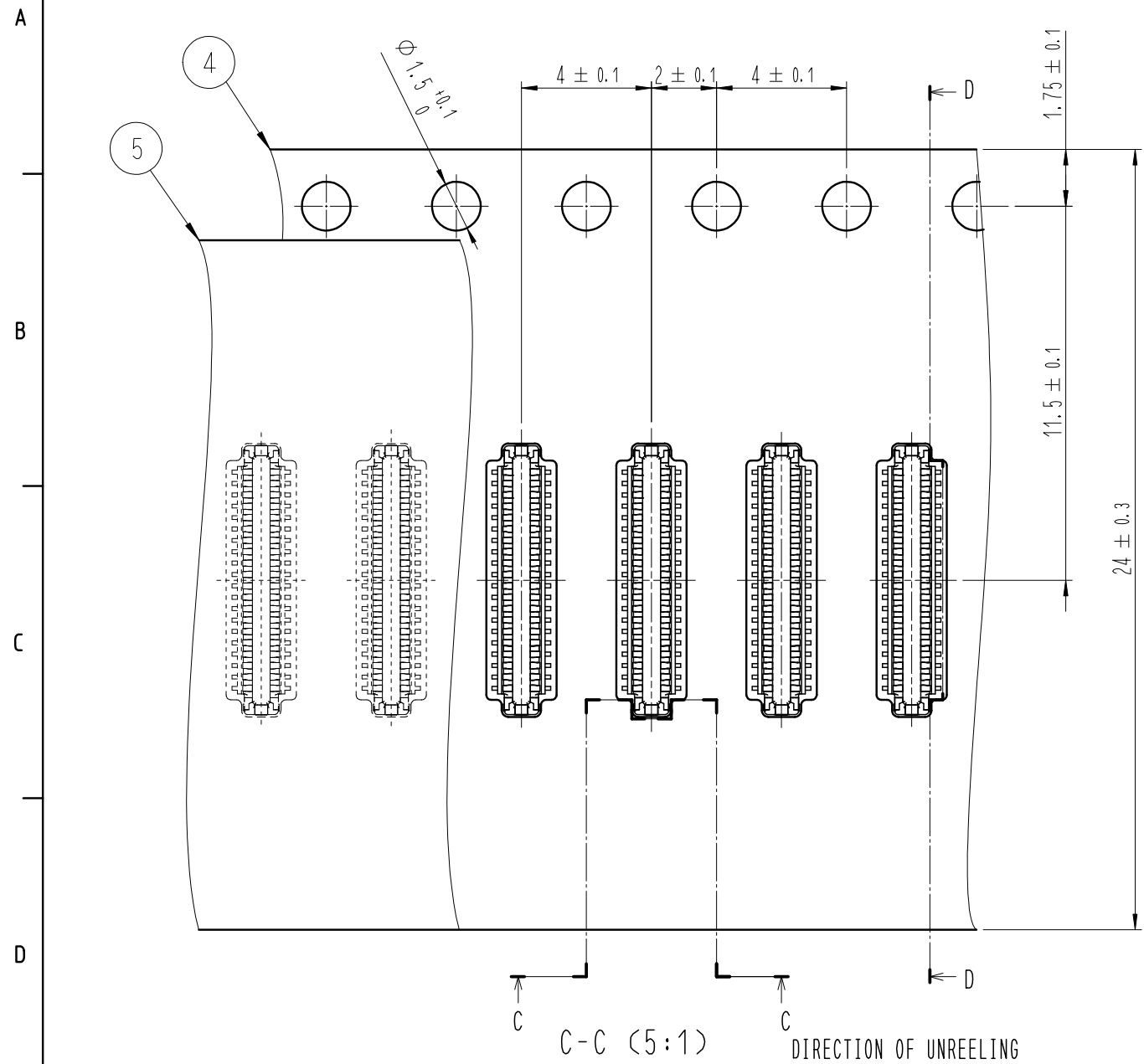
REFLOW METHOD : N<sub>2</sub> REFLOW  
 NUMBER OF REFLOW CYCLES : 2 CYCLES MAX.  
 1) REFLOW TIME  
 DURATION ABOVE 220°C, 60 SEC MAX.  
 (PEAK TEMPERATURE : 250°C MAX)  
 2) PRE-HEAT TIME  
 PRE-HEAT TEMPERATURE(MIN): 150°C  
 PRE-HEAT TEMPERATURE(MAX): 180°C  
 PRE-HEAT TIME: 90-120 SEC.

- 6 THIS TEMPERATURE PROFILE IS PER THE CONDITIONS SHOWN ABOVE. ADDITIONAL FACTORS, SUCH AS SOLDER PASTE TYPE, PCB SIZE AND OTHER MOUNTED COMPONENTS COULD AFFECT THE PROFILE, THEREFORE, A THOROUGH EVALUATION OF MOUNTING CONDITION IS REQUIRED PRIOR TO PRODUCTION. TEMPERATURE IS MEASURED AT CONTACT LEAD.
- 7 PLEASE CONTACT US IN CASE YOU WILL MAKE DIFFERENT SETTINGS FROM OUR RECOMMENDATION.
- 8 . THIS PRODUCT SATISFIES HALOGEN FREE REQUIREMENTS DEFINED AS 900ppm MAXIMUM CHLORINE, 900ppm MAXIMUM BROMINE, AND 1500ppm MAXIMUM TOTAL OF CHLORINE AND BROMINE.
- 9 . THIS PRODUCT COMPLY WITH RoHS.

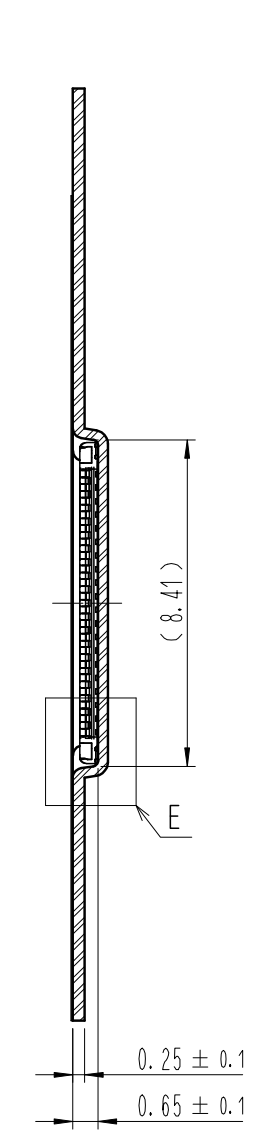
	DRAWING NO.	EDC3-632759-68	PART NO.	BK13C06-40DP/2-0.35V(868)
	SCALE	10:1	CODE NO	CL 6665-0009-0-868
UNITS	HRS HIROSE KOREA CO., LTD.			2/3

# EMBOSED CARRIER TAPE PACKAGING (5:1)

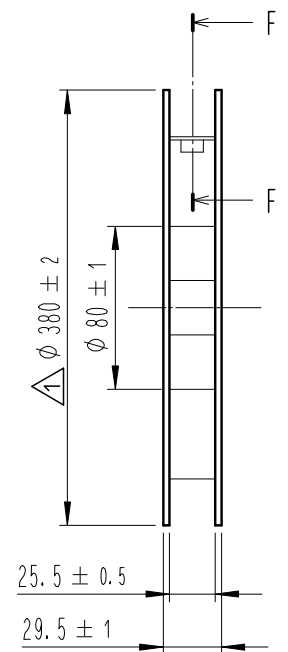
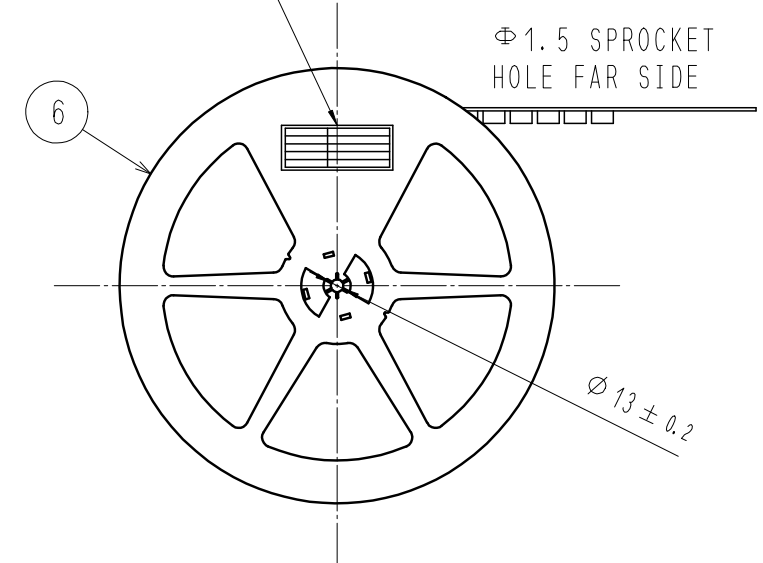
# STYLE AND DIMENSION OF REEL (FREE)



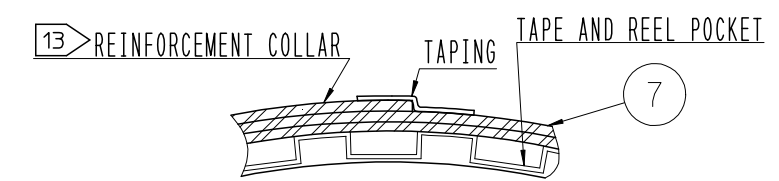
D-D (5:1)



BAR-CODE LABEL



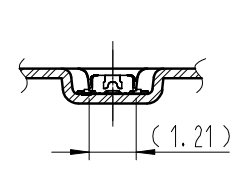
F-F (FREE)



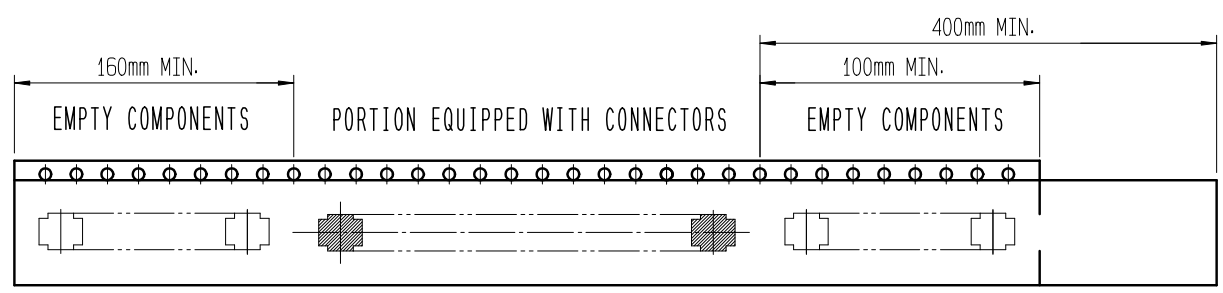
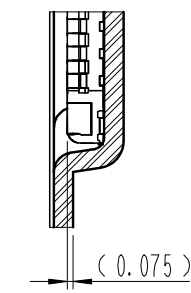
## DETAIL OF PART No. LABEL

SUPPLIER	HIROSE KOREA
QUANTITY	20,000
PART NO.	BK13C06-40DP/2-0.35V(868)
CODE NO.	CL 6665-0009-0-868
DATE OF MANUFACTURED	生産月日 年 月 日
	図番 ** ** *
品名	BK13C06-40DP/2-0.35V(868)
納入数量	$\Delta$ 20,000個
納入者	HIROSE KOREA

C-C (5:1) DIRECTION OF UNREELING



E (10:1)



12 TAPING(FREE)

- $\Delta$  10 . PER REEL 20,000 CONNECTORS.
- 11 . THE DIMENSIONS IN PARENTHESSES ARE FOR REFERENCE.
- 12 REFER TO JIS C 0806, IEC-60286-3 (PACKAGING OF COMPONENTS FOR AUTOMATIC HANDLING)
- 13 AFTER PACKAGING, ROLL 2 METERS OF THE REINFORCEMENT COLLAR TO OUTER CIRCUMFERENCE OF TAPE AND REEL POCKET. AND TAPE DOWN AT THE END THE COLLAR.

DRAWING NO. SCALE UNITS	EDC3-632759-68	PART NO. CODE NO.	BK13C06-40DP/2-0.35V(868)	3/3
	HRS HIROSE KOREA CO., LTD.		CL 6665-0009-0-868	

## X-ON Electronics

Largest Supplier of Electrical and Electronic Components

*Click to view similar products for [Board to Board & Mezzanine Connectors](#) category:*

*Click to view products by [Hirose](#) manufacturer:*

Other Similar products are found below :

[589158040000018](#) [MDF7C-18P-2.54DSA\(55\)](#) [FCN-268F036-G/BD](#) [FCN-268M012-G/0D](#) [FCN-268M024-G/1D](#) [MIS-048-01-F-D-DP-K](#)  
[832-10-034-10-001000](#) [FX4C-80S-1.27DSA](#) [93696-330](#) [224393](#) [FCN-235D050-G/C](#) [210-93-314-41-105000](#) [MDF7-40DP-2.54DSA\(55\)](#)  
[MIT-114-03-F-D-K](#) [55323-1519](#) [026-6203-PDB](#) [027-6203-PDB](#) [069159702701000](#) [101A10019X](#) [105061100000861+](#) [55650-0588-C](#) [75140-](#)  
[7012](#) [87471-650](#) [YTW-30-07-H-Q-410-140](#) [YTT-112-01-H-Q](#) [063209](#) [10124054-515LF](#) [68685-603](#) [8-1616154-3](#) [MIS-019-01-F-D](#) [YTQ-](#)  
[12103HQ](#) [541371078](#) [IL-WX-10PB-HF-B-E1000E](#) [FCN-214J100-G/0](#) [FCN-230C068-E/S](#) [354184](#) [MIT-019-04-F-D-K](#) [P50-028-DDS-TG](#)  
[53309-2471](#) [54546-2071](#) [1586617-1](#) [504208-3010](#) [504208-5010](#) [504248-1010](#) [504248-1210](#) [504248-2010](#) [LST-115-07-S-D](#) [LST-105-07-G-](#)  
[D](#) [9159005551906](#) [6258](#)