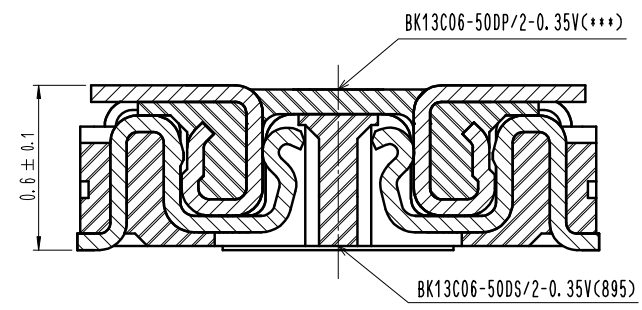


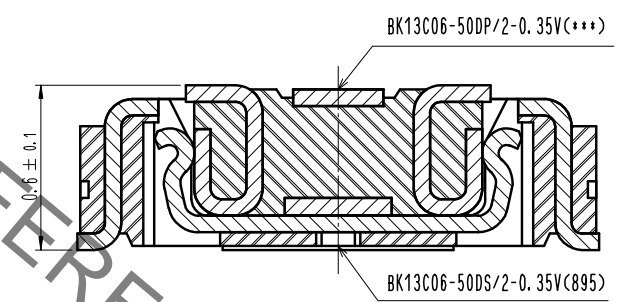
Jan.1.2022 Copyright 2022 HIROSE ELECTRIC CO., LTD. All Rights Reserved.  
 use of consideration for using Automotive equipment / device which demand high reliability, kindly contact our sales window correspond

| COUNT | DESCRIPTION OF REVISIONS | B | Y | CHKD | DATE | COUNT | DESCRIPTION OF REVISIONS | B | Y | CHKD | DATE |
|-------|--------------------------|---|---|------|------|-------|--------------------------|---|---|------|------|
| △     |                          |   |   |      |      | △     |                          |   |   |      |      |
| △     |                          |   |   |      |      | △     |                          |   |   |      |      |
| △     |                          |   |   |      |      | △     |                          |   |   |      |      |

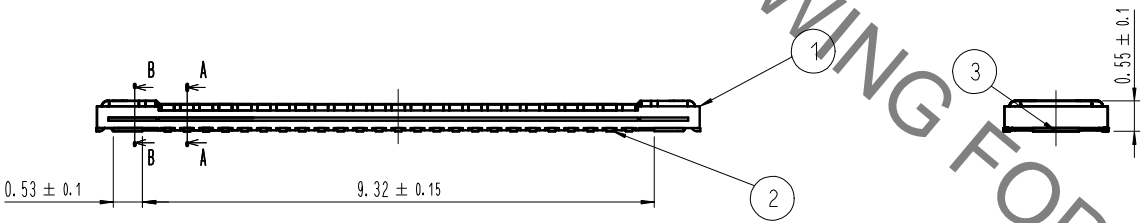
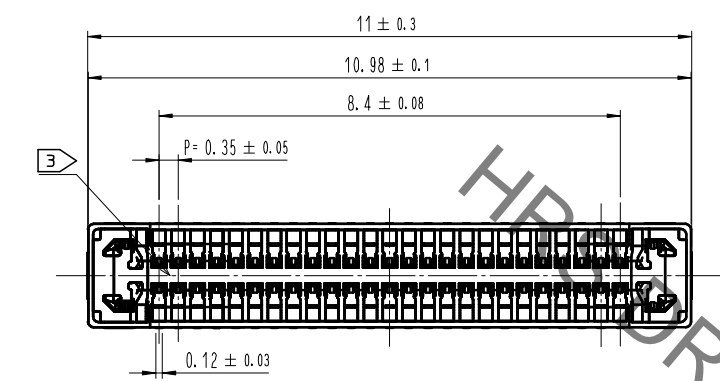
### ENGAGEMENT FIGURE (50:1)



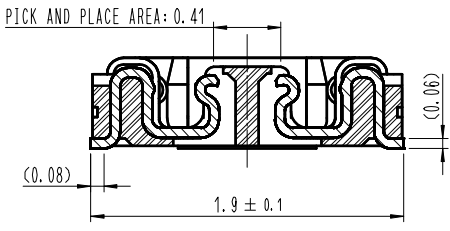
### SIGNAL CONTACT



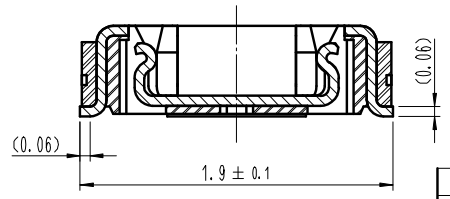
### POWER CONTACT



### A-A (30:1)



### B-B (30:1)

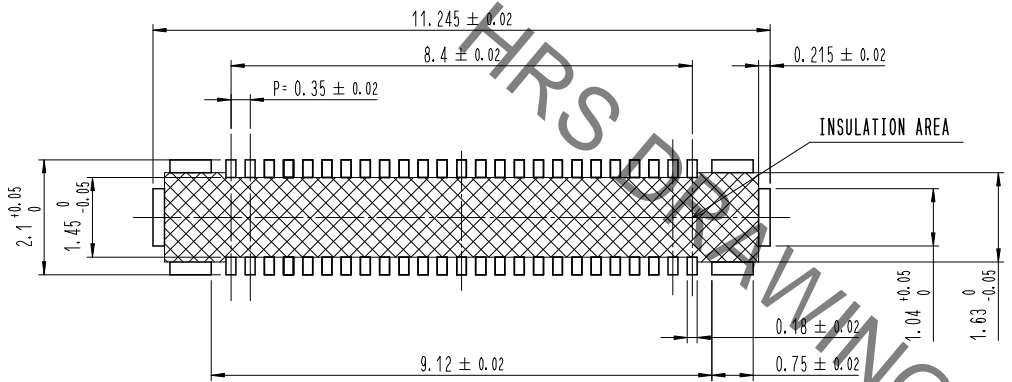


- NOTE
- 1. ALL LEAD CO-PLANARITY SHALL BE 0.08mm MAX.
  - 2. CONTACT PLATING SPECIFICATIONS  
 CONTACT AREA : GOLD 0.05 μm MIN  
 SMT LEAD : GOLD 0.05 μm MIN  
 UNDERPLATING : NICKEL 1 μm MIN  
 (SURFACE : SEALING)
  - 3. CAV NO. ARE INDICATED IN APPROX POSITION SHOWN.

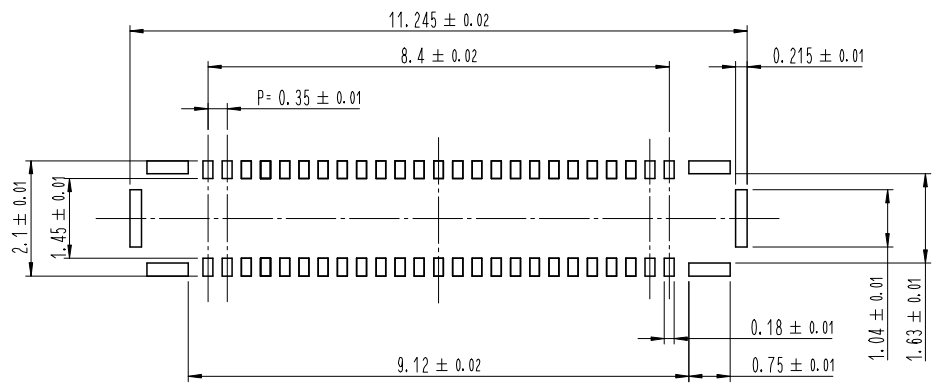
| 4              | PS                         | CLEAR (EMBOSSED CARRIER TAPE) |     |                                    |                             |                      |          |
|----------------|----------------------------|-------------------------------|-----|------------------------------------|-----------------------------|----------------------|----------|
| 3              | COPPER ALLOY               | 2                             |     |                                    |                             |                      |          |
| 2              | COPPER ALLOY               | 2                             |     |                                    |                             |                      |          |
| 1              | LCP                        | UL94 V-0, BLACK               | 6   | PS                                 |                             | BLACK (PLASTIC REEL) |          |
|                |                            |                               |     | 5                                  | POLYESTER                   | CLEAR (COVER TAPE)   |          |
| NO.            | MATERIAL                   | FINISH, REMARKS               | NO. | MATERIAL                           | FINISH, REMARKS             |                      |          |
| REMARKS        |                            |                               |     | DRAWN                              | DESIGNED                    | CHECKED              | APPROVED |
|                |                            |                               |     | D. K. YUN                          | D. K. YUN                   | H. W. JO             | H. W. JO |
|                |                            |                               |     | 20.09.25                           | 20.09.25                    | 20.09.25             | 20.09.25 |
|                |                            |                               |     | 20.09.25                           | 20.09.25                    | 20.09.25             | 20.09.25 |
| CODE NO. (OLD) | DRAWING NO. EDC3-632997-95 |                               |     | PART NO. BK13C06-50DS/2-0.35V(895) |                             |                      |          |
|                | SCALE 10:1                 | HRS HIROSE KOREA CO., LTD.    |     |                                    | CODE NO. CL 6665-0032-1-895 |                      | 1/3      |
|                | UNITS                      |                               |     |                                    |                             |                      |          |

Jan.1.2022 Copyright 2022 HIROSE ELECTRIC CO., LTD. All Rights Reserved.  
 use of consideration for using Automotive equipment / device which demand high reliability, kindly contact our sales window correspond

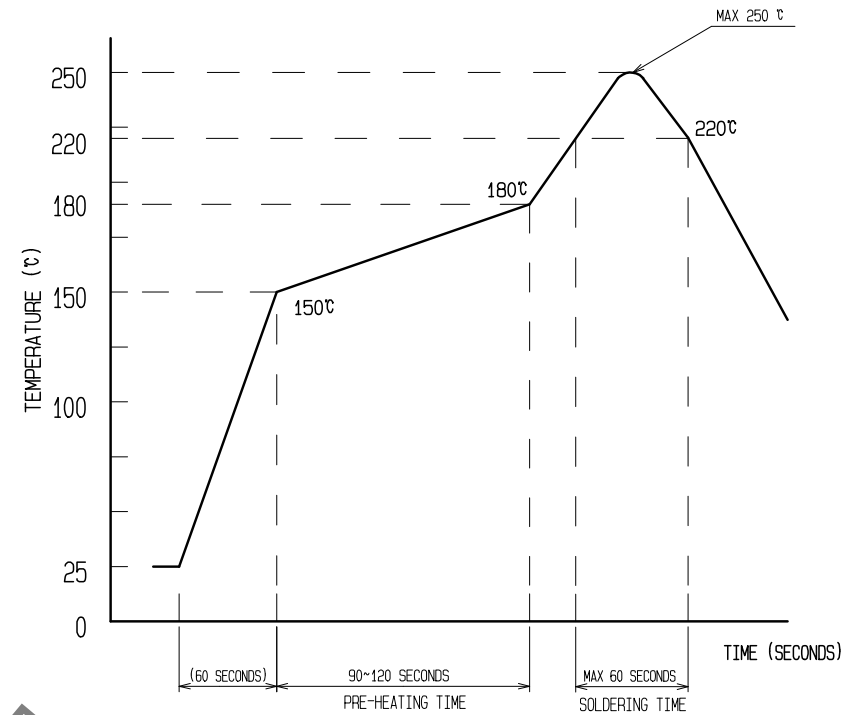
5 **RECOMMENDED PCB LAYOUT**



**RECOMMENDED METAL MASK DIMENSIONS**  
 METAL MASK THICKNESS : 80 μm



4 **RECOMMENDED REFLOW TEMPERATURE PROFILE USING LEAD-FREE SOLDER PASTE.**



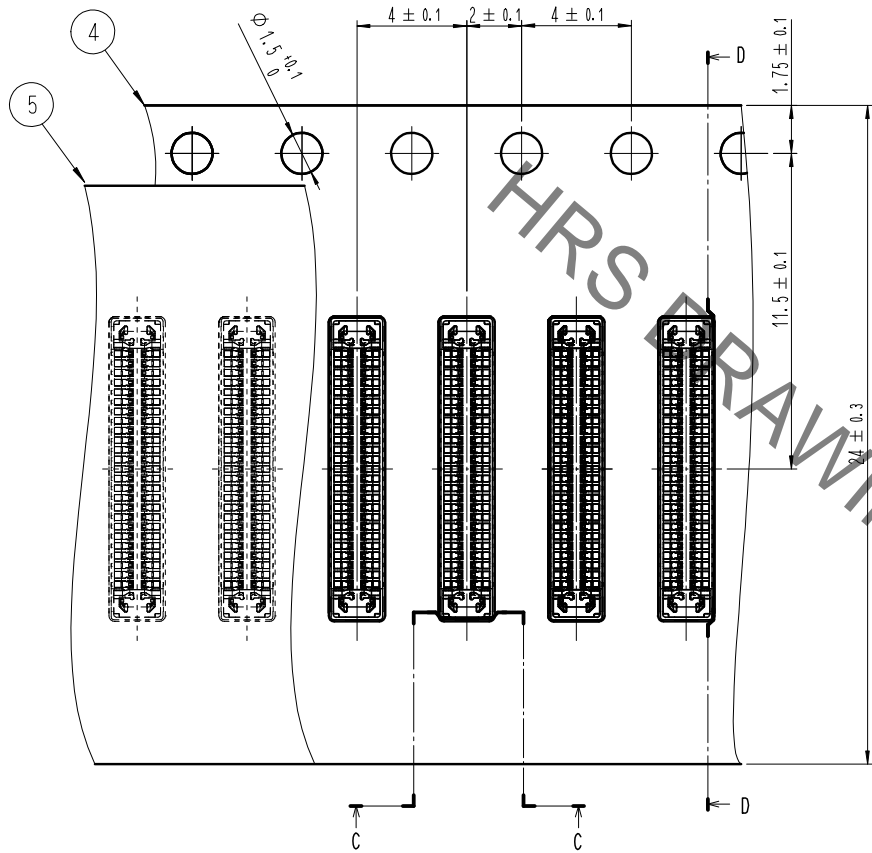
REFLOW METHOD : N<sub>2</sub> REFLOW  
 NUMBER OF REFLOW CYCLES : 2 CYCLES MAX.  
 1) REFLOW TIME  
 DURATION ABOVE 220°C. 60 SEC MAX.  
 (PEAK TEMPERATURE : 250°C MAX)  
 2) PRE-HEAT TIME  
 PRE-HEAT TEMPERATURE(MIN): 150°C  
 PRE-HEAT TEMPERATURE(MAX): 180°C  
 PRE-HEAT TIME: 90-120 SEC.

- 4 THIS TEMPERATURE PROFILE IS PER THE CONDITIONS SHOWN ABOVE. ADDITIONAL FACTORS SUCH AS SOLDER PASTE TYPE, PCB SIZE AND OTHER MOUNTED COMPONENTS COULD AFFECT THE PROFILE. THEREFORE, A THOROUGH EVALUATION OF MOUNTING CONDITION IS REQUIRED PRIOR TO PRODUCTION. TEMPERATURE IS MEASURED AT CONTACT LEAD.
- 5 PLEASE CONTACT US IN CASE YOU WILL MAKE DIFFERENT SETTINGS FROM OUR RECOMMENDATION.
- 6 THIS PRODUCT SATISFIES HALOGEN FREE REQUIREMENTS DEFINED AS 900ppm MAXIMUM CHLORINE, 900ppm MAXIMUM BROMINE, AND 1500ppm MAXIMUM TOTAL OF CHLORINE AND BROMINE.
- 7 THIS PRODUCT COMPLY WITH RoHS.

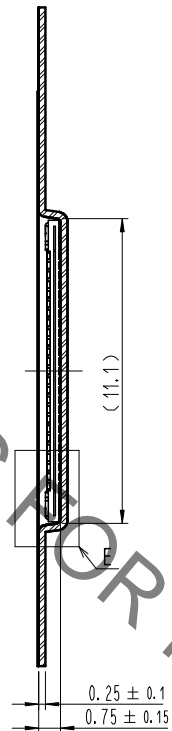
|                            |                            |                                    |
|----------------------------|----------------------------|------------------------------------|
| <br>SCALE 10:1<br>UNITS mm | DRAWING NO. EDC3-632997-95 | PART NO. BK13C06-50DS/2-0.35V(895) |
|                            | HIROSE KOREA CO., LTD.     |                                    |
|                            | CODE NO CL 6665-0032-1-895 | 2/3                                |

Jan.1.2022 Copyright 2022 HIROSE ELECTRIC CO., LTD. All Rights Reserved.  
 use of consideration for using Automotive equipment / device which demand high reliability, kindly contact our sales window correspond

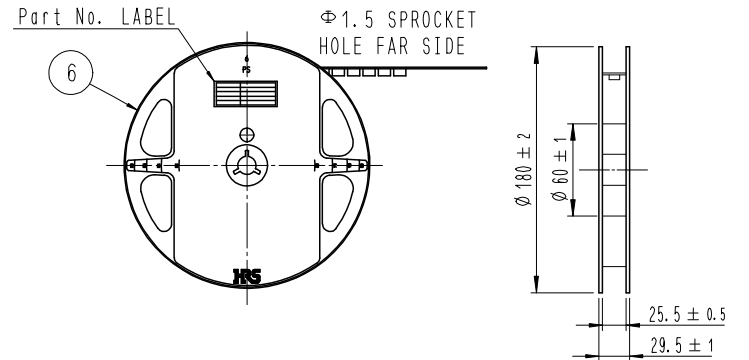
# EMBOSSED CARRIER TAPE PACKAGING (5:1)



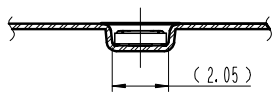
## D-D (5:1)



## STYLE AND DIMENSION OF REEL (FREE)



## C-C (5:1)



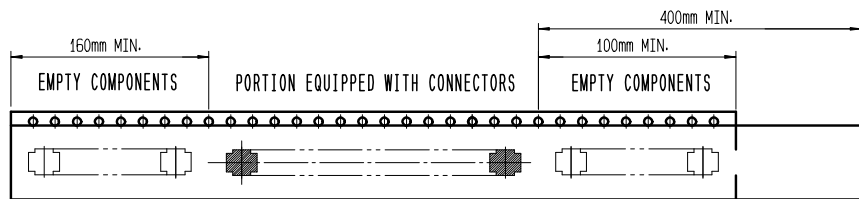
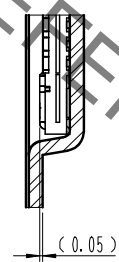
DIRECTION OF UNREELING



## DETAIL OF PART No. LABEL

|                      |                           |
|----------------------|---------------------------|
| SUPPLIER             | HIROSE                    |
| QUANTITY             | 1,000                     |
| PART NO.             | BK13C06-50DS/2-0.35V(895) |
| CODE NO.             | CL 6665-0032-1-895        |
| DATE OF MANUFACTURED | 年 月 日                     |
| 生産月日                 | 年 月 日                     |
| 図番                   | ** ** *                   |
| 品名                   | BK13C06-50DS/2-0.35V(895) |
| 納入数量                 | 1,000個                    |
| 納入者                  | HIROSE KOREA              |

## F (10:1)



TAPING(FREE)

8 . PER REEL 1,000 CONNECTORS.

9 . THE DIMENSIONS IN PARENTHESES ARE FOR REFERENCE.

10 > REFER TO JIS C 0806, IEC-60286-3 (PACKAGING OF COMPONENTS FOR AUTOMATIC HANDLING)

|                            |                            |                                    |
|----------------------------|----------------------------|------------------------------------|
| <br>SCALE 10:1<br>UNITS mm | DRAWING NO. EDC3-632997-95 | PART NO. BK13C06-50DS/2-0.35V(895) |
|                            | HIROSE KOREA CO., LTD.     | CODE NO. CL 6665-0032-1-895        |

## X-ON Electronics

Largest Supplier of Electrical and Electronic Components

*Click to view similar products for [Board to Board & Mezzanine Connectors](#) category:*

*Click to view products by [Hirose](#) manufacturer:*

Other Similar products are found below :

[589158040000018](#) [FCN-230C068-11](#) [FCN-268F012-G/BD](#) [FCN-268F036-G/BD](#) [FCN-268M012-G/0D](#) [FCN-268M024-G/1D](#) [FCN-723J004/1](#) [MIS-048-01-F-D-DP-K](#) [832-10-034-10-001000](#) [FX4C-80S-1.27DSA](#) [FCN-214Q030-G/0](#) [FCN-234P048-G/0](#) [FCN-235D050-G/C](#) [2-22603-0](#) [AXG720047](#) [5031084030](#) [MIT-114-03-F-D-K](#) [55323-1519](#) [YFT-20-05-H-03-SB-K](#) [503308-3040](#) [026-6203-PDB](#) [027-6203-PDB](#) [069159702701000](#) [10123981-102LF](#) [101A10019X](#) [55650-0588-C](#) [68682-310LF](#) [68684-306](#) [75140-7012](#) [87471-650](#) [YTW-30-07-H-Q-410-140](#) [194261-1](#) [FCN-268F024-G0D](#) [10124054-515LF](#) [68685-603](#) [8-1616154-3](#) [MIS-019-01-F-D](#) [FCN-268M024-G/3D](#) [FCN-268M036-G/BD](#) [20021832-06016C1LF](#) [KX15-20KLDL-E1000E](#) [AXE810124](#) [FCN-214J100-G/0](#) [FCN-230C068-E/S](#) [AXE812124](#) [AXE816124](#) [AXE720127](#) [354184](#) [MIT-019-04-F-D-K](#) [P50-028-DDS-TG](#)