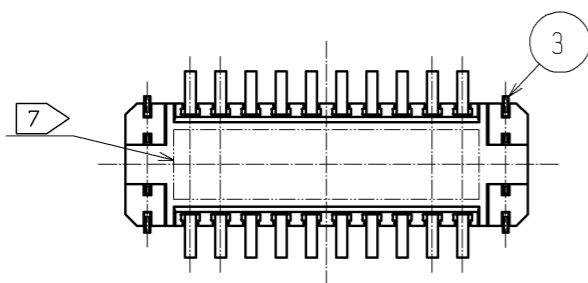
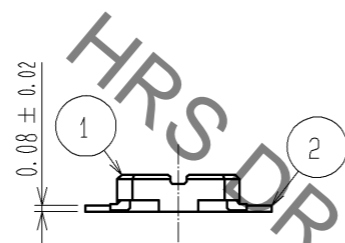
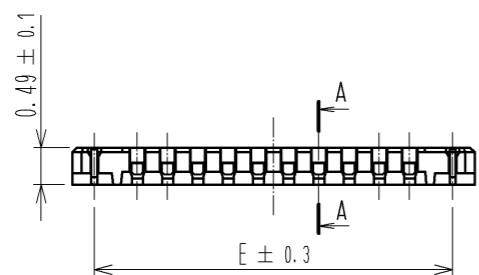
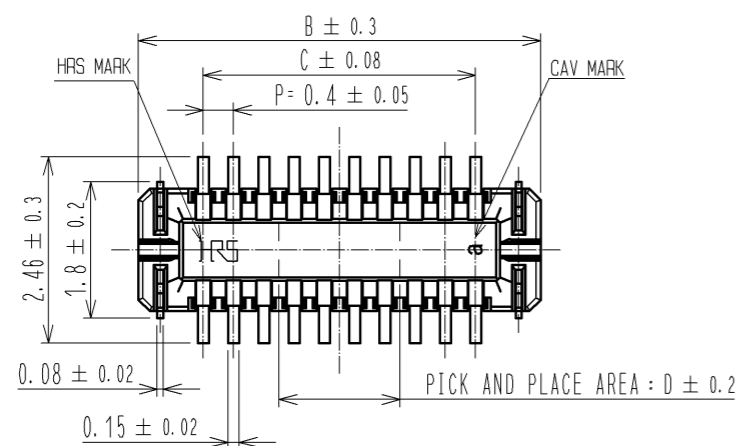


Apr.1.2019 Copyright 2019 HIROSE ELECTRIC CO., LTD. All Rights Reserved.
In case of consideration for using Automotive equipment / device which demand high reliability, kindly contact our sales window correspondents.



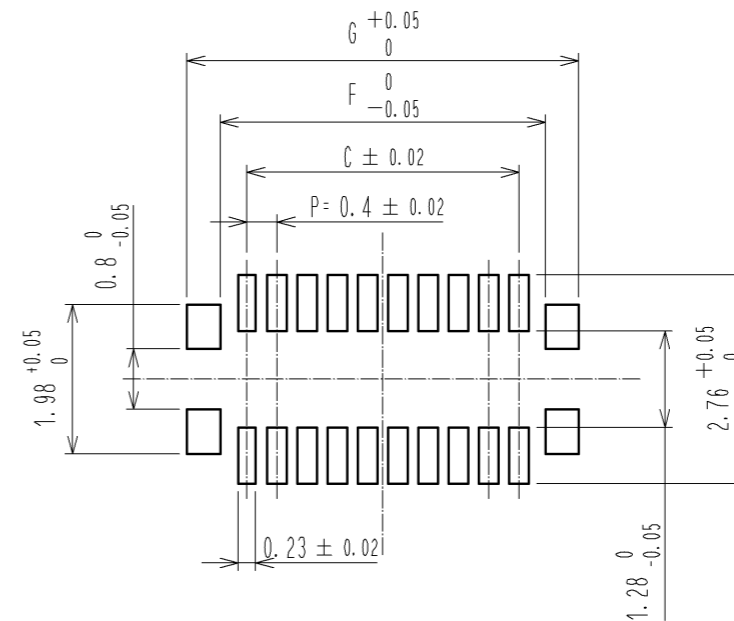
NOTE 1. ALL LEADS CO-PLANARITY SHALL BE 0.1mm MAX.
2. PER REEL : 8000 CONNECTORS.
3. AT THE BEGINNING OF THE REEL, 100 mm AT MIN SHALL BE EMPTY POCKETS.
AT THE END OF THE REEL, 160 mm AT MIN SHALL BE EMPTY.

4 CONTACT PLATING SPECIFICATIONS.
CONTACT AREA : GOLD 0.05μm MIN.
SMT LEAD : GOLD 0.05μm MIN.
UNDERPLATING : NICKEL 1μm MIN.
(SURFACE : SEALING)

5 METAL HOLD DOWN PLATING SPECIFICATIONS.
MOUNTING AREA: GOLD 0.05μm MIN.
UNDERPLATING : NICKEL 1μm MIN.
6. PEEL FORCE REFERS TO JIS C 0806.

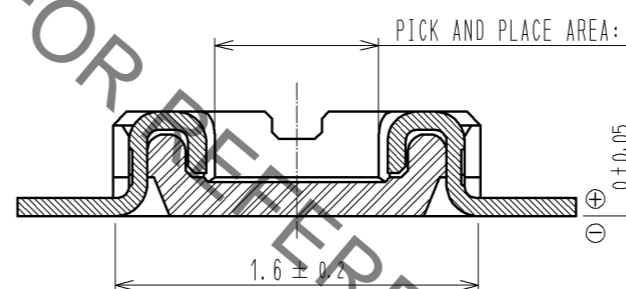
7 CONCAVE FOR STABILIZING COPLANARITY MIGHT BE SET UP AT THE INDICATED POSITION.
8 PLEASE CONTACT US IN CASE YOU WILL MAKE DIFFERENT SETTINGS FROM OUR RECOMMENDATION.

8 RECOMMENDED PATTERN

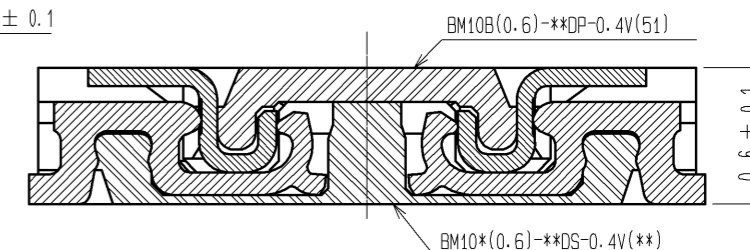


8 RECOMMENDED SOLDER PASTE : THICKNESS 100μm
8 RECOMMENDED METAL MASK OPENING RATIO : 100%

A-A



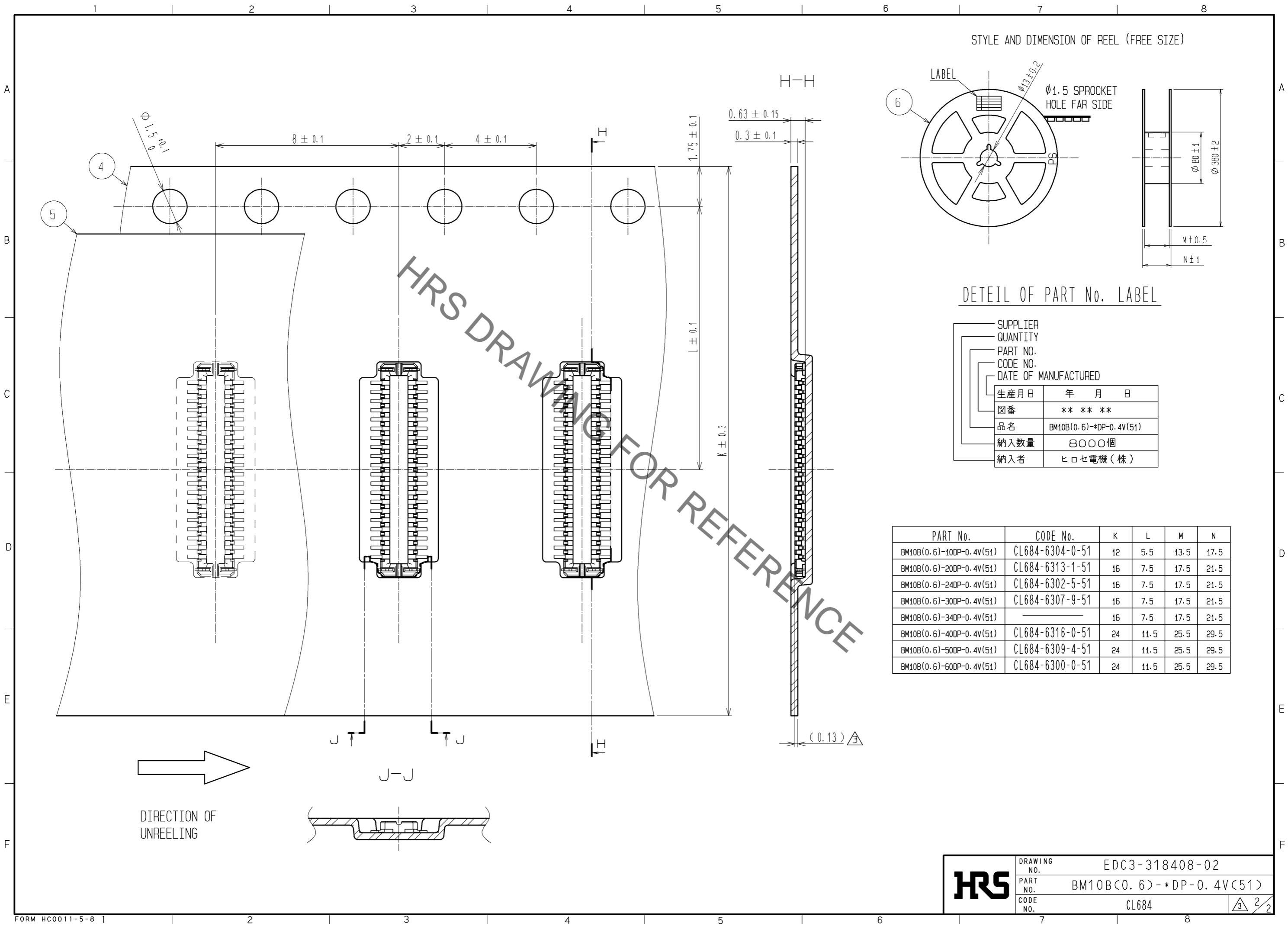
ENGAGEMENT FIGURE



PART No.	CODE No.	B	C	D	E	F	G
BM10B(0.6)-10DP-0.4V(51)	CL684-6304-0-51	3.32	1.6	0.8	2.74	2.3	3.18
BM10B(0.6)-20DP-0.4V(51)	CL684-6313-1-51	5.32	3.6	1.6	4.74	4.3	5.18
BM10B(0.6)-24DP-0.4V(51)	CL684-6302-5-51	6.12	4.4	2.0	5.54	5.1	5.98
BM10B(0.6)-30DP-0.4V(51)	CL684-6307-9-51	7.32	5.6	2.0	6.74	6.3	7.18
BM10B(0.6)-34DP-0.4V(51)	---	8.12	6.4	2.4	7.54	7.1	7.98
BM10B(0.6)-40DP-0.4V(51)	CL684-6316-0-51	9.32	7.6	2.4	8.74	8.3	9.18
BM10B(0.6)-50DP-0.4V(51)	CL684-6309-4-51	11.32	9.6	2.8	10.74	10.3	11.18
BM10B(0.6)-60DP-0.4V(51)	CL684-6300-0-51	13.32	11.6	3.2	12.74	12.3	13.18

3	PHOSPHOR BRONZE	5	6	PS	PLASTIC REEL (BLACK)		
2	PHOSPHOR BRONZE	4	5	POLYESTER	CLEAR (COVER TAPE)		
1	LCP	UL94V-0, BLACK	4	PS	CLEAR (EMBOSSED CARRIER TAPE)		
NO.	MATERIAL	FINISH, REMARKS	NO.	MATERIAL	FINISH, REMARKS		
UNITS mm	⊕	SCALE 10 : 1	COUNT 5	DESCRIPTION OF REVISIONS DIS-H-005446	DESIGNED KR. AJITO	CHECKED AR. TAKAHASHI	DATE 11. 01. 12
APPROVED : KH. IKEDA		08. 07. 16		DRAWING NO. EDC3-318408-02			
CHECKED : KY. MIDORIKAWA		08. 07. 16		PART NO. BM10B(0.6)-*DP-0.4V(51)			
DESIGNED : YH. MICHIDA		08. 07. 16		CODE NO. CL684			
DRAWN : YH. MICHIDA		08. 07. 16		1/2			

Apr.1.2019 Copyright 2019 HIROSE ELECTRIC CO., LTD. All Rights Reserved.
 In case of consideration for using Automotive equipment / device which demand high reliability, kindly contact our sales window correspondents.

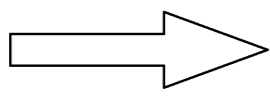


HRS DRAWING FOR REFERENCE

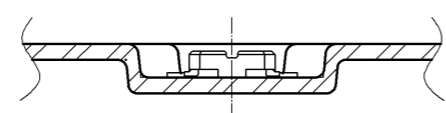
DETEIL OF PART No. LABEL

SUPPLIER	
QUANTITY	
PART NO.	
CODE NO.	
DATE OF MANUFACTURED	
生産月日	年 月 日
図番	** ** *
品名	BM10B(0.6)-*DP-0.4V(51)
納入数量	8000個
納入者	ヒロセ電機(株)

PART No.	CODE No.	K	L	M	N
BM10B(0.6)-10DP-0.4V(51)	CL684-6304-0-51	12	5.5	13.5	17.5
BM10B(0.6)-20DP-0.4V(51)	CL684-6313-1-51	16	7.5	17.5	21.5
BM10B(0.6)-24DP-0.4V(51)	CL684-6302-5-51	16	7.5	17.5	21.5
BM10B(0.6)-30DP-0.4V(51)	CL684-6307-9-51	16	7.5	17.5	21.5
BM10B(0.6)-34DP-0.4V(51)		16	7.5	17.5	21.5
BM10B(0.6)-40DP-0.4V(51)	CL684-6316-0-51	24	11.5	25.5	29.5
BM10B(0.6)-50DP-0.4V(51)	CL684-6309-4-51	24	11.5	25.5	29.5
BM10B(0.6)-60DP-0.4V(51)	CL684-6300-0-51	24	11.5	25.5	29.5



DIRECTION OF UNREELING



HRS	DRAWING NO.	EDC3-318408-02		
	PART NO.	BM10B(0.6)-*DP-0.4V(51)		
	CODE NO.	CL684	3	2/2

X-ON Electronics

Largest Supplier of Electrical and Electronic Components

Click to view similar products for [Board to Board & Mezzanine Connectors](#) category:

Click to view products by [Hirose](#) manufacturer:

Other Similar products are found below :

[589158040000018](#) [MDF7C-18P-2.54DSA\(55\)](#) [FCN-230C068-11](#) [FCN-268F012-G/BD](#) [FCN-268F036-G/BD](#) [FCN-268M012-G/0D](#) [FCN-268M024-G/1D](#) [FCN-723J004/1](#) [MIS-048-01-F-D-DP-K](#) [832-10-034-10-001000](#) [FX4C-80S-1.27DSA](#) [FCN-214Q030-G/0](#) [FCN-234P048-G/0](#) [FCN-235D050-G/C](#) [210-93-314-41-105000](#) [2-22603-0](#) [MDF7-40DP-2.54DSA\(55\)](#) [AXG720047](#) [MIT-114-03-F-D-K](#) [55323-1519](#) [DF33-2P-3.3DSA\(24\)](#) [YFT-20-05-H-03-SB-K](#) [503308-3040](#) [026-6203-PDB](#) [027-6203-PDB](#) [069159702701000](#) [10123981-102LF](#) [101A10019X](#) [55650-0588-C](#) [68682-310LF](#) [68684-306](#) [75140-7012](#) [87471-650](#) [YTW-30-07-H-Q-410-140](#) [FCN-268F024-G0D](#) [10124054-515LF](#) [68685-603](#) [8-1616154-3](#) [MIS-019-01-F-D](#) [FCN-268M024-G/3D](#) [FCN-268M036-G/BD](#) [20021832-06016C1LF](#) [KX15-20KLDL-E1000E](#) [AXE810124](#) [FCN-214J100-G/0](#) [FCN-230C068-E/S](#) [AXE812124](#) [AXE816124](#) [AXE720127](#) [354184](#)