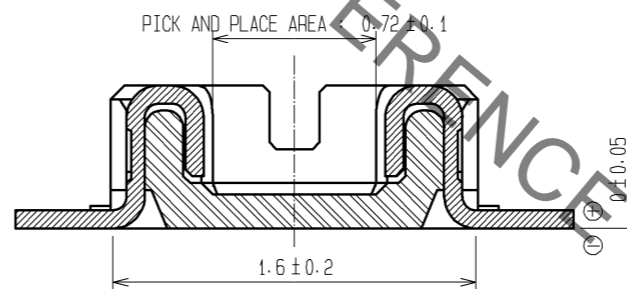
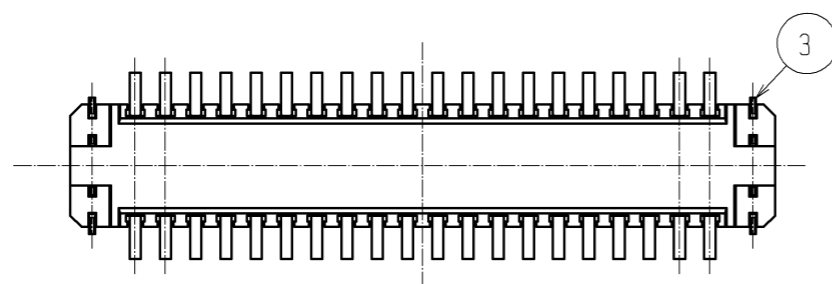
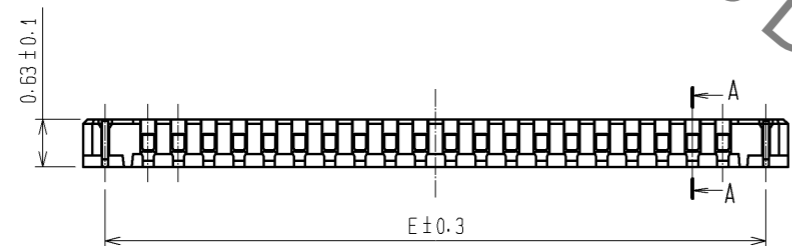
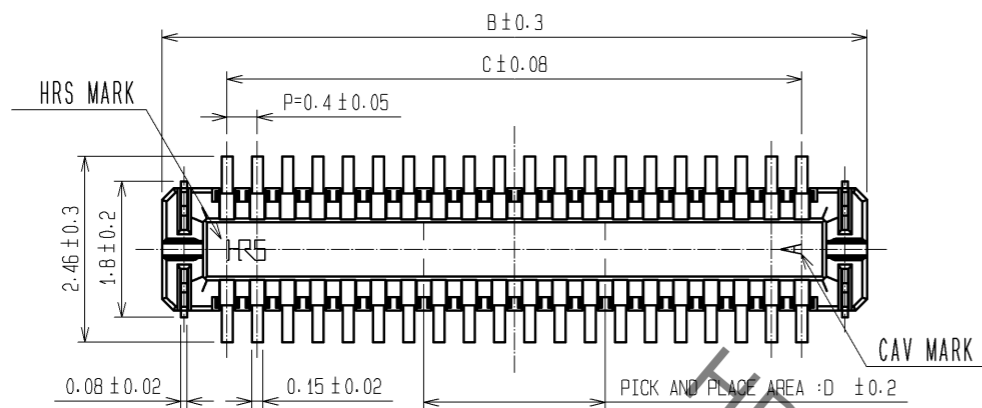
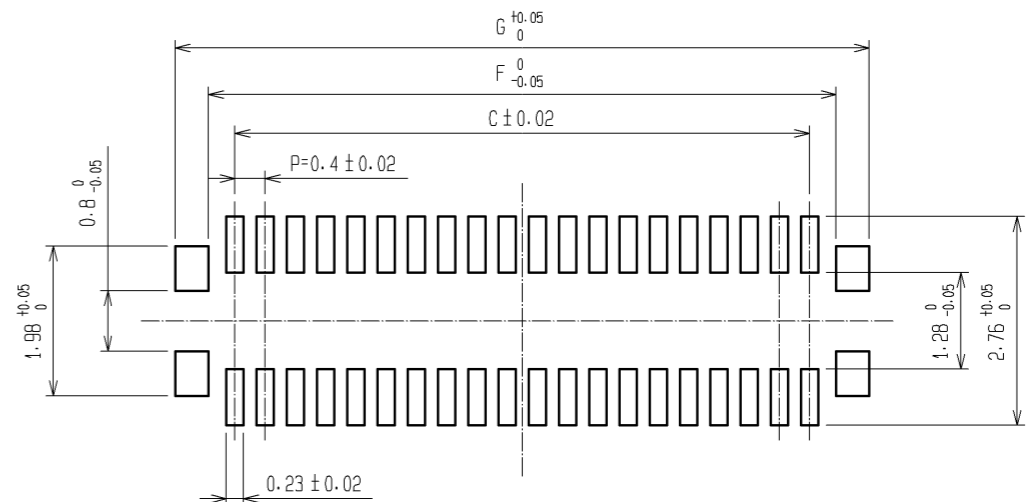


Aug.1.2021 Copyright 2021 HIROSE ELECTRIC CO., LTD. All Rights Reserved.  
In case of consideration for using Automotive equipment / device which demand high reliability, kindly contact our sales window correspondents.



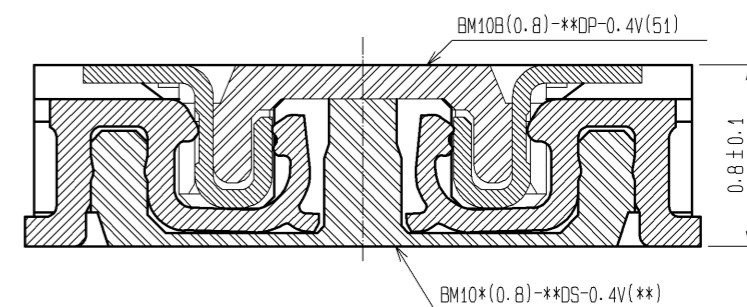
△ 7 RECOMMENDED PATTERN



△ 7 RECOMMENDED SOLDER PASTE : THICKNESS 120μm

△ 7 RECOMMENDED METAL MASK OPENING RATIO : 100%

ENGAGEMENT FIGURE



- NOTE 1. ALL LEADS CO-PLANARITY SHALL BE 0.1 MAX.  
 2. PER REEL : 8000 CONNECTORS.  
 3. AT THE BEGINNING OF THE REEL, 100 mm AT MIN SHALL BE EMPTY POCKETS.  
 AT THE END OF THE REEL, 160 mm AT MIN SHALL BE EMPTY.

6. PEEL FORCE OF COVER TAPE REFERS TO JIS C 0806.

7 PLEASE CONTACT US IN CASE YOU WILL MAKE DIFFERENT SETTINGS FROM OUR RECOMMENDATION.

4 CONTACT PLATING SPECIFICATIONS.

CONTACT AREA : GOLD 0.05μm MIN.  
 SMT LEAD : GOLD 0.05μm MIN.  
 UNDERPLATING : NICKEL 1μm MIN.  
 (SURFACE : SEALING)

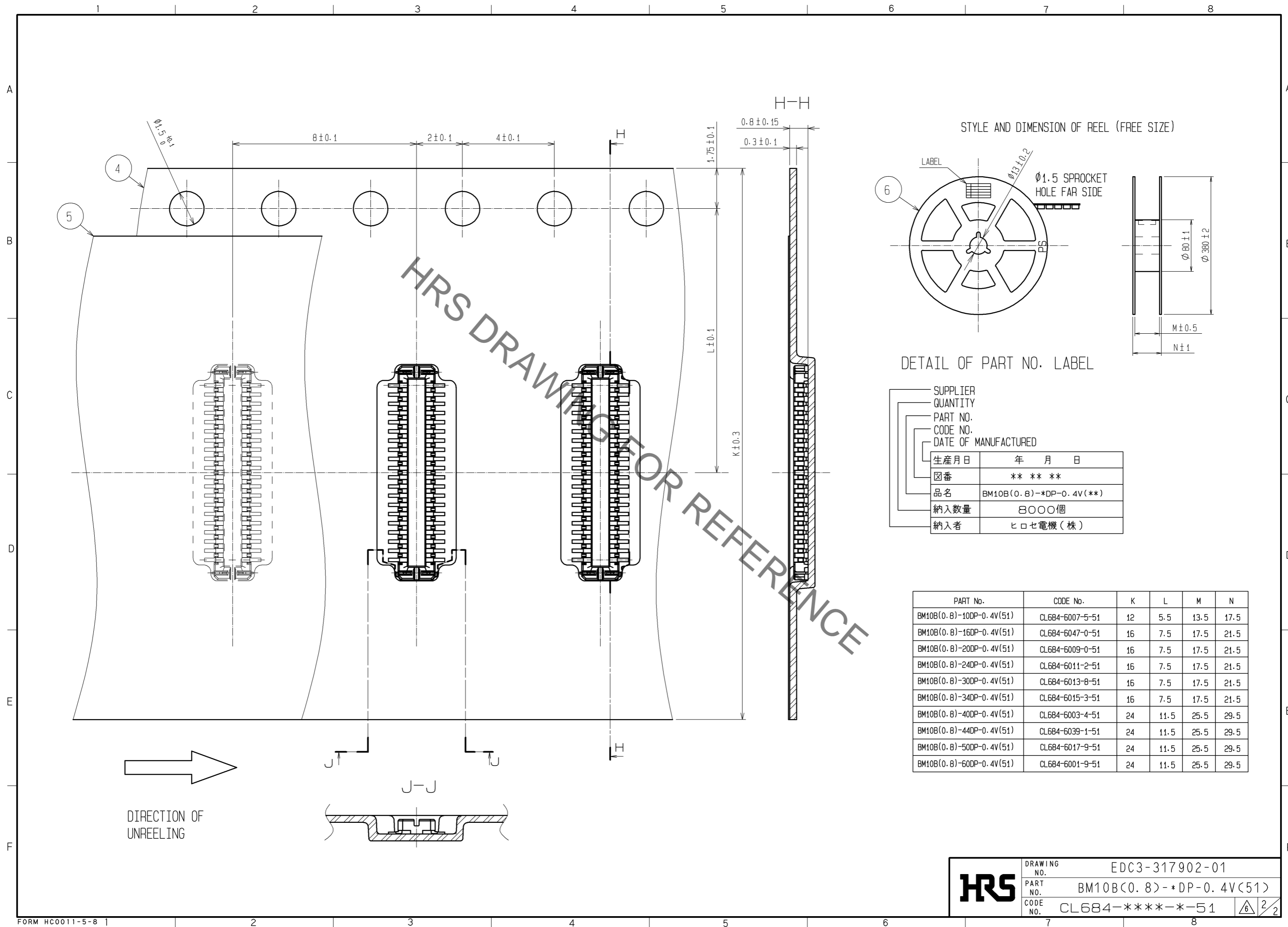
5 METAL HOLD DOWN PLATING SPECIFICATIONS.

MOUNTING AREA: GOLD 0.05μm MIN.  
 UNDERPLATING : NICKEL 1μm MIN.

PART No.	CODE No.	B	C	D	E	F	G
BM10B(0.8)-10DP-0.4V(51)	CL684-6007-5-51	3.32	1.6	0.8	2.74	2.3	3.18
BM10B(0.8)-16DP-0.4V(51)	CL684-6047-0-51	4.52	2.8	1.6	3.94	3.5	4.38
BM10B(0.8)-20DP-0.4V(51)	CL684-6009-0-51	5.32	3.6	1.6	4.74	4.3	5.18
BM10B(0.8)-24DP-0.4V(51)	CL684-6011-2-51	6.12	4.4	2.0	5.54	5.1	5.98
BM10B(0.8)-30DP-0.4V(51)	CL684-6013-8-51	7.32	5.6	2.0	6.74	6.3	7.18
BM10B(0.8)-34DP-0.4V(51)	CL684-6015-3-51	8.12	6.4	2.4	7.54	7.1	7.98
BM10B(0.8)-40DP-0.4V(51)	CL684-6003-4-51	9.32	7.6	2.4	8.74	8.3	9.18
BM10B(0.8)-44DP-0.4V(51)	CL684-6039-1-51	10.12	8.4	2.8	9.54	9.1	9.88
BM10B(0.8)-50DP-0.4V(51)	CL684-6017-9-51	11.32	9.6	2.8	10.74	10.3	11.18
BM10B(0.8)-60DP-0.4V(51)	CL684-6001-9-51	13.32	11.6	3.2	12.74	12.3	13.18

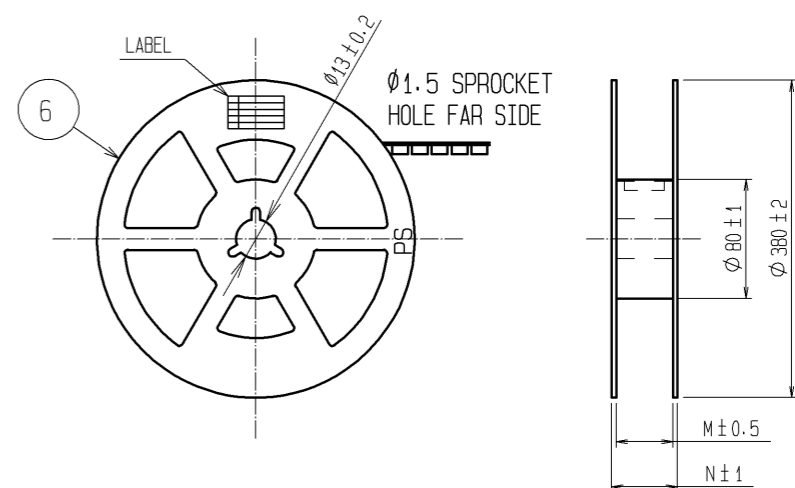
3	PHOSPHOR BRONZE	5	6	PS	PLASTIC REEL (BLACK)			
2	PHOSPHOR BRONZE	4	5	POLYESTER	CLEAR(COVER TAPE)			
1	LCP	UL94V-0. BLACK	4	PS	CLEAR(EMBOSSED CARRIER TAPE)			
NO.	MATERIAL	FINISH . REMARKS	NO.	MATERIAL	FINISH . REMARKS			
UNITS	mm	SCALE	10 : 1	COUNT	3			
DESCRIPTION OF REVISIONS			DESIGNED	NY. YAMASHIRO	CHECKED	TS. MIYAZAKI	DATE	10.11.29
APPROVED : KH. IKEDA 08.01.23			DRAWING NO.			EDC3-317902-01		
CHECED : KY. MIDORIKAWA 08.01.23			PART NO.			BM10B(0.8)-*DP-0.4V(51)		
DESIGNED : TH. ARAI 08.01.16			CODE NO.			CL684-****-*-51		
DRAWN : SH. HOSODA 08.01.12						1/2		

Aug.1.2021 Copyright 2021 HIROSE ELECTRIC CO., LTD. All Rights Reserved.  
 In case of consideration for using Automotive equipment / device which demand high reliability, kindly contact our sales window correspondents.



HRS DRAWING FOR REFERENCE

STYLE AND DIMENSION OF REEL (FREE SIZE)



SUPPLIER	
QUANTITY	
PART NO.	
CODE NO.	
DATE OF MANUFACTURED	
生産月日	年 月 日
図番	** ** *
品名	BM10B(0.8)-*DP-0.4V(**)
納入数量	8000個
納入者	ヒロセ電機(株)

PART No.	CODE No.	K	L	M	N
BM10B(0.8)-10DP-0.4V(51)	CL684-6007-5-51	12	5.5	13.5	17.5
BM10B(0.8)-16DP-0.4V(51)	CL684-6047-0-51	16	7.5	17.5	21.5
BM10B(0.8)-20DP-0.4V(51)	CL684-6009-0-51	16	7.5	17.5	21.5
BM10B(0.8)-24DP-0.4V(51)	CL684-6011-2-51	16	7.5	17.5	21.5
BM10B(0.8)-30DP-0.4V(51)	CL684-6013-8-51	16	7.5	17.5	21.5
BM10B(0.8)-34DP-0.4V(51)	CL684-6015-3-51	16	7.5	17.5	21.5
BM10B(0.8)-40DP-0.4V(51)	CL684-6003-4-51	24	11.5	25.5	29.5
BM10B(0.8)-44DP-0.4V(51)	CL684-6039-1-51	24	11.5	25.5	29.5
BM10B(0.8)-50DP-0.4V(51)	CL684-6017-9-51	24	11.5	25.5	29.5
BM10B(0.8)-60DP-0.4V(51)	CL684-6001-9-51	24	11.5	25.5	29.5

➔  
DIRECTION OF UNREELING

<b>HRS</b>	DRAWING NO.	EDC3-317902-01	
	PART NO.	BM10B(0.8)-*DP-0.4V(51)	
	CODE NO.	CL684-****-*-51	△ 2/2

## X-ON Electronics

Largest Supplier of Electrical and Electronic Components

*Click to view similar products for [Board to Board & Mezzanine Connectors](#) category:*

*Click to view products by [Hirose](#) manufacturer:*

Other Similar products are found below :

[589158040000018](#) [MDF7C-18P-2.54DSA\(55\)](#) [FCN-230C068-11](#) [FCN-268F012-G/BD](#) [FCN-268F036-G/BD](#) [FCN-268M012-G/0D](#) [FCN-268M024-G/1D](#) [FCN-723J004/1](#) [MIS-048-01-F-D-DP-K](#) [832-10-034-10-001000](#) [FX4C-80S-1.27DSA](#) [FCN-214Q030-G/0](#) [FCN-234P048-G/0](#) [FCN-235D050-G/C](#) [210-93-314-41-105000](#) [2-22603-0](#) [MDF7-40DP-2.54DSA\(55\)](#) [AXG720047](#) [MIT-114-03-F-D-K](#) [55323-1519](#) [DF33-2P-3.3DSA\(24\)](#) [YFT-20-05-H-03-SB-K](#) [503308-3040](#) [026-6203-PDB](#) [027-6203-PDB](#) [069159702701000](#) [10123981-102LF](#) [101A10019X](#) [55650-0588-C](#) [68682-310LF](#) [68684-306](#) [75140-7012](#) [87471-650](#) [YTW-30-07-H-Q-410-140](#) [FCN-268F024-G0D](#) [10124054-515LF](#) [68685-603](#) [8-1616154-3](#) [MIS-019-01-F-D](#) [FCN-268M024-G/3D](#) [FCN-268M036-G/BD](#) [20021832-06016C1LF](#) [KX15-20KLDL-E1000E](#) [AXE810124](#) [FCN-214J100-G/0](#) [FCN-230C068-E/S](#) [AXE812124](#) [AXE816124](#) [AXE720127](#) [354184](#)