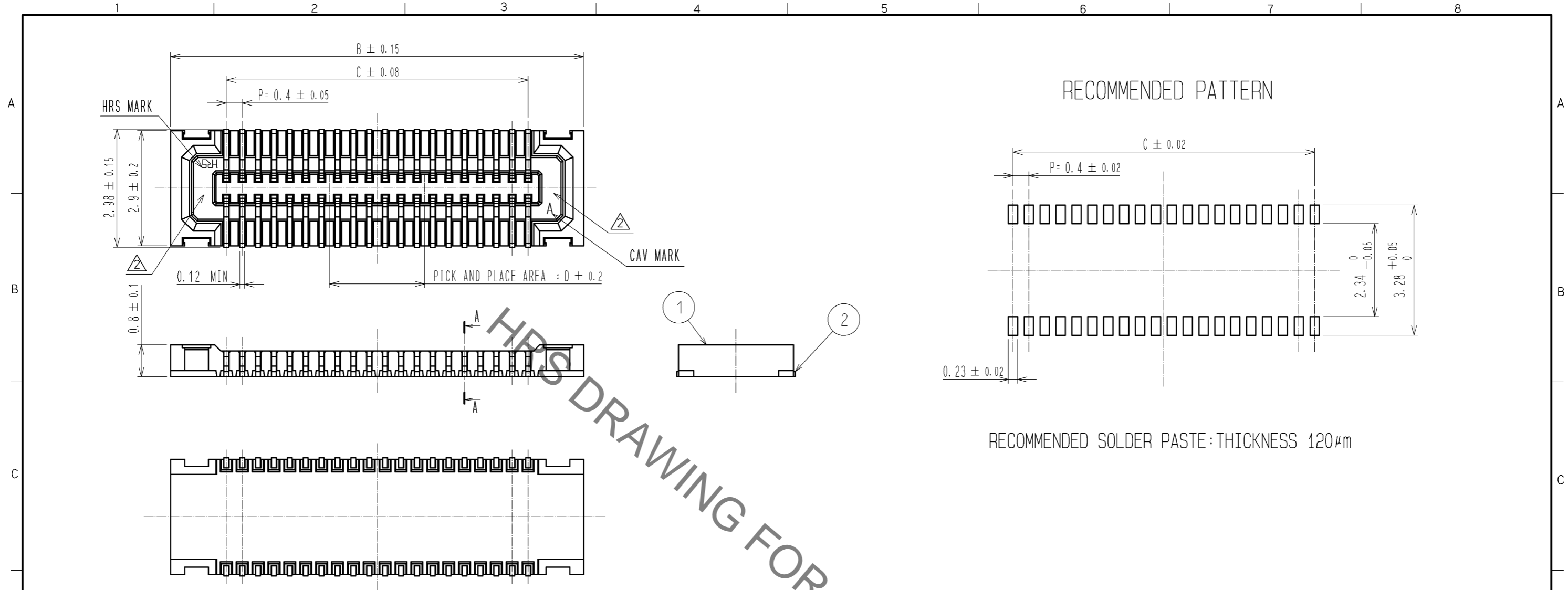
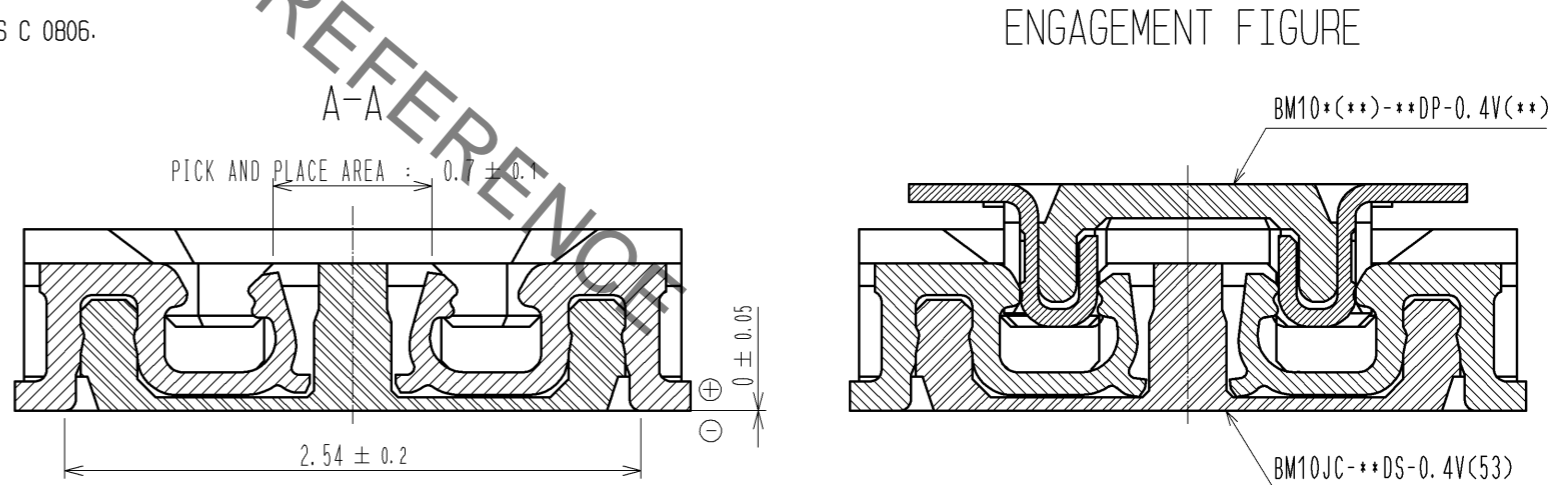


Aug.1.2021 Copyright 2021 HIROSE ELECTRIC CO., LTD. All Rights Reserved.  
In case of consideration for using Automotive equipment / device which demand high reliability, kindly contact our sales window correspondents.



- NOTE 1. ALL LEADS CO-PLANARITY SHALL BE 0.1 MAX.  
 2. PER REEL : 1000 CONNECTORS.  
 3. AT THE BEGINNING OF THE REEL, 100 mm AT MIN SHALL BE EMPTY POCKETS.  
 AT THE END OF THE REEL, 160 mm AT MIN SHALL BE EMPTY.  
 4 CONTACT PLATING SPECIFICATIONS.  
 CONTACT AREA : GOLD 0.05µm MIN.  
 SMT LEAD : GOLD 0.05µm MIN.  
 UNDERPLATING : NICKEL 1µm MIN.  
 (SURFACE : SEALING)  
 5. PEEL FORCE OF COVER TAPE REFERS TO JIS C 0806.  
 6 REFER TO PAGE 3 FOR EMBOSS CASE OF LESS THAN EQUAL TO 20 PINS CONNECTORS.



PART No.	CODE No.	B	C	D
BM10JC-10DS-0.4V(53)	CL684-6061-0-53	4.40	1.6	0.8
BM10JC-16DS-0.4V(53)	CL684-6059-9-53	5.60	2.8	1.6
BM10JC-20DS-0.4V(53)	CL684-6057-3-53	6.40	3.6	1.6
BM10JC-24DS-0.4V(53)	CL684-6049-5-53	7.20	4.4	2.0
BM10JC-30DS-0.4V(53)	CL684-6051-7-53	8.40	5.6	2.0
BM10JC-34DS-0.4V(53)	CL684-6063-6-53	9.20	6.4	2.4
BM10JC-40DS-0.4V(53)	CL684-6053-2-53	10.40	7.6	2.4
BM10JC-44DS-0.4V(53)	CL684-6073-0-53	11.20	8.4	2.8
BM10JC-50DS-0.4V(53)	CL684-6065-1-53	12.40	9.6	2.8
BM10JC-60DS-0.4V(53)	CL684-6055-8-53	14.40	11.6	3.2

NO.	MATERIAL	FINISH . REMARKS	NO.	MATERIAL	FINISH . REMARKS
2	PHOSPHOR BRONZE	4	5	PS	PLASTIC REEL (BLACK)
1	LCP	UL94V-0. BLACK	4	POLYESTER	CLEAR(COVER TAPE)
			3	PS	CLEAR(EMBOSS CARRIER TAPE)

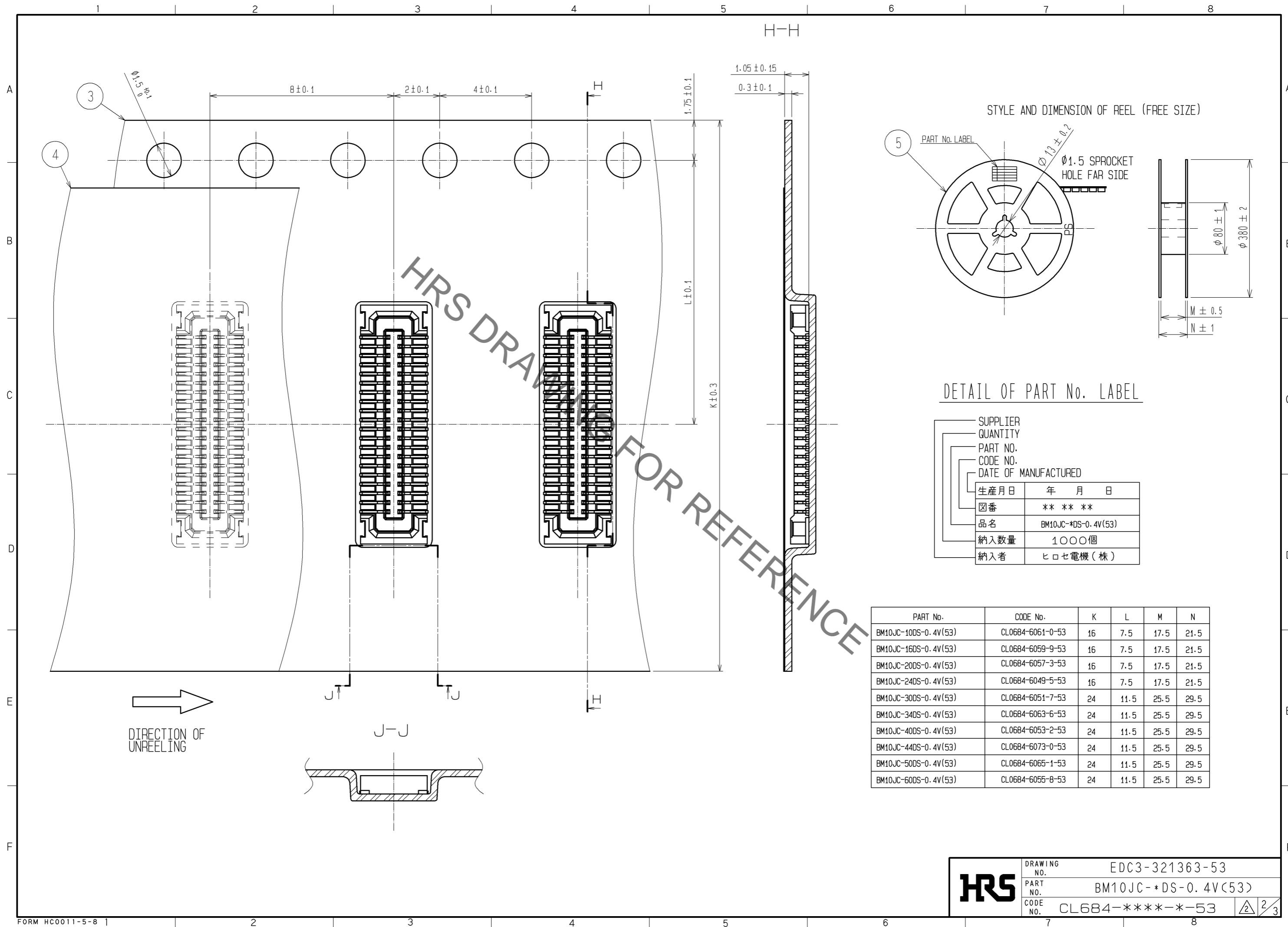
  

UNITS	SCALE	COUNT	DESCRIPTION OF REVISIONS	DESIGNED	CHECKED	DATE
mm	10 : 1	2	DIS-H-004685	KR. AJITO	TS. MIYAZAKI	10. 03. 27

APPROVED	DATE	DRAWING NO.
KH. IKEDA	09. 06. 09	EDC3-321363-53
CHECKED	DATE	PART NO.
KY. MIDORIKAWA	09. 06. 09	BM10JC- *DS-0. 4V(53)
DESIGNED	DATE	CODE NO.
SH. HOSODA	09. 06. 08	CL684-***-*-53
DRAWN	DATE	
SH. HOSODA	09. 03. 03	

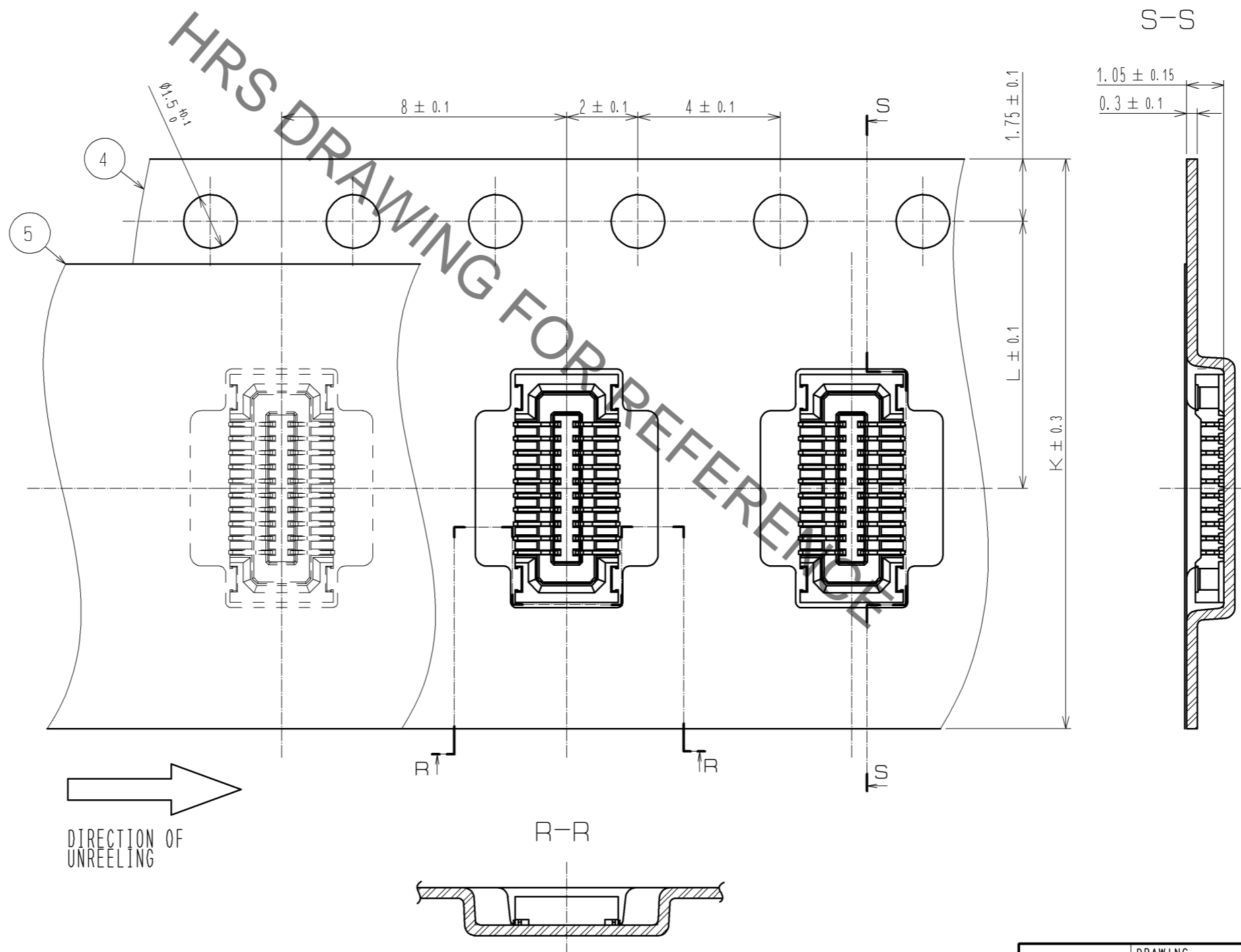
Aug.1.2021 Copyright 2021 HIROSE ELECTRIC CO., LTD. All Rights Reserved.  
 In case of consideration for using Automotive equipment / device which demand high reliability, kindly contact our sales window correspondents.



In case of consideration for using Automotive equipment / device which demand high reliability, kindly contact our sales window correspondents.

Aug.1.2021 Copyright 2021 HIROSE ELECTRIC CO., LTD. All Rights Reserved.

⑥ EMBOSS CASE OF LESS THAN OR EQUAL TO 20 PINS CONNECTORS



<b>HRS</b>	DRAWING NO.	EDC3-321363-53
	PART NO.	BM10JC-*DS-0.4V(53)
	CODE NO.	CL-684-****-*53

3/3

## X-ON Electronics

Largest Supplier of Electrical and Electronic Components

*Click to view similar products for [Board to Board & Mezzanine Connectors](#) category:*

*Click to view products by [Hirose](#) manufacturer:*

Other Similar products are found below :

[589158040000018](#) [MDF7C-18P-2.54DSA\(55\)](#) [FCN-230C068-11](#) [FCN-268F012-G/BD](#) [FCN-268F036-G/BD](#) [FCN-268M012-G/0D](#) [FCN-268M024-G/1D](#) [FCN-723J004/1](#) [MIS-048-01-F-D-DP-K](#) [832-10-034-10-001000](#) [FX4C-80S-1.27DSA](#) [FCN-214Q030-G/0](#) [FCN-234P048-G/0](#) [FCN-235D050-G/C](#) [210-93-314-41-105000](#) [2-22603-0](#) [MDF7-40DP-2.54DSA\(55\)](#) [AXG720047](#) [MIT-114-03-F-D-K](#) [55323-1519](#) [DF33-2P-3.3DSA\(24\)](#) [YFT-20-05-H-03-SB-K](#) [503308-3040](#) [026-6203-PDB](#) [027-6203-PDB](#) [069159702701000](#) [10123981-102LF](#) [101A10019X](#) [55650-0588-C](#) [68682-310LF](#) [68684-306](#) [75140-7012](#) [87471-650](#) [YTW-30-07-H-Q-410-140](#) [FCN-268F024-G0D](#) [10124054-515LF](#) [68685-603](#) [8-1616154-3](#) [MIS-019-01-F-D](#) [FCN-268M024-G/3D](#) [FCN-268M036-G/BD](#) [20021832-06016C1LF](#) [KX15-20KLDL-E1000E](#) [AXE810124](#) [FCN-214J100-G/0](#) [FCN-230C068-E/S](#) [AXE812124](#) [AXE816124](#) [AXE720127](#) [354184](#)