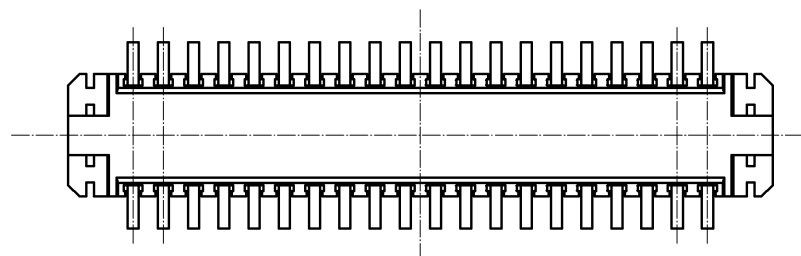
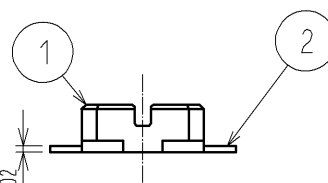
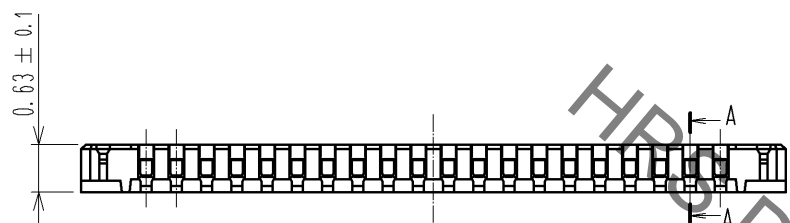
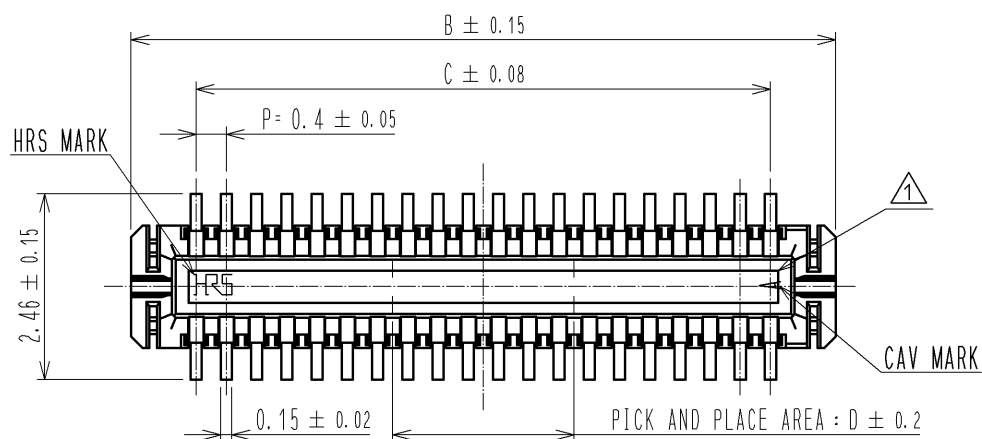
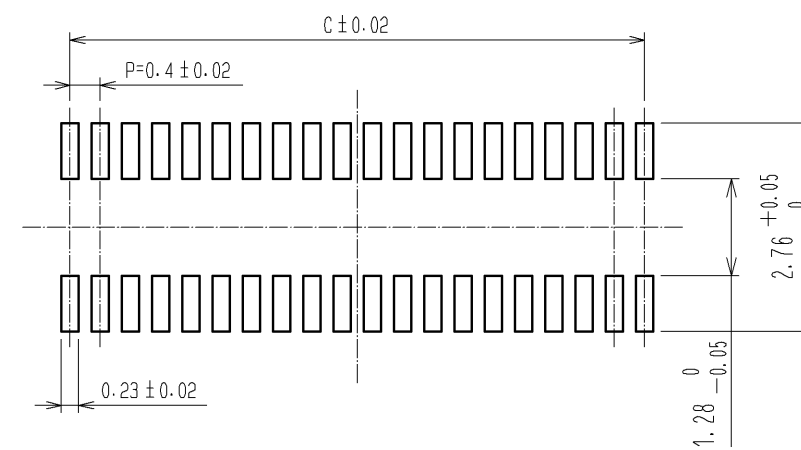


Aug.1.2020 Copyright 2020 HIROSE ELECTRIC CO., LTD. All Rights Reserved.  
In case of consideration for using Automotive equipment / device which demand high reliability, kindly contact our sales window correspondents.



### RECOMMENDED PATTERN



RECOMMENDED SOLDER PASTE : THICKNESS 120μm

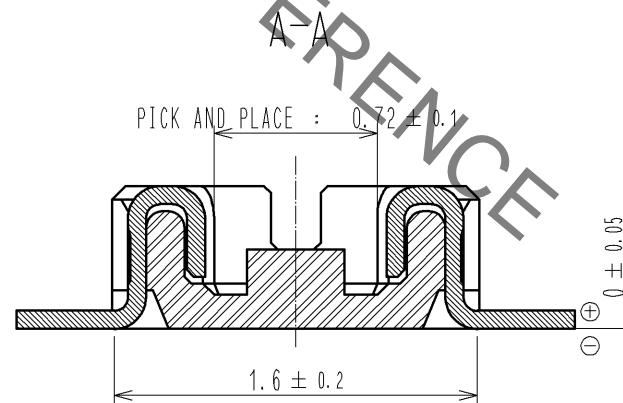
- NOTE 1. ALL LEADS CO-PLANARITY SHALL BE 0.1 MAX.  
 2. PER REEL : 1000 CONNECTORS.  
 3. AT THE BEGINNING OF THE REEL, 100 mm AT MIN SHALL BE EMPTY POCKETS.  
 AT THE END OF THE REEL, 160 mm AT MIN SHALL BE EMPTY.

4 CONTACT PLATING SPECIFICATIONS.

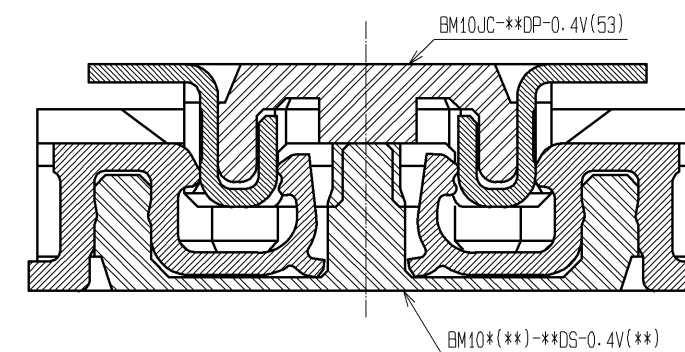
CONTACT AREA : GOLD 0.05μm MIN.  
 SMT LEAD : GOLD 0.05μm MIN.  
 UNDERPLATING : NICKEL 1μm MIN.  
 (SURFACE : SEALING)

5. PEEL FORCE OF COVER TAPE REFERS TO JIS C 0806.  
 6. 10 TO 60 POSITIONS EMBOSSED CARRIER TAPE HAS THE SPROCKET HOLE ON ONE SIDES.

| PART No.             | CODE No.        | B     | C    | D   |
|----------------------|-----------------|-------|------|-----|
| BM10JC-10DP-0.4V(53) | CL684-6062-3-53 | 3.32  | 1.6  | 0.8 |
| BM10JC-16DP-0.4V(53) | CL684-6060-8-53 | 4.52  | 2.8  | 1.6 |
| BM10JC-20DP-0.4V(53) | CL684-6058-6-53 | 5.32  | 3.6  | 1.6 |
| BM10JC-24DP-0.4V(53) | CL684-6050-4-53 | 6.12  | 4.4  | 2.0 |
| BM10JC-30DP-0.4V(53) | CL684-6052-0-53 | 7.32  | 5.6  | 2.0 |
| BM10JC-34DP-0.4V(53) | CL684-6064-9-53 | 8.12  | 6.4  | 2.4 |
| BM10JC-40DP-0.4V(53) | CL684-6054-5-53 | 9.32  | 7.6  | 2.4 |
| BM10JC-44DP-0.4V(53) | CL684-6074-2-53 | 10.12 | 8.4  | 2.8 |
| BM10JC-50DP-0.4V(53) | CL684-6066-4-53 | 11.32 | 9.6  | 2.8 |
| BM10JC-60DP-0.4V(53) | CL684-6056-0-53 | 13.32 | 11.6 | 3.2 |
| BM10JC-80DP-0.4V(53) | -               | 17.32 | 15.6 | 4.0 |



### ENGAGEMENT FIGURE



| NO. | MATERIAL        | FINISH | REMARKS        | NO. | MATERIAL  | FINISH | REMARKS                       |
|-----|-----------------|--------|----------------|-----|-----------|--------|-------------------------------|
| 2   | PHOSPHOR BRONZE | 4      |                | 5   | PS        |        | PLASTIC REEL (BLACK)          |
| 1   | LCP             |        | UL94V-0. BLACK | 4   | POLYESTER |        | CLEAR (COVER TAPE)            |
|     |                 |        |                | 3   | PS        |        | CLEAR (EMBOSSED CARRIER TAPE) |

| UNITS | SCALE  | COUNT | DESCRIPTION OF REVISIONS | DESIGNED      | CHECKED      | DATE     |
|-------|--------|-------|--------------------------|---------------|--------------|----------|
| mm    | 10 : 1 | 3     | DIS-H-004474             | MH. TAKESHITA | TS. MIYAZAKI | 10.02.05 |

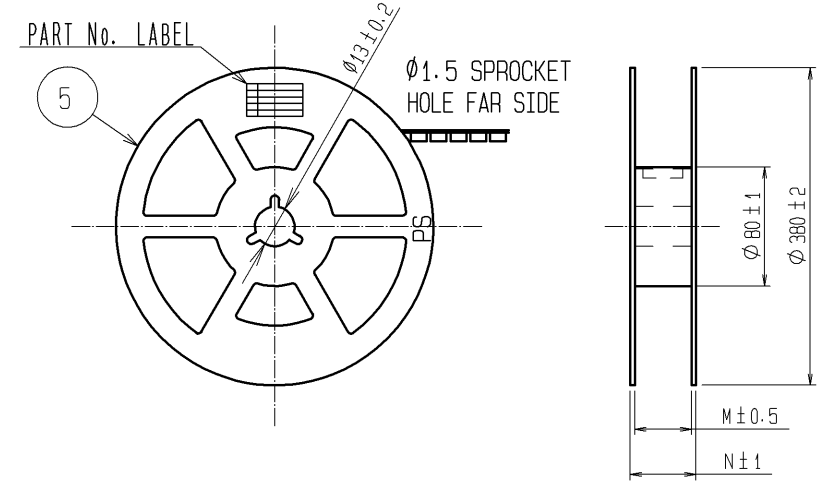
| APPROVED       | DATE     | DRAWING NO.          |
|----------------|----------|----------------------|
| KH. IKEDA      | 09.06.09 | EDC3-321364-53       |
| KY. MIDORIKAWA | 09.06.09 | PART NO.             |
| SH. HOSODA     | 09.06.08 | BM10JC- *DP-0.4V(53) |
| SH. HOSODA     | 09.03.03 | CODE NO.             |
|                |          | CL684                |

Aug.1.2020 Copyright 2020 HIROSE ELECTRIC CO., LTD. All Rights Reserved.  
 In case of consideration for using Automotive equipment / device which demand high reliability, kindly contact our sales window correspondents.

EMBOSED CARRIER TAPE DIMENSIONS (5:1)

B-B

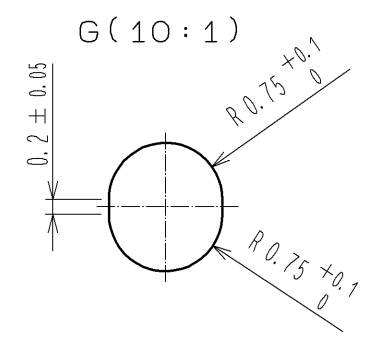
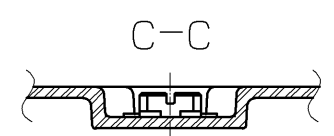
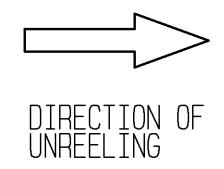
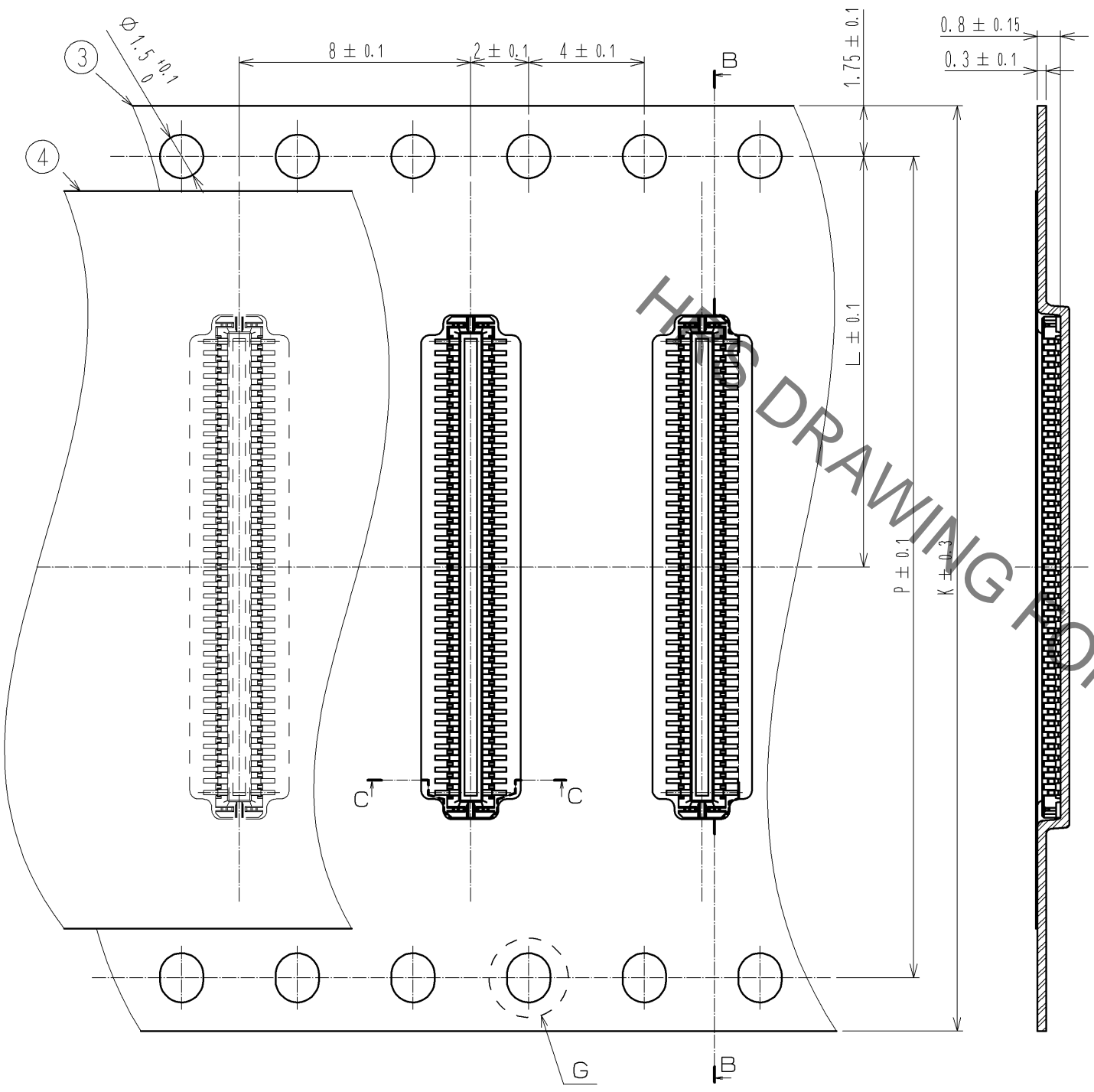
STYLE AND DIMENSION OF REEL (FREE SIZE)



DETAIL OF PART No. LABEL

|                      |                           |
|----------------------|---------------------------|
| SUPPLIER             | HIROSE ELECTRIC CO., LTD. |
| QUANTITY             | 1000                      |
| PART NO.             | BM10JC- *DP-0.4V(53)      |
| CODE NO.             | CL684                     |
| DATE OF MANUFACTURED | 年 月 日                     |
| 生産月日                 | 年 月 日                     |
| 図番                   | ** ** *                   |
| 品名                   | BM10JC- *DP-0.4V(53)      |
| 納入数量                 | 1000個                     |
| 納入者                  | ヒロセ電機(株)                  |

| PART No.             | CODE No.        | K  | L    | M    | N    | P    |
|----------------------|-----------------|----|------|------|------|------|
| BM10JC-10DP-0.4V(53) | CL684-6062-3-53 | 12 | 5.5  | 13.5 | 17.5 | —    |
| BM10JC-16DP-0.4V(53) | CL684-6060-8-53 | 16 | 7.5  | 17.5 | 21.5 | —    |
| BM10JC-20DP-0.4V(53) | CL684-6058-6-53 | 16 | 7.5  | 17.5 | 21.5 | —    |
| BM10JC-24DP-0.4V(53) | CL684-6050-4-53 | 16 | 7.5  | 17.5 | 21.5 | —    |
| BM10JC-30DP-0.4V(53) | CL684-6052-0-53 | 16 | 7.5  | 17.5 | 21.5 | —    |
| BM10JC-34DP-0.4V(53) | CL684-6064-9-53 | 16 | 7.5  | 17.5 | 21.5 | —    |
| BM10JC-40DP-0.4V(53) | CL684-6054-5-53 | 24 | 11.5 | 25.5 | 29.5 | —    |
| BM10JC-44DP-0.4V(53) | CL684-6074-2-53 | 24 | 11.5 | 25.5 | 29.5 | —    |
| BM10JC-50DP-0.4V(53) | CL684-6066-4-53 | 24 | 11.5 | 25.5 | 29.5 | —    |
| BM10JC-60DP-0.4V(53) | CL684-6056-0-53 | 24 | 11.5 | 25.5 | 29.5 | —    |
| BM10JC-80DP-0.4V(53) | -               | 32 | 14.2 | 33.5 | 37.5 | 28.4 |



|            |             |                      |
|------------|-------------|----------------------|
| <b>HRS</b> | DRAWING NO. | EDC3-321364-53       |
|            | PART NO.    | BM10JC- *DP-0.4V(53) |
|            | CODE NO.    | CL684                |

## X-ON Electronics

Largest Supplier of Electrical and Electronic Components

*Click to view similar products for [Board to Board & Mezzanine Connectors](#) category:*

*Click to view products by [Hirose](#) manufacturer:*

Other Similar products are found below :

[10135583-642402LF](#) [89885-310LF](#) [589158040000018](#) [6-1393048-0](#) [68683-613](#) [MDF7-12DP-2.54DSA](#) [MDF7-18P-2.54DSA\(01\)](#) [MDF7-20DP-2.54DSA](#) [MDF7-26D-2.54DSA\(55\)](#) [MDF7-3P-2.54DSA\(01\)](#) [MDF7B-20P-2.54DSA\(01\)](#) [MDF7B-3P-2.54DSA\(55\)](#) [MDF7C-18P-2.54DSA\(55\)](#) [MDF7P-5P-2.54DSA\(55\)](#) [75234-0516](#) [FCN-230C068-11](#) [FCN-268F012-G/BD](#) [FCN-268F036-G/BD](#) [FCN-268M012-G/0D](#) [FCN-268M024-G/1D](#) [FCN-360C008-C](#) [FCN-723J004/1](#) [MIS-048-01-F-D-DP-K](#) [832-10-034-10-001000](#) [93696-325LF](#) [11828-1FA](#) [AXK630345P](#) [18097-0013](#) [2007042-2](#) [304400-2](#) [FCN-214Q030-G/0](#) [FCN-215Q040-G/0](#) [FCN-230C068-ESA](#) [FCN-234P048-G/0](#) [FCN-235D050-G/C](#) [FCN-360A3](#) [FCN-360C040-B](#) [210-93-314-41-105000](#) [2-22603-0](#) [379-064-521-202](#) [MDF7-12P-2.54DSA\(01\)](#) [MDF7-16P-2.54DS\(56\)](#) [MDF7-16P-2.54DSA\(55\)](#) [MDF7-40DP-2.54DSA\(55\)](#) [MDF7-8P-2.54DSA\(55\)](#) [AXG720047](#) [5031084030](#) [55323-1519](#) [DF33-2P-3.3DSA\(24\)](#) [DF33-2S-3.3C](#)