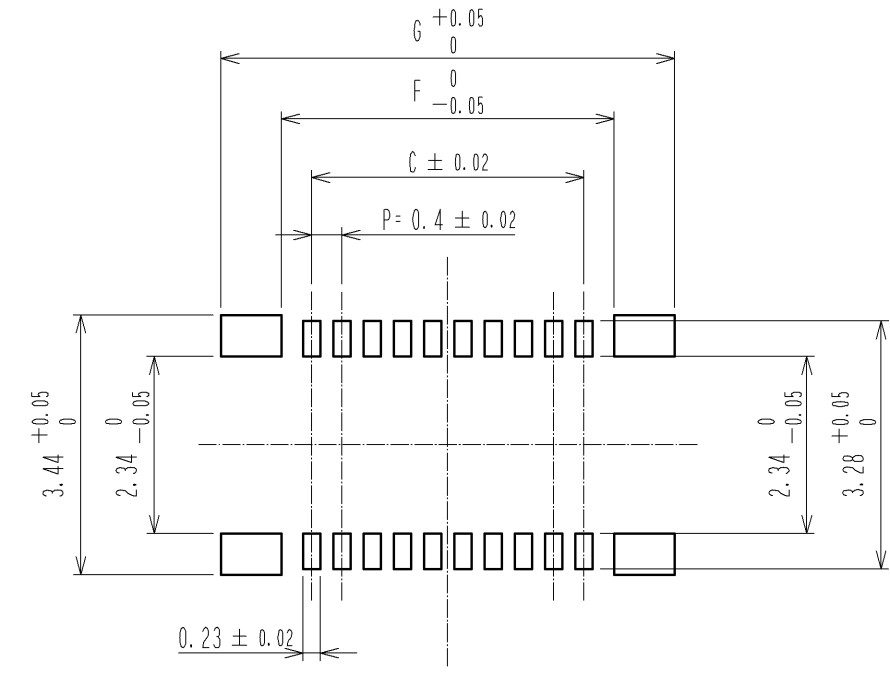
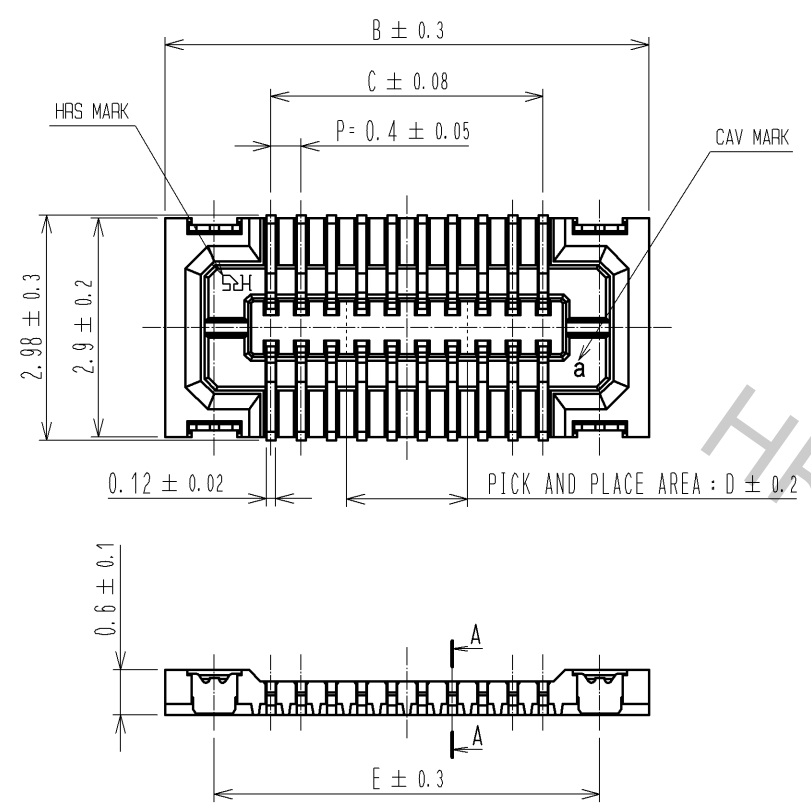
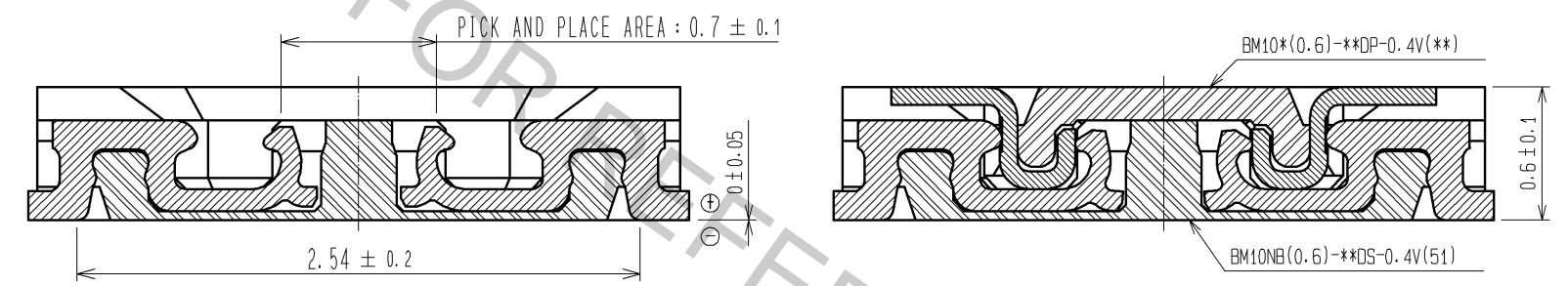


RECOMMENDED PATTERN



RECOMMENDED SOLDER PASTE THICKNESS : 120μm
 RECOMMENDED METAL MASK OPENING RATIO : 100%

ENGAGEMENT FIGURE

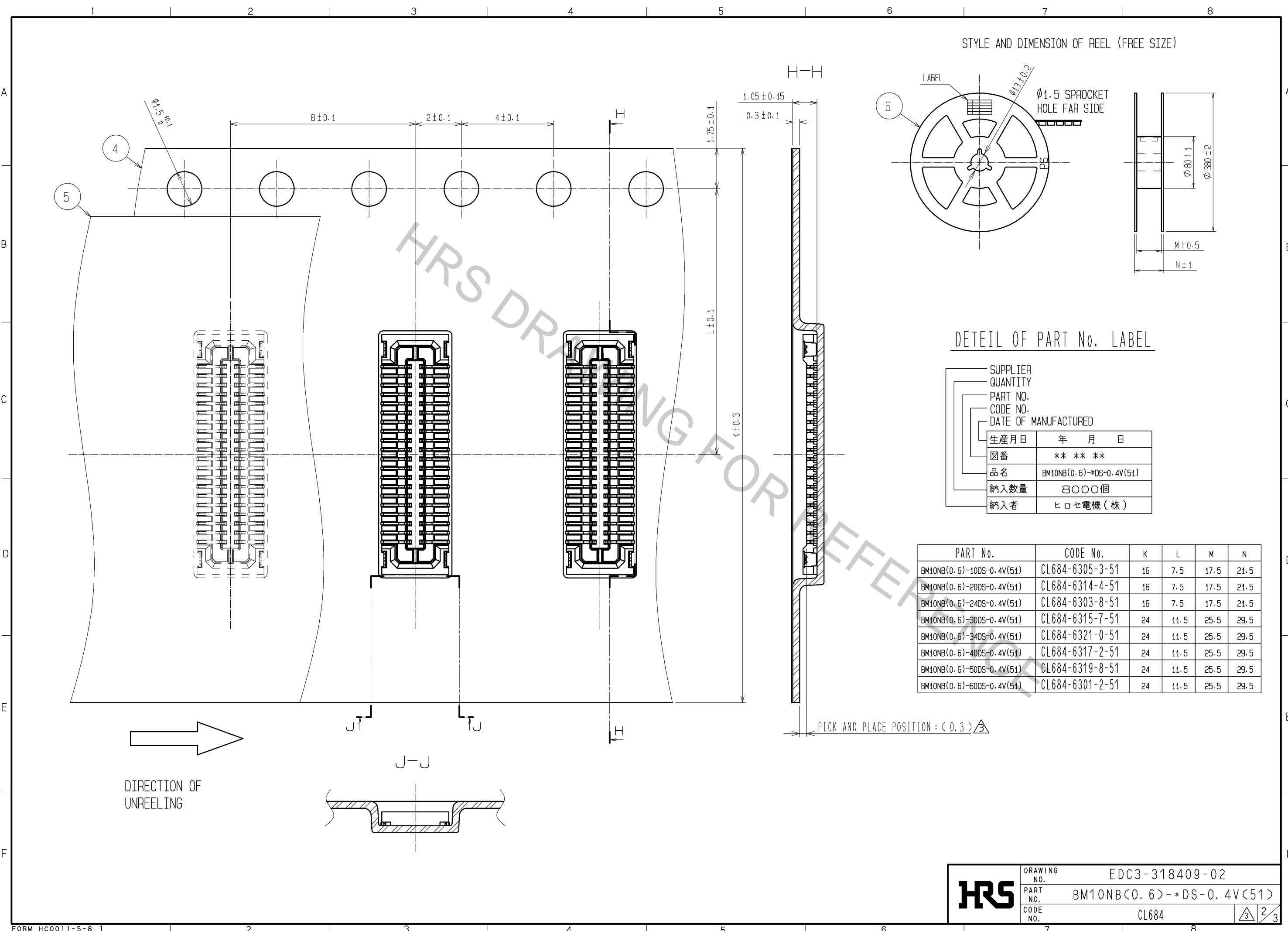


PART No.	CODE No.	B	C	D	E	F	G
BM10NB(0.6)-10DS-0.4V(51)	CL684-6305-3-51	4.40	1.6	0.8	3.1	2.18	4.02
BM10NB(0.6)-20DS-0.4V(51)	CL684-6314-4-51	6.40	3.6	1.6	5.1	4.18	6.02
BM10NB(0.6)-24DS-0.4V(51)	CL684-6303-8-51	7.20	4.4	2.0	5.9	4.98	6.82
BM10NB(0.6)-30DS-0.4V(51)	CL684-6315-7-51	8.40	5.6	2.0	7.1	6.18	8.02
BM10NB(0.6)-34DS-0.4V(51)	CL684-6321-0-51	9.20	6.4	2.4	7.9	6.98	8.82
BM10NB(0.6)-40DS-0.4V(51)	CL684-6317-2-51	10.40	7.6	2.4	9.1	8.18	10.02
BM10NB(0.6)-50DS-0.4V(51)	CL684-6319-8-51	12.40	9.6	2.8	11.1	10.18	12.02
BM10NB(0.6)-60DS-0.4V(51)	CL684-6301-2-51	14.40	11.6	3.2	13.1	12.18	14.02

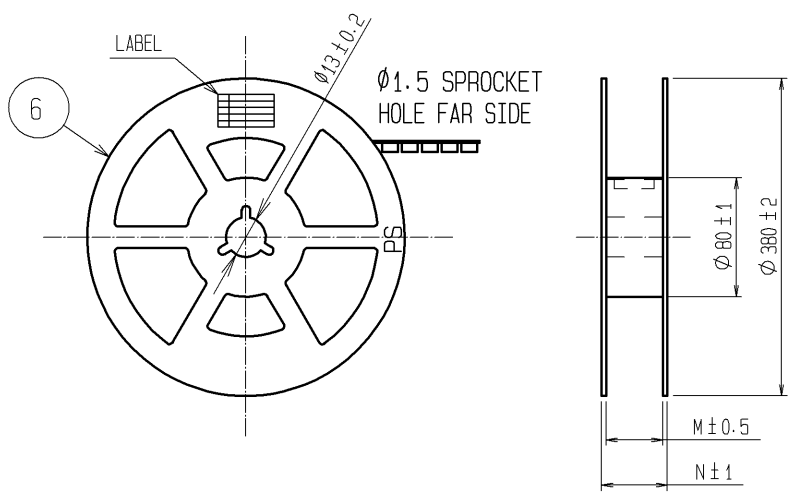
- NOTE
- ALL LEADS CO-PLANARITY SHALL BE 0.1mm MAX.
 - PER REEL:8000 CONECTORS.
 - AT THE BEGINING OF THE REEL,100mm AT MIN SHALL BE EMPTY POCKETS.
AT THE END OF REEL,160 mm AT MIN SHALL BE EMPTY.
 - CONTACT PLATING SPECIFICATIONS.
CONTACT AREA:GOLD 0.05μm MIN.
SMT LEAD :GOLD 0.05μm MIN.
UNDERPLATING :NICKEL 1μm MIN.
(SURFACE : SEALING)
 - METAL HOLD DOWN PLATING SPECIFICATIONS.
MOUNTING AREA:GOLD 0.05μm MIN.
UNDERPLATING :NICKEL 1μm MIN.
 - PEEL FORCE REFERS TO JIS C 0806.
 - REFER TO PAGE3 FOR EMBOSS CASE OF LESS THAN OR EQUAL TO 20 PINS CONNECTORS.
 - CONCAVE FOR STABILIZING COPLANARITY MIGHT BE SET UP AT THE INDICATED POSITION.
 - PLEASE CONTACT US IN CASE YOU WILL MAKE DIFFERENT SETTINGS FROM OUR RECOMMENDATION.

3	PHOSPHOR BRONZE	5	6	PS	PLASTIC REEL (BLACK)		
2	PHOSPHOR BRONZE	4	5	POLYESTER	CLEAR(COVER TAPE)		
1	LCP	UL94V-0, BLACK	4	PS	CLEAR(EMBOSSED CARRIER TAPE)		
NO.	MATERIAL	FINISH, REMARKS	NO.	MATERIAL	FINISH, REMARKS		
UNITS mm	⊙	SCALE 10:1	COUNT 6	DESCRIPTION OF REVISIONS DIS-H-005435	DESIGNED KR. AJITO	CHECKED TS. MIYAZAKI	DATE 11.01.07
APPROVED : KH. IKEDA		08.07.16		DRAWING NO. EDC3-318409-02			
CHECKED : KY. MIDORIKAWA		08.07.16		PART NO. BM10NB(0.6)-*DS-0.4V(51)			
DESIGNED : YH. MICHIDA		08.07.16		CODE NO. CL684			
DRAWN : YH. MICHIDA		08.07.16					

Feb.1.2018 Copyright 2018 HIROSE ELECTRIC CO., LTD. All Rights Reserved.



STYLE AND DIMENSION OF REEL (FREE SIZE)



DETAIL OF PART No. LABEL

—	SUPPLIER	
—	QUANTITY	
—	PART NO.	
—	CODE NO.	
—	DATE OF MANUFACTURED	
—	生産月日	年 月 日
—	図番	** ** *
—	品名	BM10NB(0.6)*DS-0.4V(51)
—	納入数量	8000個
—	納入者	ヒロセ電機(株)

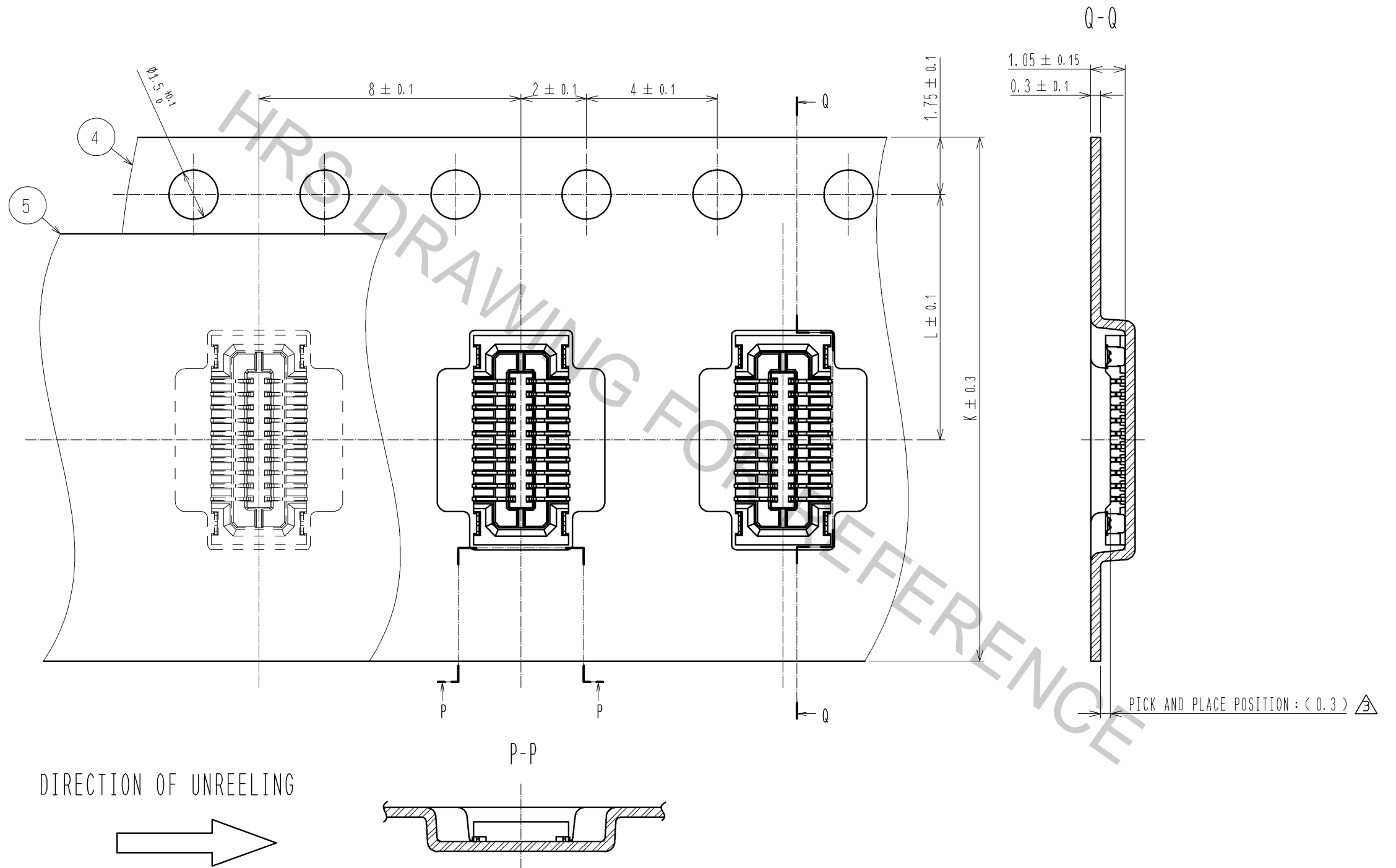
PART No.	CODE No.	K	L	M	N
BM10NB(0.6)-10DS-0.4V(51)	CL684-6305-3-51	16	7.5	17.5	21.5
BM10NB(0.6)-20DS-0.4V(51)	CL684-6314-4-51	16	7.5	17.5	21.5
BM10NB(0.6)-24DS-0.4V(51)	CL684-6303-8-51	16	7.5	17.5	21.5
BM10NB(0.6)-30DS-0.4V(51)	CL684-6315-7-51	24	11.5	25.5	29.5
BM10NB(0.6)-34DS-0.4V(51)	CL684-6321-0-51	24	11.5	25.5	29.5
BM10NB(0.6)-40DS-0.4V(51)	CL684-6317-2-51	24	11.5	25.5	29.5
BM10NB(0.6)-50DS-0.4V(51)	CL684-6319-8-51	24	11.5	25.5	29.5
BM10NB(0.6)-60DS-0.4V(51)	CL684-6301-2-51	24	11.5	25.5	29.5

PICK AND PLACE POSITION : (0.3)

DIRECTION OF UNREELING

HRS	DRAWING NO.	EDC3-318409-02
	PART NO.	BM10NB(0.6)*DS-0.4V(51)
	CODE NO.	CL684
		2/3

7 EMBOSS CASE OF LESS THAN OR EQUAL TO 20 PINS CONNECTORS.



HRS	DRAWING NO.	EDC3-318409-02
	PART NO.	BM10NB(0.6)-*DS-0.4V(51)
	CODE NO.	CL684
		\triangle 3/3

Feb.1.2018 Copyright 2018 HIROSE ELECTRIC CO., LTD. All Rights Reserved.

X-ON Electronics

Largest Supplier of Electrical and Electronic Components

Click to view similar products for [Board to Board & Mezzanine Connectors](#) category:

Click to view products by [Hirose](#) manufacturer:

Other Similar products are found below :

[589158040000018](#) [MDF7C-18P-2.54DSA\(55\)](#) [FCN-230C068-11](#) [FCN-268F012-G/BD](#) [FCN-268F036-G/BD](#) [FCN-268M012-G/0D](#) [FCN-268M024-G/1D](#) [FCN-723J004/1](#) [MIS-048-01-F-D-DP-K](#) [832-10-034-10-001000](#) [FX4C-80S-1.27DSA](#) [FCN-214Q030-G/0](#) [FCN-234P048-G/0](#) [FCN-235D050-G/C](#) [210-93-314-41-105000](#) [2-22603-0](#) [MDF7-40DP-2.54DSA\(55\)](#) [AXG720047](#) [MIT-114-03-F-D-K](#) [55323-1519](#) [DF33-2P-3.3DSA\(24\)](#) [YFT-20-05-H-03-SB-K](#) [503308-3040](#) [026-6203-PDB](#) [027-6203-PDB](#) [069159702701000](#) [10123981-102LF](#) [101A10019X](#) [55650-0588-C](#) [68682-310LF](#) [68684-306](#) [75140-7012](#) [87471-650](#) [YTW-30-07-H-Q-410-140](#) [FCN-268F024-G0D](#) [10124054-515LF](#) [68685-603](#) [8-1616154-3](#) [MIS-019-01-F-D](#) [FCN-268M024-G/3D](#) [FCN-268M036-G/BD](#) [20021832-06016C1LF](#) [KX15-20KLDL-E1000E](#) [AXE810124](#) [FCN-214J100-G/0](#) [FCN-230C068-E/S](#) [AXE812124](#) [AXE816124](#) [AXE720127](#) [354184](#)