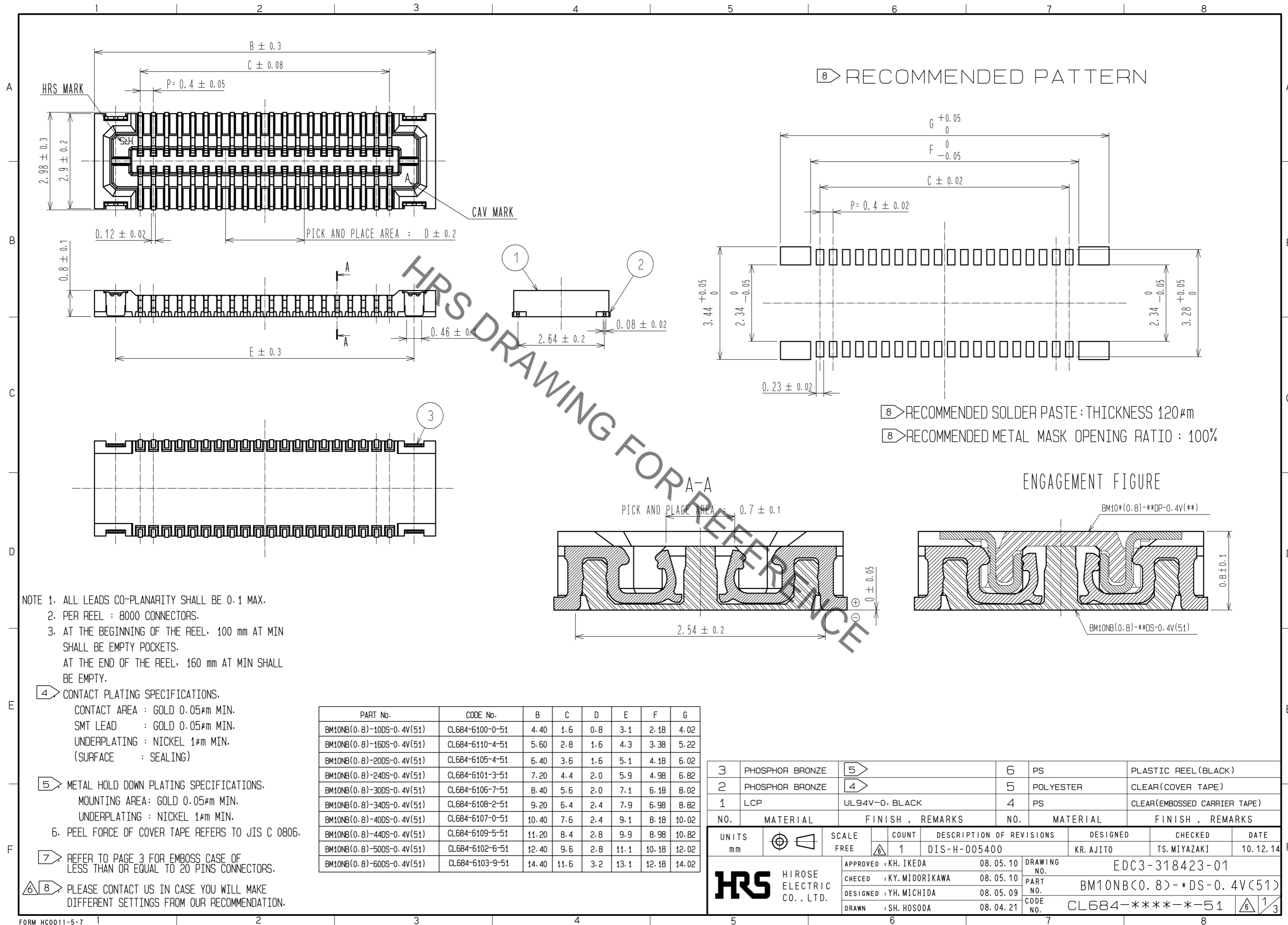


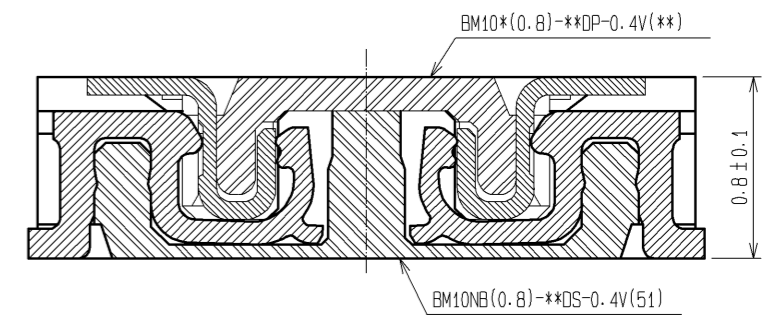
Oct.1.2019 Copyright 2019 HIROSE ELECTRIC CO., LTD. All Rights Reserved.
In case of consideration for using Automotive equipment / device which demand high reliability, kindly contact our sales window correspondents.



8 RECOMMENDED PATTERN

8 RECOMMENDED SOLDER PASTE : THICKNESS 120μm
8 RECOMMENDED METAL MASK OPENING RATIO : 100%

ENGAGEMENT FIGURE



- NOTE 1. ALL LEADS CO-PLANARITY SHALL BE 0.1 MAX.
2. PER REEL : 8000 CONNECTORS.
3. AT THE BEGINNING OF THE REEL, 100 mm AT MIN SHALL BE EMPTY POCKETS.
AT THE END OF THE REEL, 160 mm AT MIN SHALL BE EMPTY.
- 4 CONTACT PLATING SPECIFICATIONS.
CONTACT AREA : GOLD 0.05μm MIN.
SMT LEAD : GOLD 0.05μm MIN.
UNDERPLATING : NICKEL 1μm MIN.
(SURFACE : SEALING)
- 5 METAL HOLD DOWN PLATING SPECIFICATIONS.
MOUNTING AREA: GOLD 0.05μm MIN.
UNDERPLATING : NICKEL 1μm MIN.
6. PEEL FORCE OF COVER TAPE REFERS TO JIS C 0806.
- 7 REFER TO PAGE 3 FOR EMBOSS CASE OF LESS THAN OR EQUAL TO 20 PINS CONNECTORS.
- 8 PLEASE CONTACT US IN CASE YOU WILL MAKE DIFFERENT SETTINGS FROM OUR RECOMMENDATION.

| PART No. | CODE No. | B | C | D | E | F | G |
|---------------------------|-----------------|-------|------|-----|------|-------|-------|
| BM10NB(0.8)-10DS-0.4V(51) | CL684-6100-0-51 | 4.40 | 1.6 | 0.8 | 3.1 | 2.18 | 4.02 |
| BM10NB(0.8)-16DS-0.4V(51) | CL684-6110-4-51 | 5.60 | 2.8 | 1.6 | 4.3 | 3.38 | 5.22 |
| BM10NB(0.8)-20DS-0.4V(51) | CL684-6105-4-51 | 6.40 | 3.6 | 1.6 | 5.1 | 4.18 | 6.02 |
| BM10NB(0.8)-24DS-0.4V(51) | CL684-6101-3-51 | 7.20 | 4.4 | 2.0 | 5.9 | 4.98 | 6.82 |
| BM10NB(0.8)-30DS-0.4V(51) | CL684-6106-7-51 | 8.40 | 5.6 | 2.0 | 7.1 | 6.18 | 8.02 |
| BM10NB(0.8)-34DS-0.4V(51) | CL684-6108-2-51 | 9.20 | 6.4 | 2.4 | 7.9 | 6.98 | 8.82 |
| BM10NB(0.8)-40DS-0.4V(51) | CL684-6107-0-51 | 10.40 | 7.6 | 2.4 | 9.1 | 8.18 | 10.02 |
| BM10NB(0.8)-44DS-0.4V(51) | CL684-6109-5-51 | 11.20 | 8.4 | 2.8 | 9.9 | 8.98 | 10.82 |
| BM10NB(0.8)-50DS-0.4V(51) | CL684-6102-6-51 | 12.40 | 9.6 | 2.8 | 11.1 | 10.18 | 12.02 |
| BM10NB(0.8)-60DS-0.4V(51) | CL684-6103-9-51 | 14.40 | 11.6 | 3.2 | 13.1 | 12.18 | 14.02 |

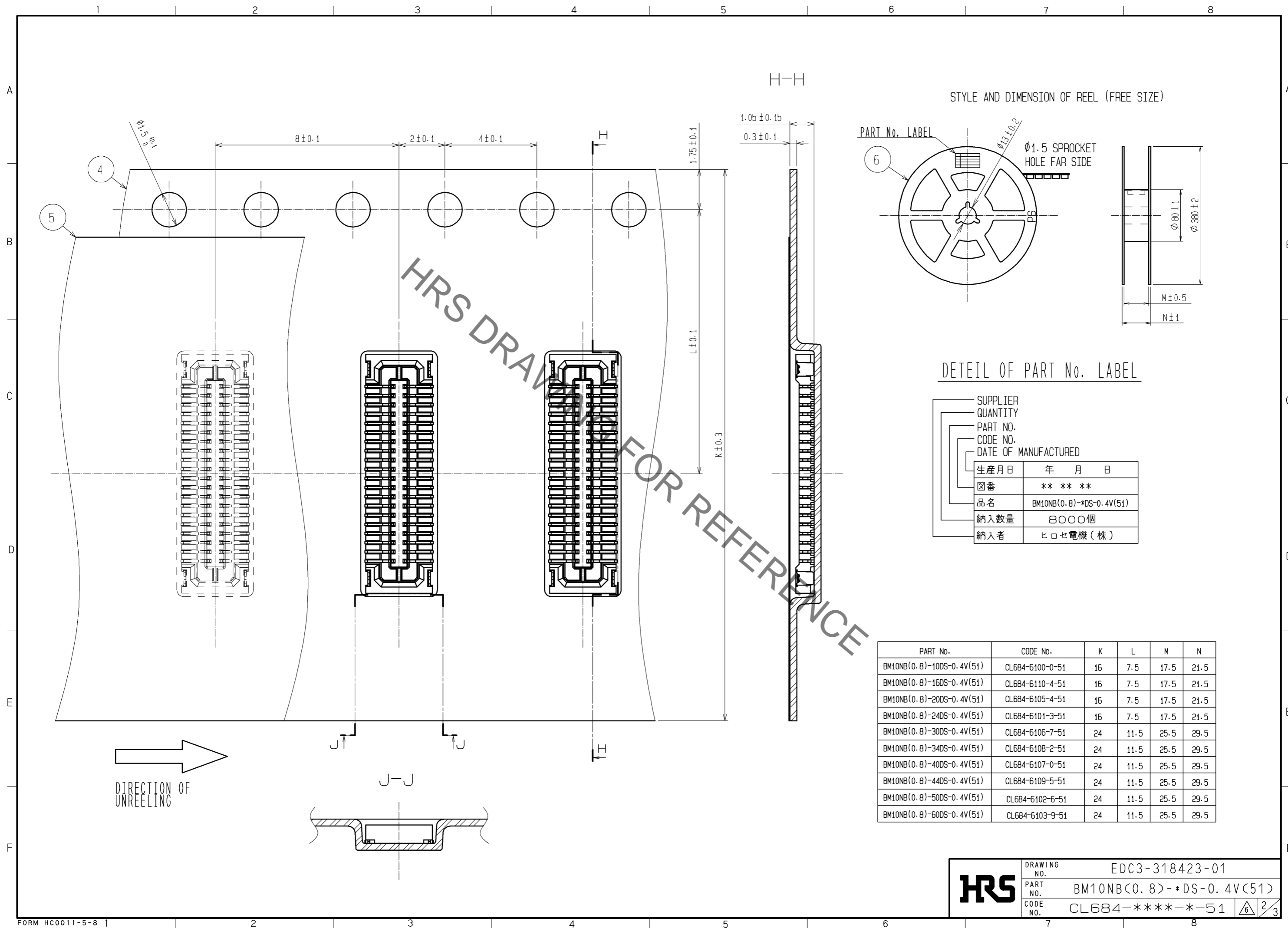
| NO. | MATERIAL | FINISH | REMARKS | NO. | MATERIAL | FINISH | REMARKS |
|-----|-----------------|--------|----------------|-----|-----------|--------|-------------------------------|
| 3 | PHOSPHOR BRONZE | 5 | | 6 | PS | | PLASTIC REEL (BLACK) |
| 2 | PHOSPHOR BRONZE | 4 | | 5 | POLYESTER | | CLEAR (COVER TAPE) |
| 1 | LCP | | UL94V-0, BLACK | 4 | PS | | CLEAR (EMBOSSED CARRIER TAPE) |

| UNITS | SCALE | COUNT | DESCRIPTION OF REVISIONS | DESIGNED | CHECKED | DATE |
|-------|-------|-------|--------------------------|-----------|--------------|----------|
| mm | FREE | 1 | DIS-H-005400 | KR. AJITO | TS. MIYAZAKI | 10.12.14 |

| APPROVED | DATE | DRAWING NO. |
|----------------|----------|----------------|
| KH. IKEDA | 08.05.10 | EDC3-318423-01 |
| KY. MIDORIKAWA | 08.05.10 | |
| YH. MICHIDA | 08.05.09 | |
| SH. HOSODA | 08.04.21 | |

| PART NO. | CODE NO. |
|--------------------------|----------------|
| BM10NB(0.8)-*DS-0.4V(51) | CL684-***-*-51 |

Oct.1.2019 Copyright 2019 HIROSE ELECTRIC CO., LTD. All Rights Reserved.
 In case of consideration for using Automotive equipment / device which demand high reliability, kindly contact our sales window correspondents.



HRS DRAWING NO. EDC3-318423-01

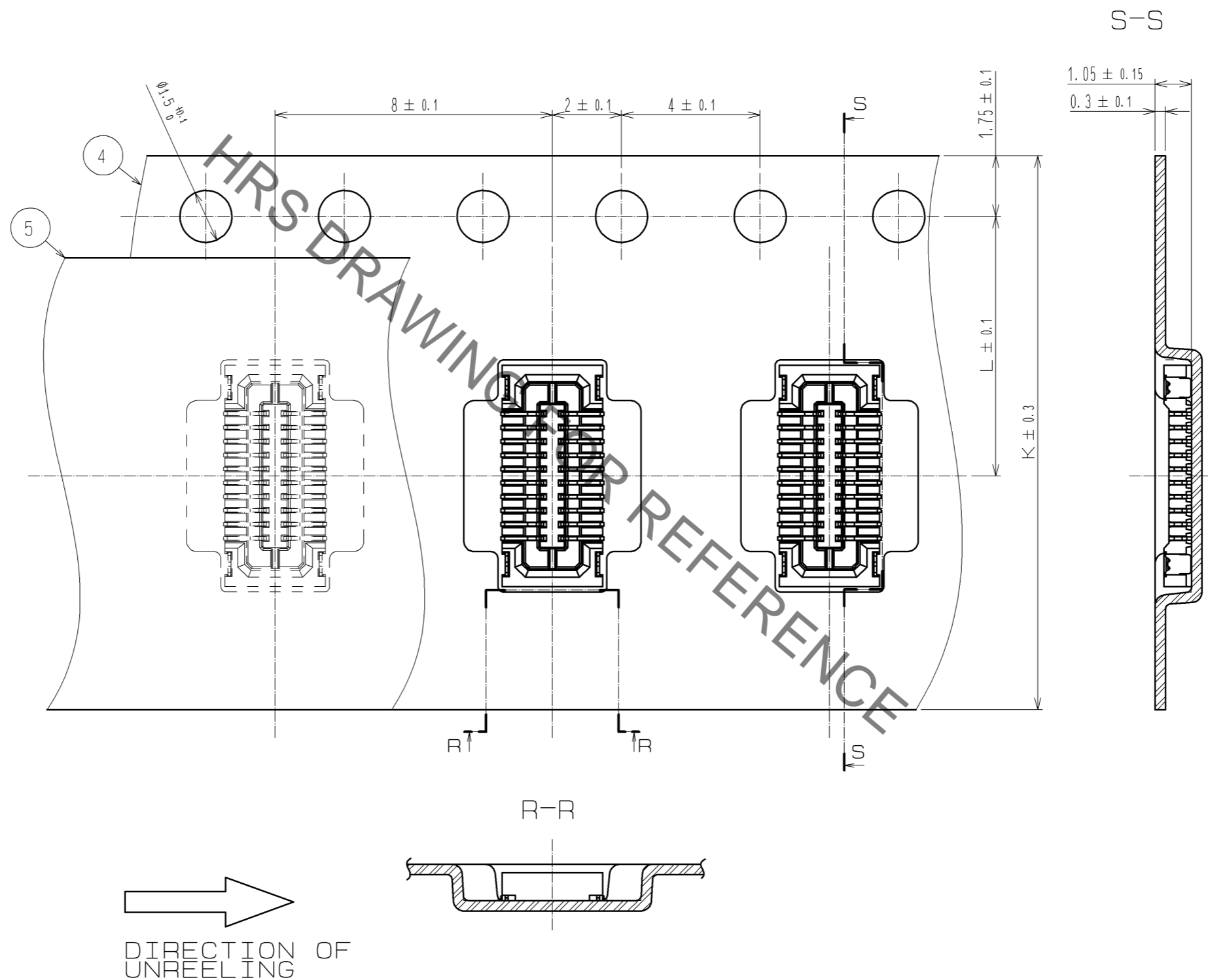
PART NO. BM10NB(0.8)-*DS-0.4V(51)

CODE NO. CL684-****-*51

6/2/3

Oct.1.2019 Copyright 2019 HIROSE ELECTRIC CO., LTD. All Rights Reserved.
In case of consideration for using Automotive equipment / device which demand high reliability, kindly contact our sales window correspondents.

7 EMBOSS CASE OF LESS THAN OR EQUAL TO 20 PINS CONNECTORS



| | | |
|------------|-------------|--------------------------|
| HRS | DRAWING NO. | EDC3-318423-01 |
| | PART NO. | BM10NB(0.8)-*DS-0.4V(51) |
| | CODE NO. | CL684-****-*-51 |
| | | 3/3 |

X-ON Electronics

Largest Supplier of Electrical and Electronic Components

Click to view similar products for [Board to Board & Mezzanine Connectors](#) category:

Click to view products by [Hirose](#) manufacturer:

Other Similar products are found below :

[10135583-642402LF](#) [89885-310LF](#) [589158040000018](#) [6-1393048-0](#) [68683-613](#) [MDF7-12DP-2.54DSA](#) [MDF7-18P-2.54DSA\(01\)](#) [MDF7-20DP-2.54DSA](#) [MDF7-26D-2.54DSA\(55\)](#) [MDF7-3P-2.54DSA\(01\)](#) [MDF7B-3P-2.54DSA\(55\)](#) [MDF7C-11P-2.54DSA\(55\)](#) [MDF7C-18P-2.54DSA\(55\)](#) [MDF7C-5P-2.54DSA\(01\)](#) [MDF7P-5P-2.54DSA\(55\)](#) [75234-0516](#) [FCN-230C068-11](#) [FCN-268F012-G/BD](#) [FCN-268F036-G/BD](#) [FCN-268M012-G/0D](#) [FCN-268M024-G/1D](#) [FCN-360C008-C](#) [FCN-360C040-C](#) [FCN-723J004/1](#) [MIS-048-01-F-D-DP-K](#) [832-10-034-10-001000](#) [93696-325LF](#) [11828-1FA](#) [AXK630345P](#) [18097-0013](#) [ICA-328STT](#) [2007042-2](#) [304400-2](#) [FCN-214Q030-G/0](#) [FCN-215Q040-G/0](#) [FCN-230C068-ESA](#) [FCN-234P048-G/0](#) [FCN-235D050-G/C](#) [FCN-360A3](#) [FCN-360C040-B](#) [210-93-314-41-105000](#) [2-22603-0](#) [379-064-521-202](#) [MDF7-12P-2.54DSA\(01\)](#) [MDF7-16P-2.54DS\(56\)](#) [MDF7-40DP-2.54DSA\(55\)](#) [MDF7-8P-2.54DSA\(55\)](#) [MDF7B-16P-2.54DSA\(55\)](#) [AXG720047](#) [5031084030](#)