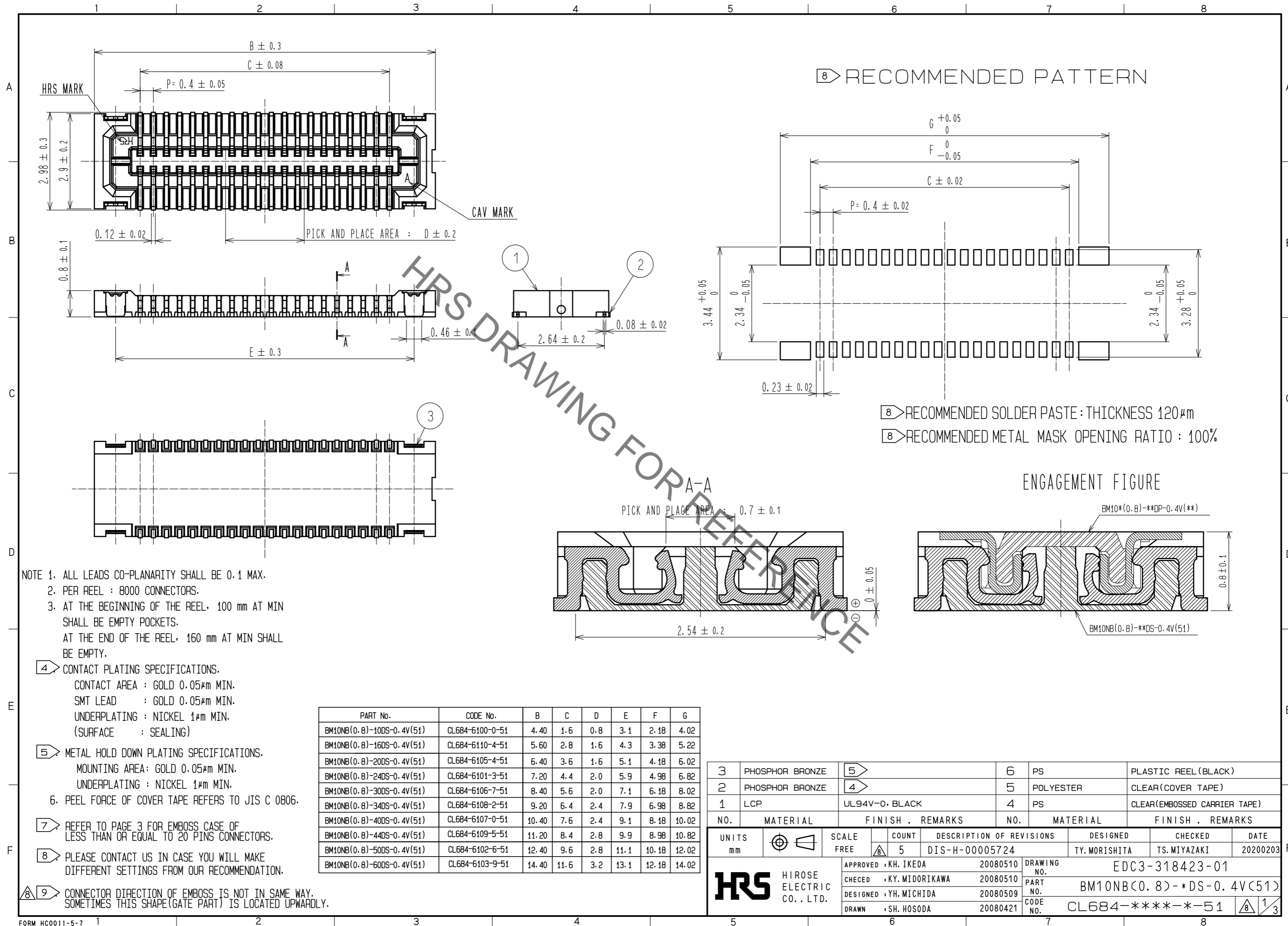


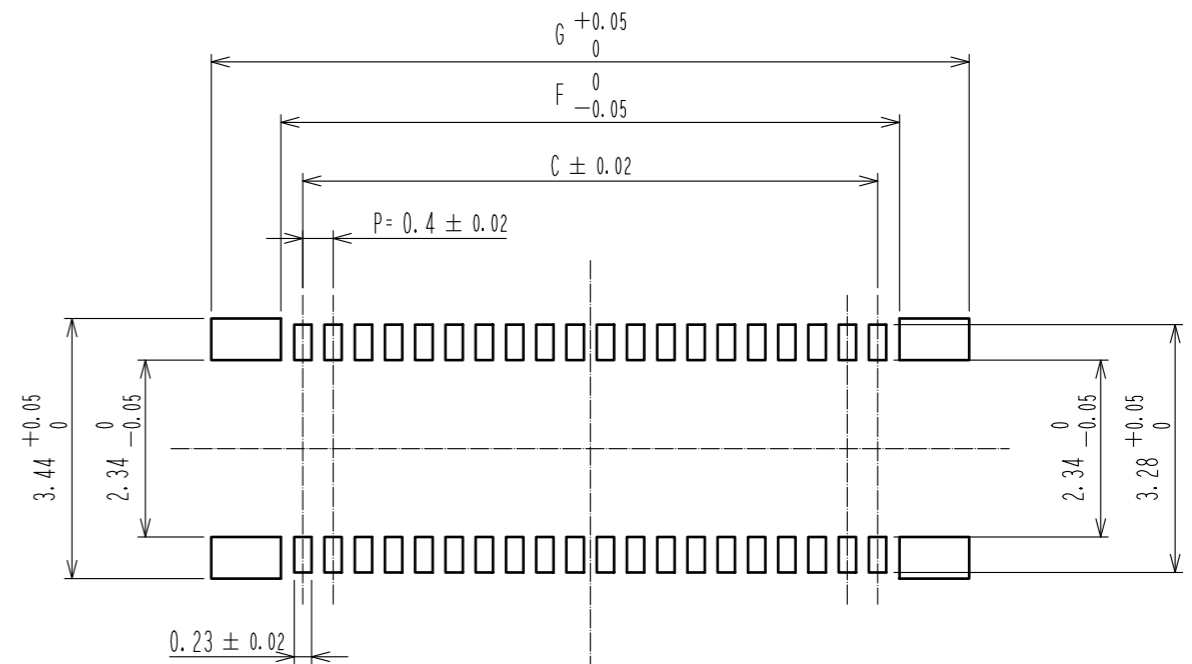
Jul.1.2021 Copyright 2021 HIROSE ELECTRIC CO., LTD. All Rights Reserved.  
In case of consideration for using Automotive equipment / device which demand high reliability, kindly contact our sales window correspondents.



NOTE 1. ALL LEADS CO-PLANARITY SHALL BE 0.1 MAX.  
 2. PER REEL : 8000 CONNECTORS.  
 3. AT THE BEGINNING OF THE REEL, 100 mm AT MIN SHALL BE EMPTY POCKETS.  
 AT THE END OF THE REEL, 160 mm AT MIN SHALL BE EMPTY.

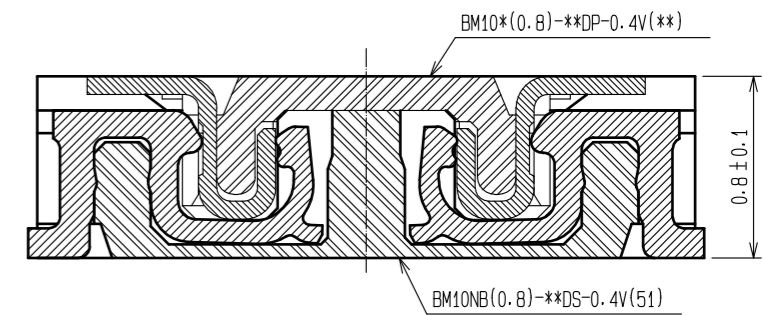
- 4 CONTACT PLATING SPECIFICATIONS.  
 CONTACT AREA : GOLD 0.05μm MIN.  
 SMT LEAD : GOLD 0.05μm MIN.  
 UNDERPLATING : NICKEL 1μm MIN.  
 (SURFACE : SEALING)
- 5 METAL HOLD DOWN PLATING SPECIFICATIONS.  
 MOUNTING AREA: GOLD 0.05μm MIN.  
 UNDERPLATING : NICKEL 1μm MIN.
6. PEEL FORCE OF COVER TAPE REFERS TO JIS C 0806.
- 7 REFER TO PAGE 3 FOR EMBOSS CASE OF LESS THAN OR EQUAL TO 20 PINS CONNECTORS.
- 8 PLEASE CONTACT US IN CASE YOU WILL MAKE DIFFERENT SETTINGS FROM OUR RECOMMENDATION.
- 9 CONNECTOR DIRECTION OF EMBOSS IS NOT IN SAME WAY. SOMETIMES THIS SHAPE(GATE PART) IS LOCATED UPWARDLY.

8 RECOMMENDED PATTERN



- 8 RECOMMENDED SOLDER PASTE : THICKNESS 120μm  
 8 RECOMMENDED METAL MASK OPENING RATIO : 100%

ENGAGEMENT FIGURE



NO.	MATERIAL	FINISH	REMARKS	NO.	MATERIAL	FINISH	REMARKS
3	PHOSPHOR BRONZE	5		6	PS		PLASTIC REEL (BLACK)
2	PHOSPHOR BRONZE	4		5	POLYESTER		CLEAR (COVER TAPE)
1	LCP		UL94V-0, BLACK	4	PS		CLEAR (EMBOSSED CARRIER TAPE)

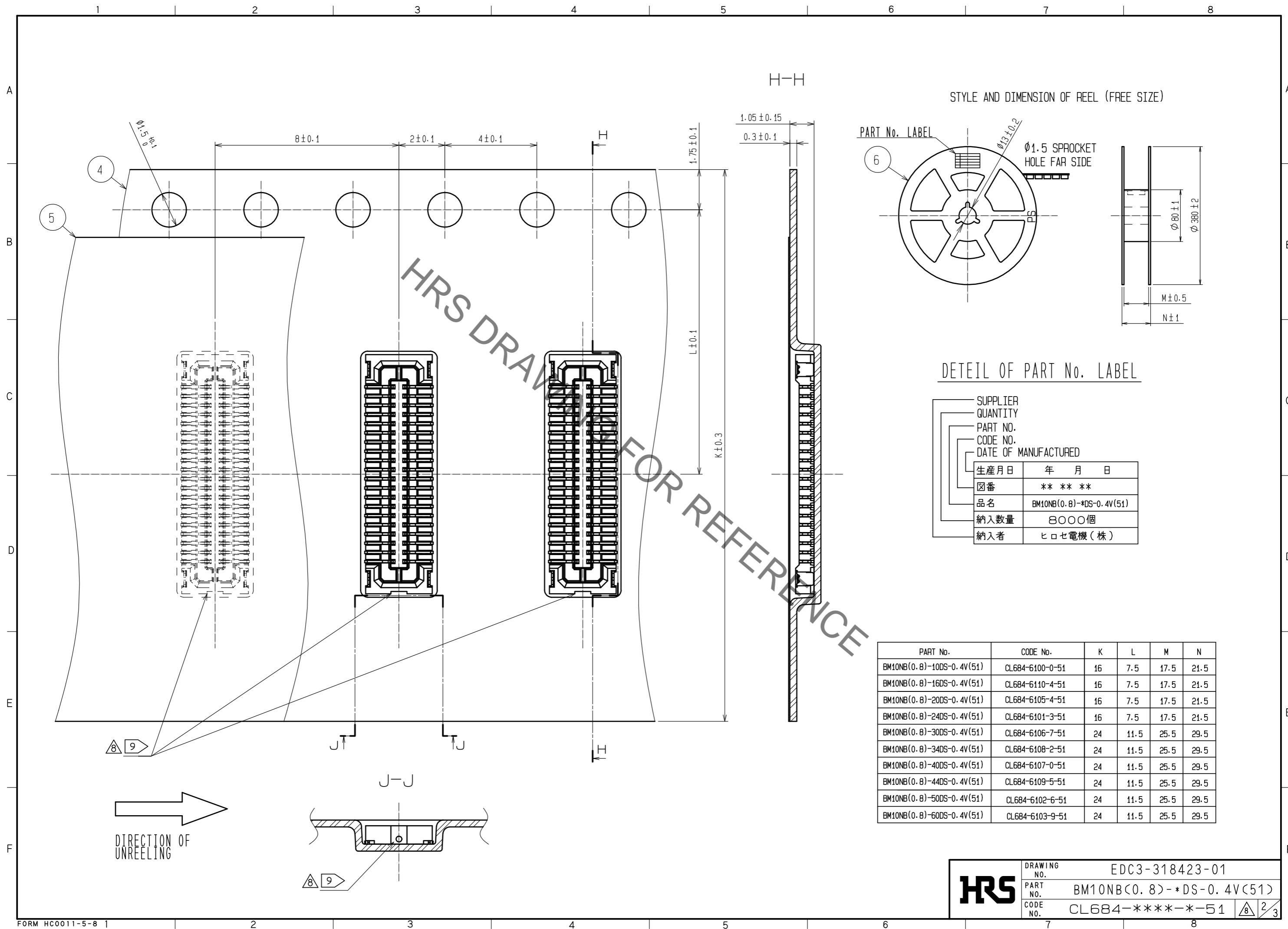
  

UNITS	SCALE	COUNT	DESCRIPTION OF REVISIONS	DESIGNED	CHECKED	DATE
mm	FREE	5	DIS-H-00005724	TY. MORISHITA	TS. MIYAZAKI	20200203

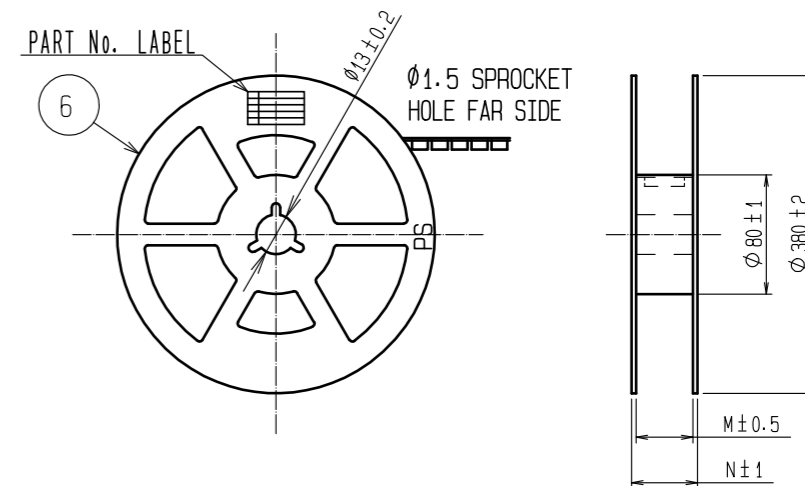
  

APPROVED	CHECED	DESIGNED	DRAWN	DRAWING NO.	PART NO.	CODE NO.
KH. IKEDA	KY. MIDORIKAWA	YH. MICHIDA	SH. HOSODA	20080510	20080510	20080509
				EDC3-318423-01	BM10NB(0.8)-*DS-0.4V(51)	CL684-***-*-51

Jul.1.2021 Copyright 2021 HIROSE ELECTRIC CO., LTD. All Rights Reserved.  
 In case of consideration for using Automotive equipment / device which demand high reliability, kindly contact our sales window correspondents.



STYLE AND DIMENSION OF REEL (FREE SIZE)



DETAIL OF PART No. LABEL

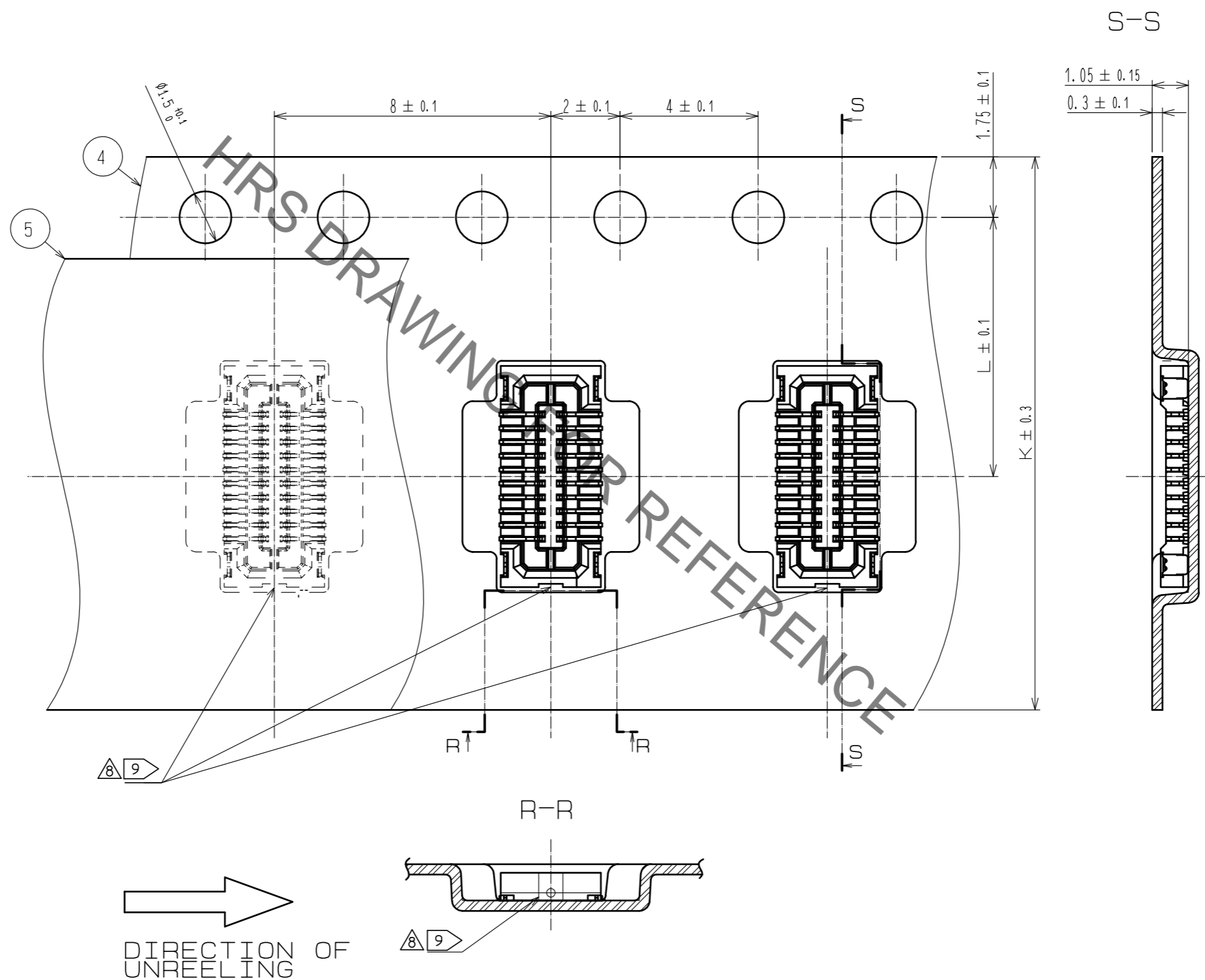
SUPPLIER	
QUANTITY	
PART NO.	
CODE NO.	
DATE OF MANUFACTURED	
生産月日	年 月 日
図番	** ** *
品名	BM10NB(0.8)-*DS-0.4V(51)
納入数量	8000個
納入者	ヒロセ電機(株)

PART No.	CODE No.	K	L	M	N
BM10NB(0.8)-10DS-0.4V(51)	CL684-6100-0-51	16	7.5	17.5	21.5
BM10NB(0.8)-16DS-0.4V(51)	CL684-6110-4-51	16	7.5	17.5	21.5
BM10NB(0.8)-20DS-0.4V(51)	CL684-6105-4-51	16	7.5	17.5	21.5
BM10NB(0.8)-24DS-0.4V(51)	CL684-6101-3-51	16	7.5	17.5	21.5
BM10NB(0.8)-30DS-0.4V(51)	CL684-6106-7-51	24	11.5	25.5	29.5
BM10NB(0.8)-34DS-0.4V(51)	CL684-6108-2-51	24	11.5	25.5	29.5
BM10NB(0.8)-40DS-0.4V(51)	CL684-6107-0-51	24	11.5	25.5	29.5
BM10NB(0.8)-44DS-0.4V(51)	CL684-6109-5-51	24	11.5	25.5	29.5
BM10NB(0.8)-50DS-0.4V(51)	CL684-6102-6-51	24	11.5	25.5	29.5
BM10NB(0.8)-60DS-0.4V(51)	CL684-6103-9-51	24	11.5	25.5	29.5

<b>HRS</b>	DRAWING NO.	EDC3-318423-01		
	PART NO.	BM10NB(0.8)-*DS-0.4V(51)		
	CODE NO.	CL684-****-*-51	⑧	2/3

Jul.1.2021 Copyright 2021 HIROSE ELECTRIC CO., LTD. All Rights Reserved.  
 In case of consideration for using Automotive equipment / device which demand high reliability, kindly contact our sales window correspondents.

EMBOSS CASE OF LESS THAN OR EQUAL TO 20 PINS CONNECTORS



<b>HRS</b>	DRAWING NO.	EDC3-318423-01	
	PART NO.	BM10NB(0.8)-*DS-0.4V(51)	
	CODE NO.	CL684-****-*-51	

## X-ON Electronics

Largest Supplier of Electrical and Electronic Components

*Click to view similar products for [Board to Board & Mezzanine Connectors](#) category:*

*Click to view products by [Hirose](#) manufacturer:*

Other Similar products are found below :

[589158040000018](#) [MDF7C-18P-2.54DSA\(55\)](#) [FCN-230C068-11](#) [FCN-268F012-G/BD](#) [FCN-268F036-G/BD](#) [FCN-268M012-G/0D](#) [FCN-268M024-G/1D](#) [FCN-723J004/1](#) [MIS-048-01-F-D-DP-K](#) [832-10-034-10-001000](#) [FX4C-80S-1.27DSA](#) [FCN-214Q030-G/0](#) [FCN-234P048-G/0](#) [FCN-235D050-G/C](#) [210-93-314-41-105000](#) [2-22603-0](#) [MDF7-40DP-2.54DSA\(55\)](#) [AXG720047](#) [MIT-114-03-F-D-K](#) [55323-1519](#) [DF33-2P-3.3DSA\(24\)](#) [YFT-20-05-H-03-SB-K](#) [503308-3040](#) [026-6203-PDB](#) [027-6203-PDB](#) [069159702701000](#) [10123981-102LF](#) [101A10019X](#) [55650-0588-C](#) [68682-310LF](#) [68684-306](#) [75140-7012](#) [87471-650](#) [YTW-30-07-H-Q-410-140](#) [FCN-268F024-G0D](#) [10124054-515LF](#) [68685-603](#) [8-1616154-3](#) [MIS-019-01-F-D](#) [FCN-268M024-G/3D](#) [FCN-268M036-G/BD](#) [20021832-06016C1LF](#) [KX15-20KLDL-E1000E](#) [AXE810124](#) [FCN-214J100-G/0](#) [FCN-230C068-E/S](#) [AXE812124](#) [AXE816124](#) [AXE720127](#) [354184](#)