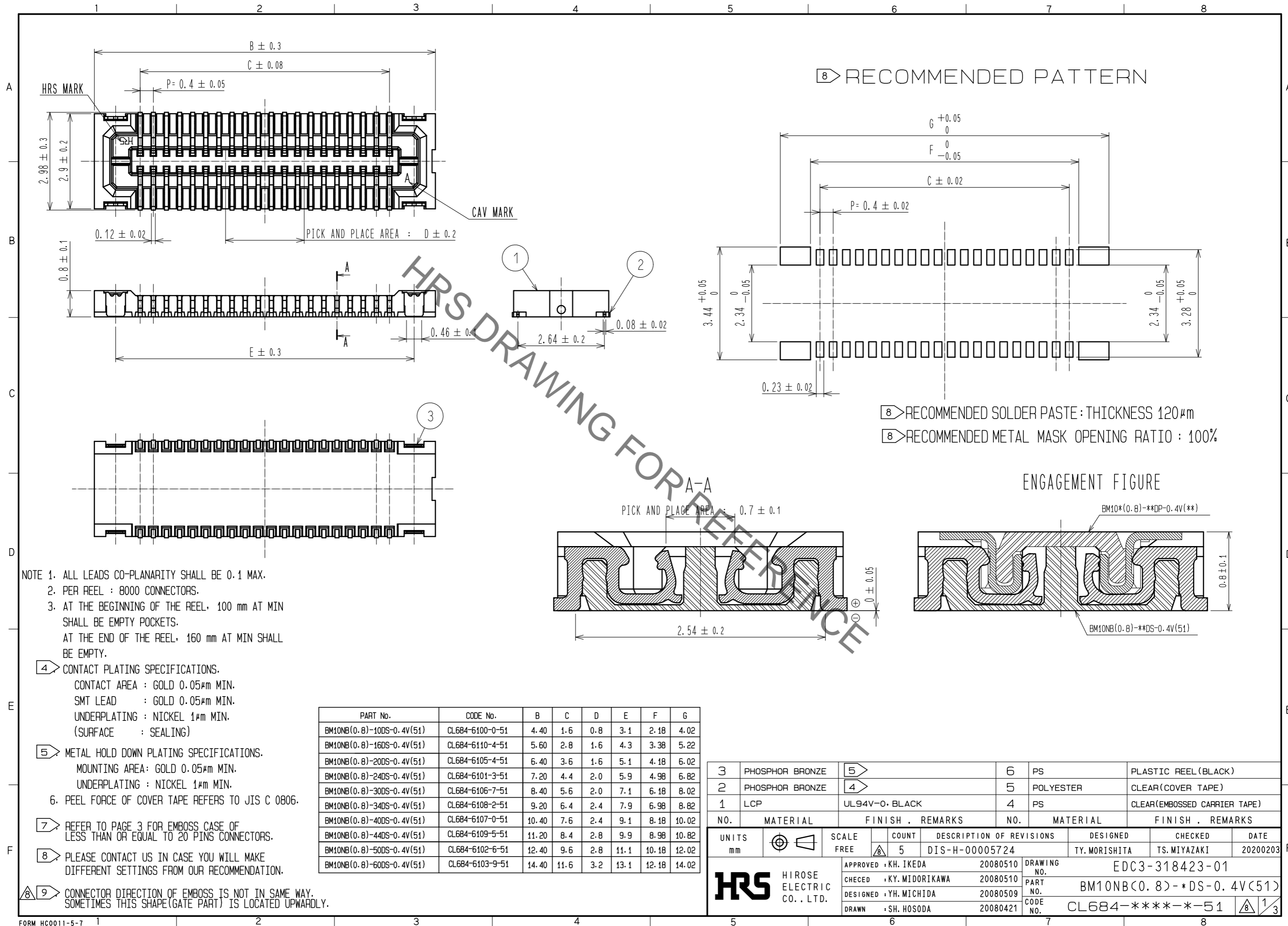


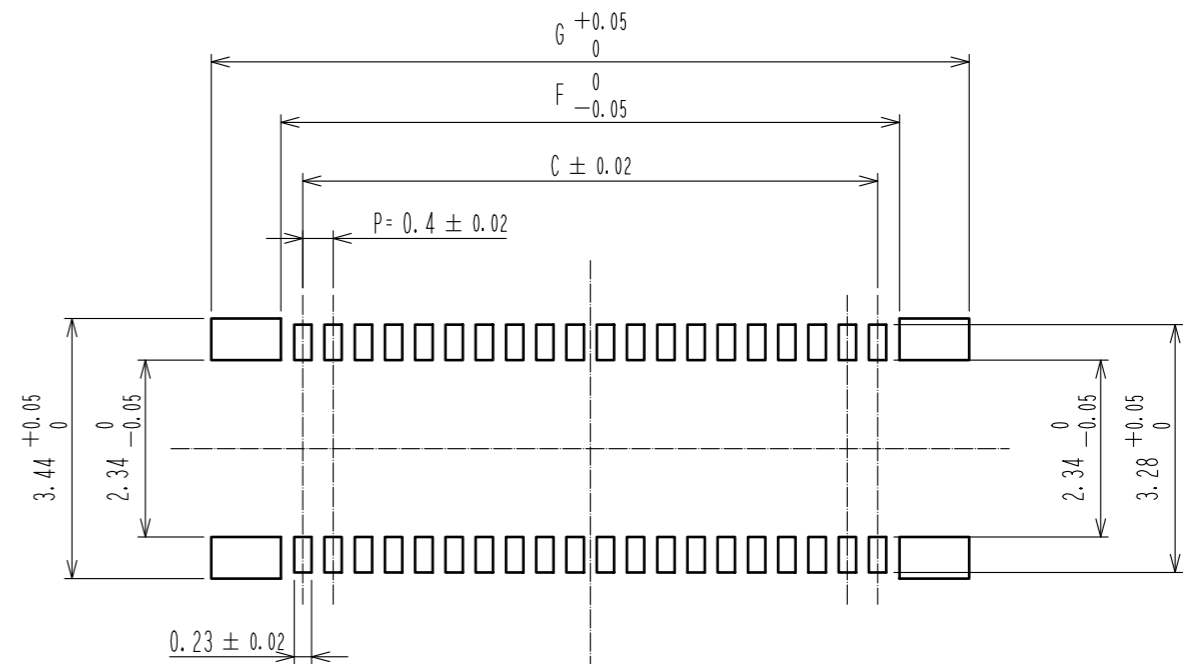
Sep.1.2021 Copyright 2021 HIROSE ELECTRIC CO., LTD. All Rights Reserved.
In case of consideration for using Automotive equipment / device which demand high reliability, kindly contact our sales window correspondents.



NOTE 1. ALL LEADS CO-PLANARITY SHALL BE 0.1 MAX.
 2. PER REEL : 8000 CONNECTORS.
 3. AT THE BEGINNING OF THE REEL, 100 mm AT MIN SHALL BE EMPTY POCKETS.
 AT THE END OF THE REEL, 160 mm AT MIN SHALL BE EMPTY.

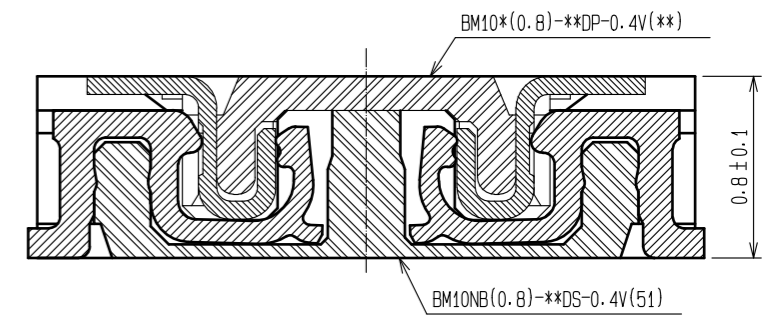
- 4 CONTACT PLATING SPECIFICATIONS.
 CONTACT AREA : GOLD 0.05μm MIN.
 SMT LEAD : GOLD 0.05μm MIN.
 UNDERPLATING : NICKEL 1μm MIN.
 (SURFACE : SEALING)
- 5 METAL HOLD DOWN PLATING SPECIFICATIONS.
 MOUNTING AREA: GOLD 0.05μm MIN.
 UNDERPLATING : NICKEL 1μm MIN.
6. PEEL FORCE OF COVER TAPE REFERS TO JIS C 0806.
- 7 REFER TO PAGE 3 FOR EMBOSS CASE OF LESS THAN OR EQUAL TO 20 PINS CONNECTORS.
- 8 PLEASE CONTACT US IN CASE YOU WILL MAKE DIFFERENT SETTINGS FROM OUR RECOMMENDATION.
- 9 CONNECTOR DIRECTION OF EMBOSS IS NOT IN SAME WAY. SOMETIMES THIS SHAPE(GATE PART) IS LOCATED UPWARDLY.

8 RECOMMENDED PATTERN



8 RECOMMENDED SOLDER PASTE : THICKNESS 120μm
 8 RECOMMENDED METAL MASK OPENING RATIO : 100%

ENGAGEMENT FIGURE

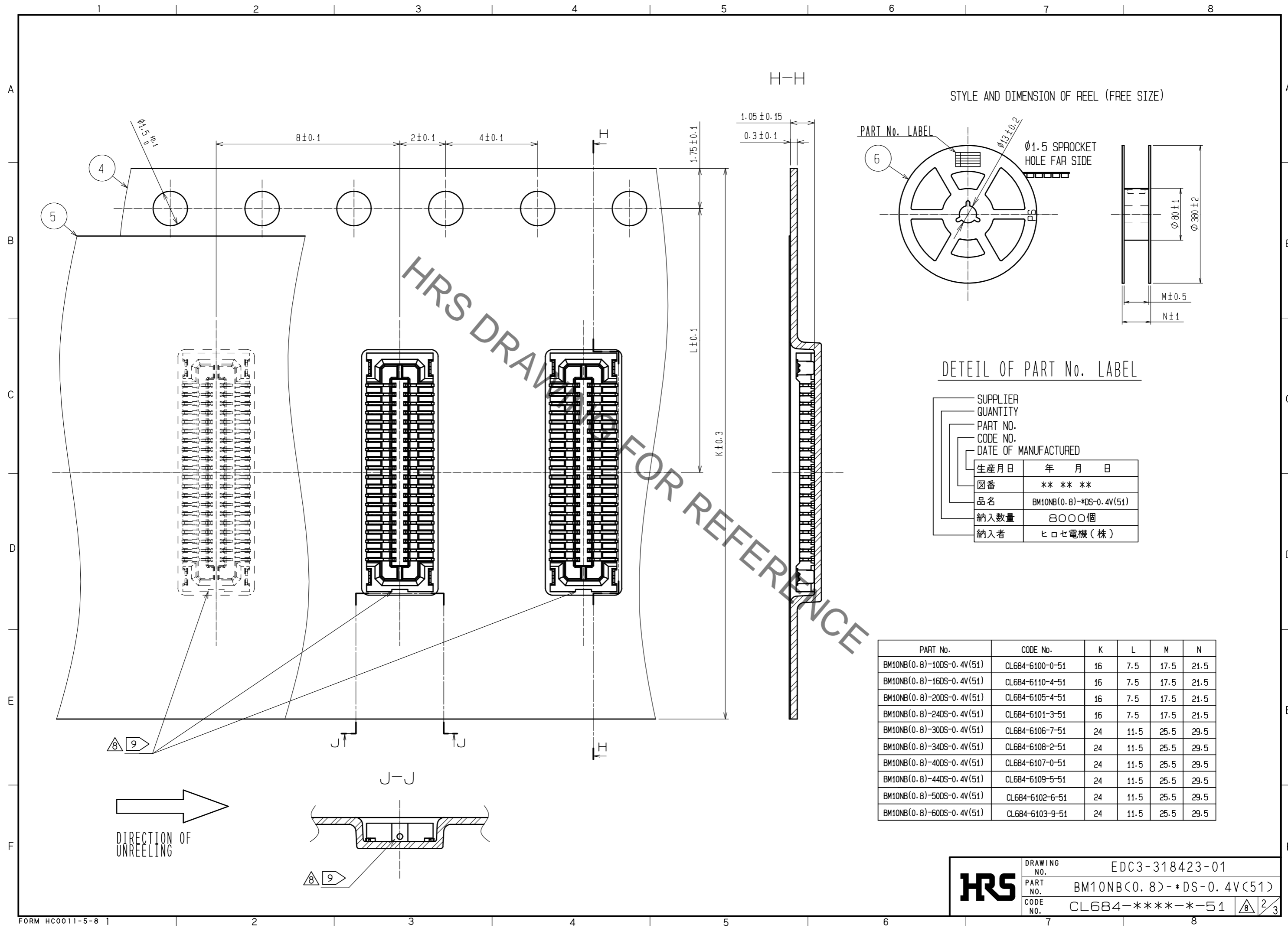


NO.	MATERIAL	FINISH . REMARKS	NO.	MATERIAL	FINISH . REMARKS
3	PHOSPHOR BRONZE	5	6	PS	PLASTIC REEL (BLACK)
2	PHOSPHOR BRONZE	4	5	POLYESTER	CLEAR(COVER TAPE)
1	LCP	UL94V-0. BLACK	4	PS	CLEAR(EMBOSSED CARRIER TAPE)

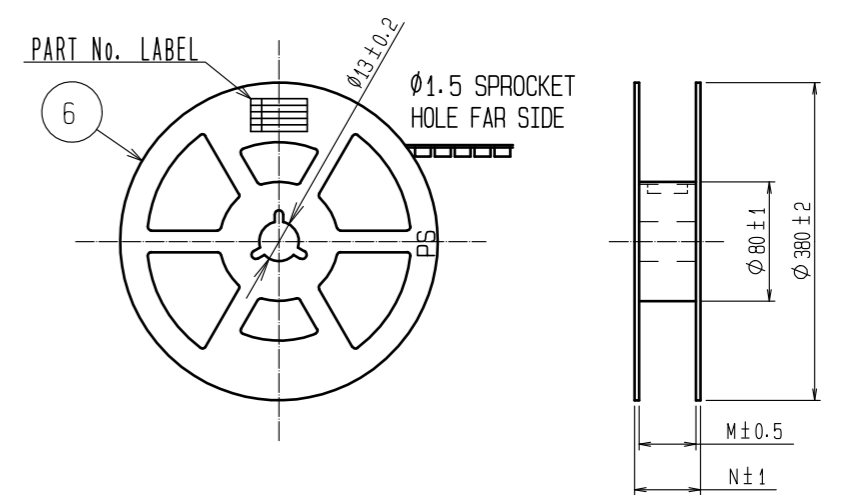
UNITS	SCALE	COUNT	DESCRIPTION OF REVISIONS	DESIGNED	CHECKED	DATE
mm	FREE	5	DIS-H-00005724	TY. MORISHITA	TS. MIYAZAKI	20200203

APPROVED	CHECED	DESIGNED	DRAWN	DRAWING NO.	PART NO.	CODE NO.
KH. IKEDA	KY. MIDORIKAWA	YH. MICHIDA	SH. HOSODA	20080510	20080510	20080509
				EDC3-318423-01	BM10NB(0.8)-*DS-0.4V(51)	
				CL684-***-*-51		

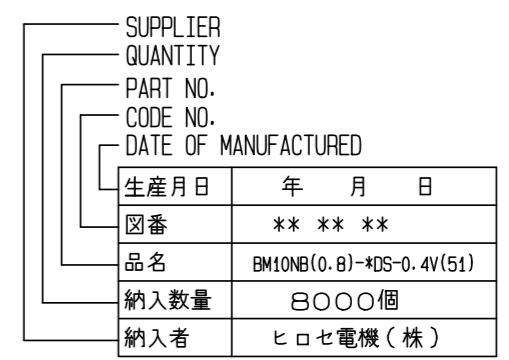
Sep.1.2021 Copyright 2021 HIROSE ELECTRIC CO., LTD. All Rights Reserved.
 In case of consideration for using Automotive equipment / device which demand high reliability, kindly contact our sales window correspondents.



STYLE AND DIMENSION OF REEL (FREE SIZE)



DETAIL OF PART No. LABEL

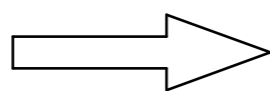
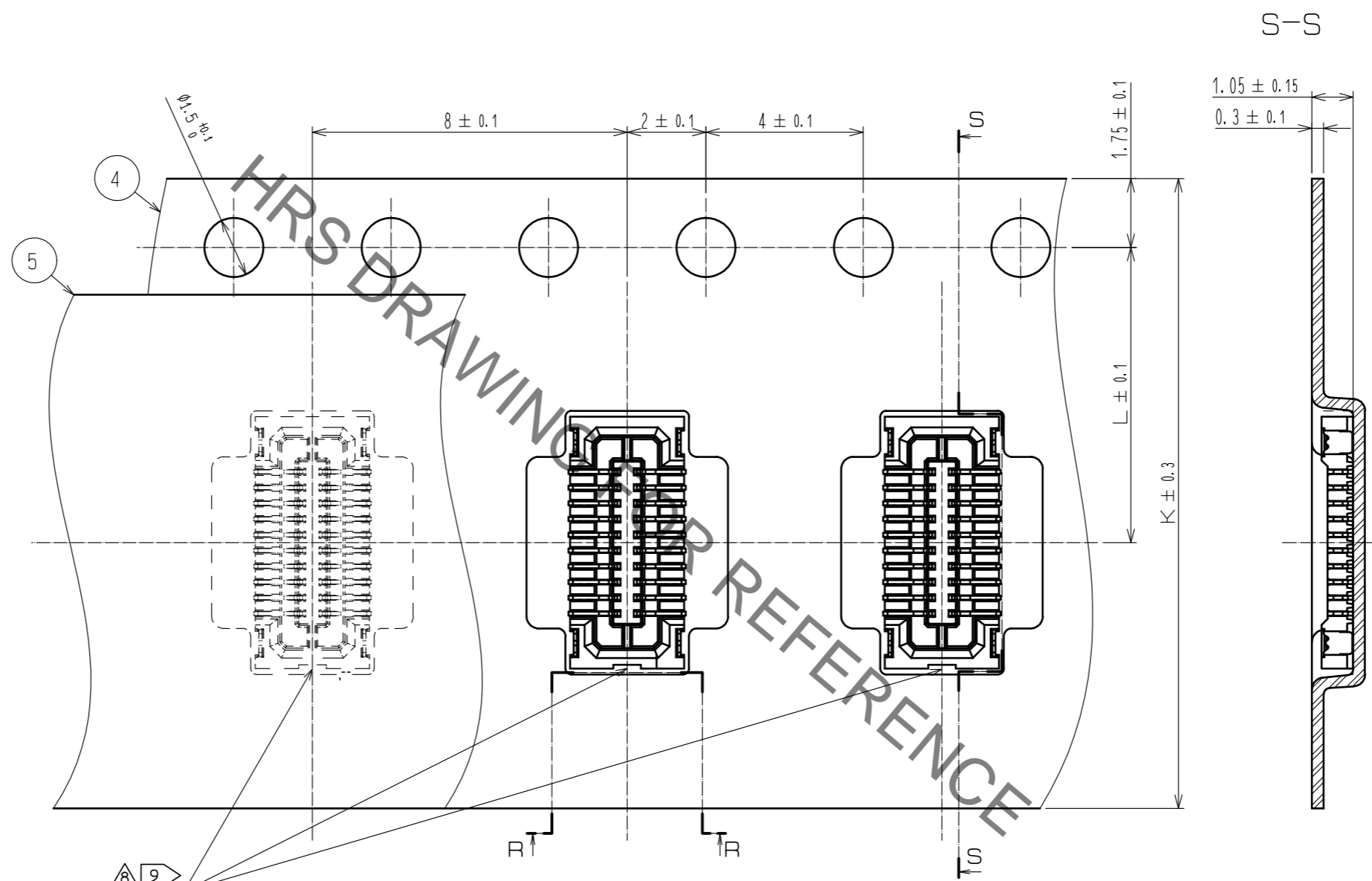


PART No.	CODE No.	K	L	M	N
BM10NB(0.8)-10DS-0.4V(51)	CL684-6100-0-51	16	7.5	17.5	21.5
BM10NB(0.8)-16DS-0.4V(51)	CL684-6110-4-51	16	7.5	17.5	21.5
BM10NB(0.8)-20DS-0.4V(51)	CL684-6105-4-51	16	7.5	17.5	21.5
BM10NB(0.8)-24DS-0.4V(51)	CL684-6101-3-51	16	7.5	17.5	21.5
BM10NB(0.8)-30DS-0.4V(51)	CL684-6106-7-51	24	11.5	25.5	29.5
BM10NB(0.8)-34DS-0.4V(51)	CL684-6108-2-51	24	11.5	25.5	29.5
BM10NB(0.8)-40DS-0.4V(51)	CL684-6107-0-51	24	11.5	25.5	29.5
BM10NB(0.8)-44DS-0.4V(51)	CL684-6109-5-51	24	11.5	25.5	29.5
BM10NB(0.8)-50DS-0.4V(51)	CL684-6102-6-51	24	11.5	25.5	29.5
BM10NB(0.8)-60DS-0.4V(51)	CL684-6103-9-51	24	11.5	25.5	29.5

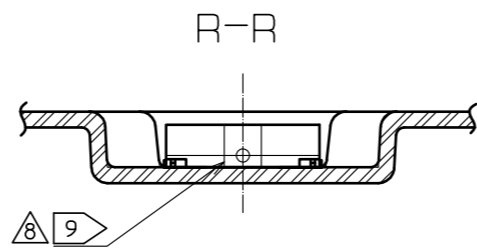
HRS	DRAWING NO.	EDC3-318423-01		
	PART NO.	BM10NB(0.8)-*DS-0.4V(51)		
	CODE NO.	CL684-****-*-51	8	2/3

Sep.1.2021 Copyright 2021 HIROSE ELECTRIC CO., LTD. All Rights Reserved.
In case of consideration for using Automotive equipment / device which demand high reliability, kindly contact our sales window correspondents.

7 EMBOSS CASE OF LESS THAN OR EQUAL TO 20 PINS CONNECTORS



DIRECTION OF UNREELING



HRS	DRAWING NO.	EDC3-318423-01
	PART NO.	BM10NB(0.8)-*DS-0.4V(51)
	CODE NO.	CL684-****-*51

3/3

X-ON Electronics

Largest Supplier of Electrical and Electronic Components

Click to view similar products for [Board to Board & Mezzanine Connectors](#) category:

Click to view products by [Hirose](#) manufacturer:

Other Similar products are found below :

[589158040000018](#) [MDF7C-18P-2.54DSA\(55\)](#) [FCN-230C068-11](#) [FCN-268F012-G/BD](#) [FCN-268F036-G/BD](#) [FCN-268M012-G/0D](#) [FCN-268M024-G/1D](#) [FCN-723J004/1](#) [MIS-048-01-F-D-DP-K](#) [832-10-034-10-001000](#) [FX4C-80S-1.27DSA](#) [FCN-214Q030-G/0](#) [FCN-234P048-G/0](#) [FCN-235D050-G/C](#) [210-93-314-41-105000](#) [2-22603-0](#) [MDF7-40DP-2.54DSA\(55\)](#) [AXG720047](#) [MIT-114-03-F-D-K](#) [55323-1519](#) [DF33-2P-3.3DSA\(24\)](#) [YFT-20-05-H-03-SB-K](#) [503308-3040](#) [026-6203-PDB](#) [027-6203-PDB](#) [069159702701000](#) [10123981-102LF](#) [101A10019X](#) [55650-0588-C](#) [68682-310LF](#) [68684-306](#) [75140-7012](#) [87471-650](#) [YTW-30-07-H-Q-410-140](#) [FCN-268F024-G0D](#) [10124054-515LF](#) [68685-603](#) [8-1616154-3](#) [MIS-019-01-F-D](#) [FCN-268M024-G/3D](#) [FCN-268M036-G/BD](#) [20021832-06016C1LF](#) [KX15-20KLDL-E1000E](#) [AXE810124](#) [FCN-214J100-G/0](#) [FCN-230C068-E/S](#) [AXE812124](#) [AXE816124](#) [AXE720127](#) [354184](#)