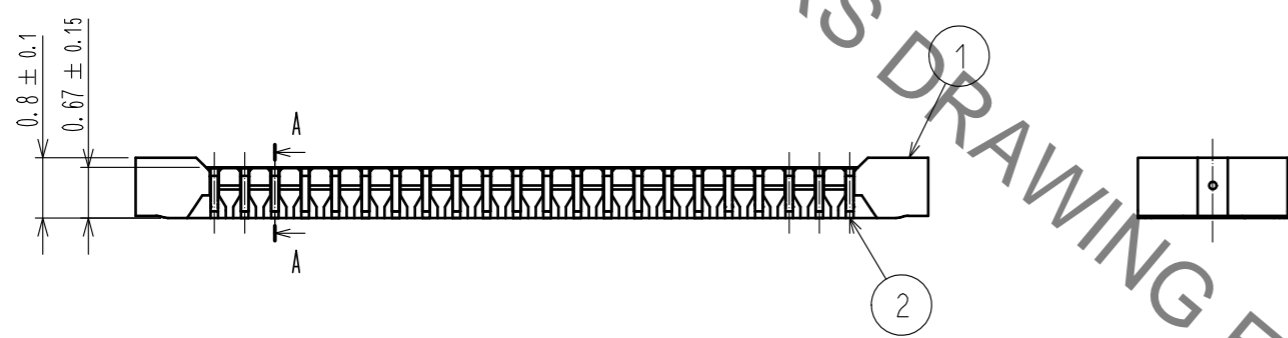
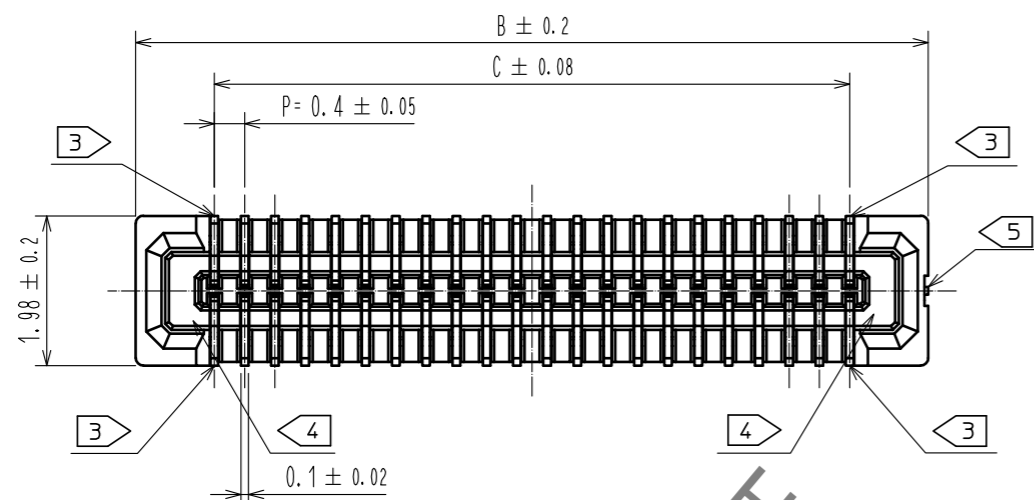
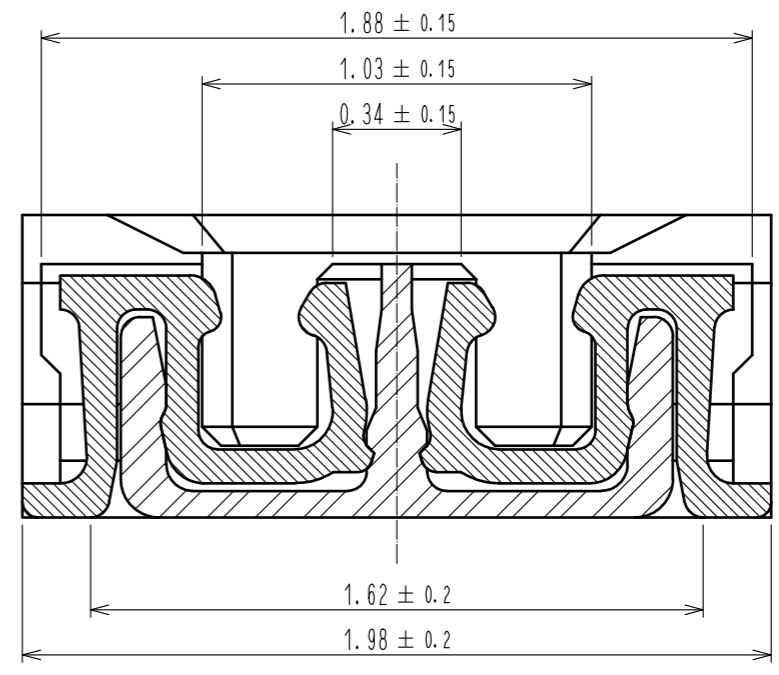


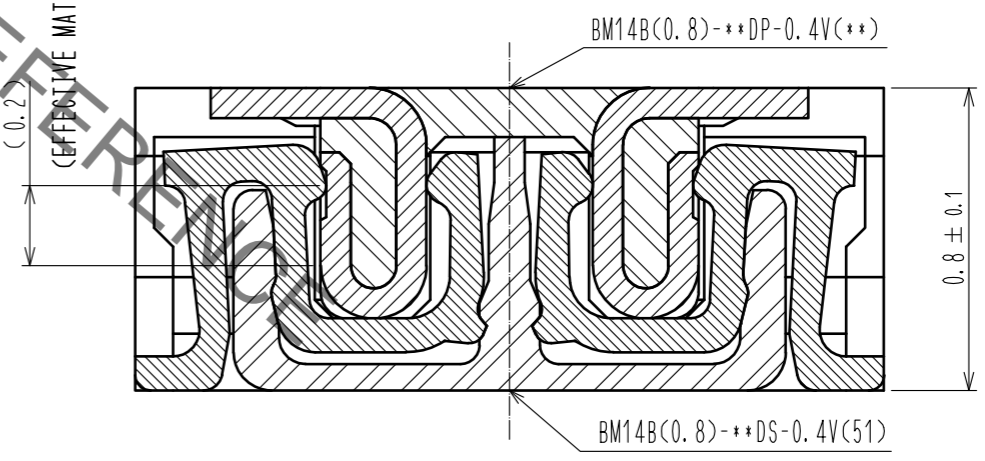
Jul.1.2021 Copyright 2021 HIROSE ELECTRIC CO., LTD. All Rights Reserved.
 In case of consideration for using Automotive equipment / device which demand high reliability, kindly contact our sales window correspondents.



A-A (50:1)



ENGAGEMENT FIGURE (50:1)



- NOTE) 1. ALL LEAD CO-PLANARITY SHALL BE 0.08mm MAX
 2. CONTACT PLATING SPECIFICATIONS.
 CONTACT AREA : GOLD 0.05 μm MIN
 SMT LEAD : GOLD 0.05 μm MIN
 UNDERPLATING : NICKEL 1 μm MIN
 (SURFACE : SEALING)
 3. EACH CONTACTS AT 4 CORNERS ARE PROVIDED FOR METAL FITTINGS AND GROUNDING PURPOSE.
 4. HRS MARK AND CAV NO. ARE INDICATED IN APPROX POSITION SHOWN.
 5. GATE POSITION IS INDICATED IN APPROX POSITION SHOWN.

PART No.	CODE No.	B	C
BM14B(0.8)-10DS-0.4V(51)	CL684-8003-5-51	4.48	2.4
BM14B(0.8)-12DS-0.4V(51)	CL684-8041-4-51	4.88	2.8
BM14B(0.8)-20DS-0.4V(51)	CL684-8004-8-51	6.48	4.4
BM14B(0.8)-22DS-0.4V(51)	-	6.88	4.8
BM14B(0.8)-24DS-0.4V(51)	CL684-8005-0-51	7.28	5.2
BM14B(0.8)-30DS-0.4V(51)	CL684-8006-3-51	8.48	6.4
BM14B(0.8)-34DS-0.4V(51)	CL684-8007-6-51	9.28	7.2
BM14B(0.8)-40DS-0.4V(51)	CL684-8008-9-51	10.48	8.4
BM14B(0.8)-50DS-0.4V(51)	CL684-8009-1-51	12.48	10.4
BM14B(0.8)-60DS-0.4V(51)	CL684-8001-0-51	14.48	12.4

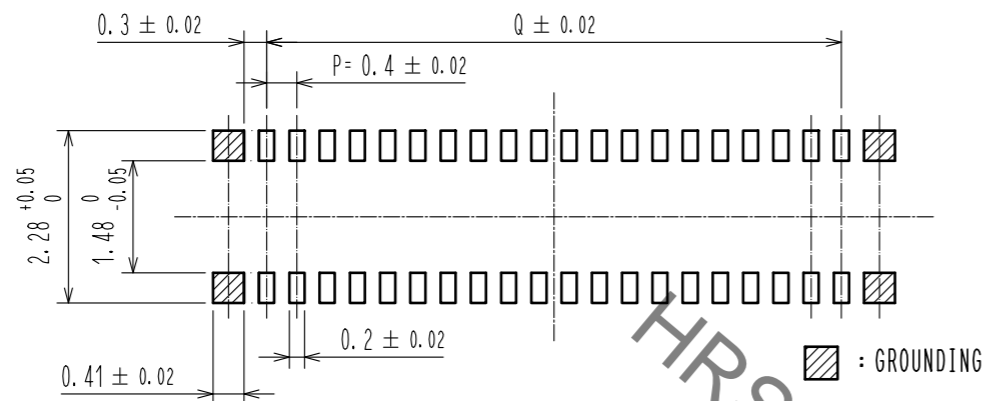
NO.	MATERIAL	FINISH . REMARKS	NO.	MATERIAL	FINISH . REMARKS
3	PS	CLEAR (ENBOSSED CARRIER TAPE)	6	PS	CLEAR (REINFORCEMENT COLLAR)
2	PHOSPHOR BRONZE	2	5	PS	BLACK (PLASTIC REEL)
1	LCP	UL94 V-0, BLACK	4	POLYESTER	CLEAR (COVER TAPE)

UNITS	SCALE	COUNT	DESCRIPTION OF REVISIONS	DESIGNED	CHECKED	DATE
mm	10:1	1	DIS-H-00003048	NY.YAMASHIRO	TS.MIYAZAKI	17.09.29

APPROVED	CHECKED	DESIGNED	DRAWN	DRAWING NO.	PART NO.	CODE NO.
: KH. IKEDA	: WR. FUKUCHI	: YH. HASEGAWA	: YH. HASEGAWA	EDC3-322327-04	BM14B(0.8)-*DS-0.4V(51)	CL684
09.11.24	09.11.24	09.11.20	09.11.20			

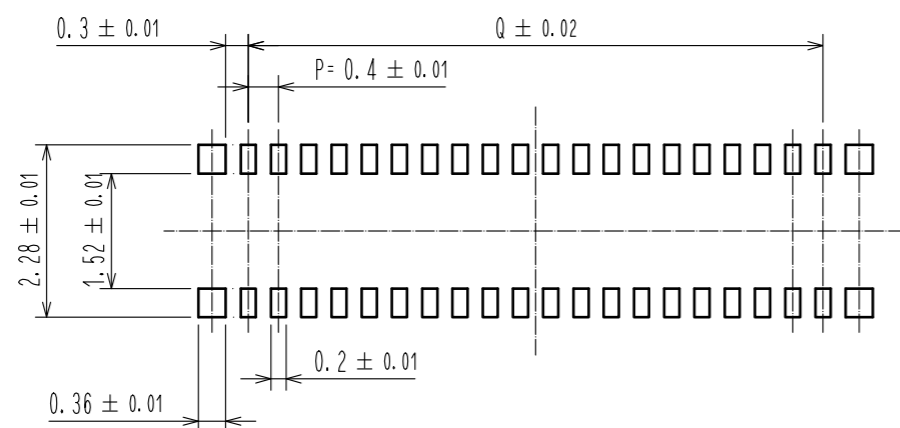
Jul.1.2021 Copyright 2021 HIROSE ELECTRIC CO., LTD. All Rights Reserved.
 In case of consideration for using Automotive equipment / device which demand high reliability, kindly contact our sales window correspondents.

◆ RECOMMENDED PCB LAYOUT



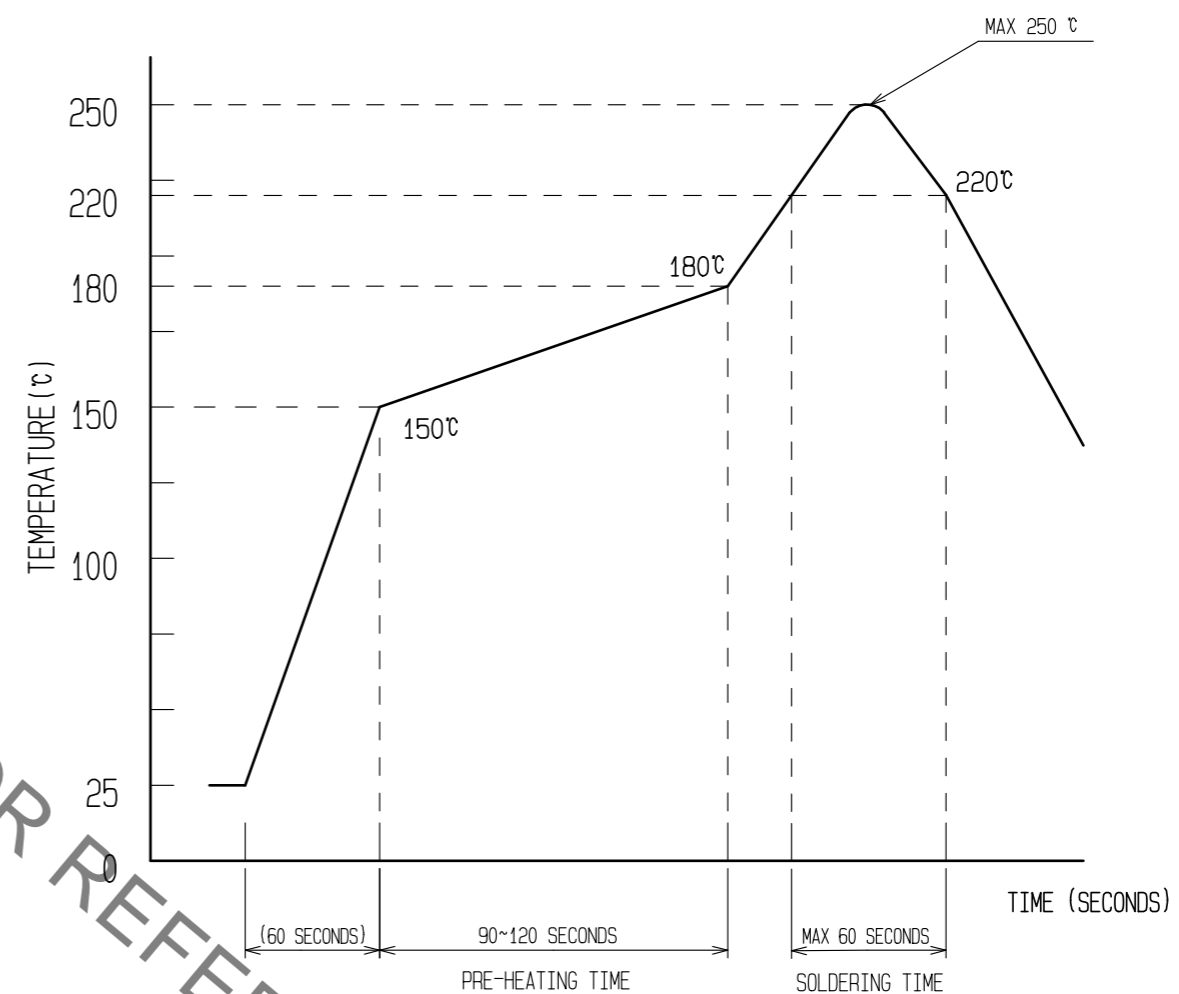
◆ RECOMMENDED METAL MASK DIMENSIONS

METAL MASK THICKNESS : 100 μm



PART No.	Q
BM14B(0.8)-10DS-0.4V(51)	1.6
BM14B(0.8)-12DS-0.4V(51)	2.0
BM14B(0.8)-20DS-0.4V(51)	3.6
BM14B(0.8)-22DS-0.4V(51)	4.0
BM14B(0.8)-24DS-0.4V(51)	4.4
BM14B(0.8)-30DS-0.4V(51)	5.6
BM14B(0.8)-34DS-0.4V(51)	6.4
BM14B(0.8)-40DS-0.4V(51)	7.6
BM14B(0.8)-50DS-0.4V(51)	9.6
BM14B(0.8)-60DS-0.4V(51)	11.6

⑥ RECOMMENDED REFLOW TEMPERATURE PROFILE USING LEAD-FREE SOLDER PASTE.



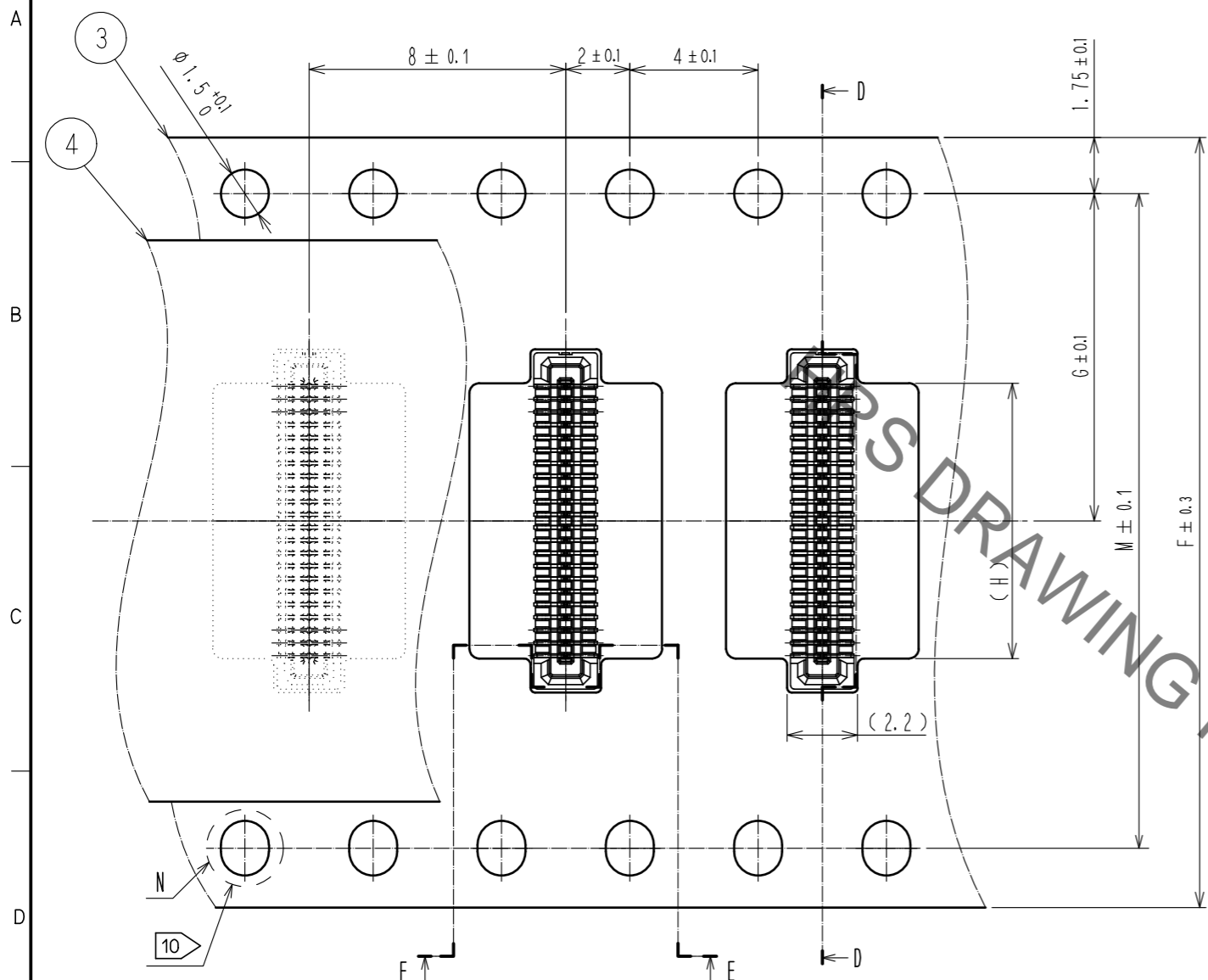
- REFLOW METHOD: IR REFLOW
 NUMBER OF REFLOW CYCLES: 2 CYCLES MAX.
- REFLOW TIME
 DURATION ABOVE 220°C, 60 SEC. MAX.
 (PEAK TEMPERATURE: 250°C MAX)
 - PRE-HEAT TIME
 PRE-HEAT TEMPERATURE(MIN): 150°C
 PRE-HEAT TEMPERATURE(MAX): 180°C
 PRE-HEAT TIME: 90-120 sec.

⑥ THIS TEMPERATURE PROFILE IS PER THE CONDITIONS SHOWN ABOVE. ADDITIONAL FACTORS, SUCH AS SOLDER PASTE TYPE, PCB SIZE AND OTHER MOUNTED COMPONENTS COULD AFFECT THE PROFILE, THEREFORE, A THOROUGH EVALUATION OF MOUNTING CONDITION IS REQUIRED PRIOR TO PRODUCTION. TEMPERATURE IS MEASURED AT CONTACT LEAD.

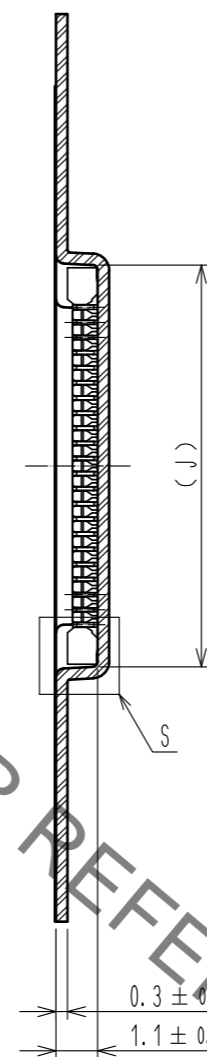
HRS	DRAWING NO.	EDC3-322327-04
	PART NO.	BM14B(0.8)-*DS-0.4V(51)
	CODE NO.	CL684

Jul.1.2021 Copyright 2021 HIROSE ELECTRIC CO., LTD. All Rights Reserved.
 In case of consideration for using Automotive equipment / device which demand high reliability, kindly contact our sales window correspondents.

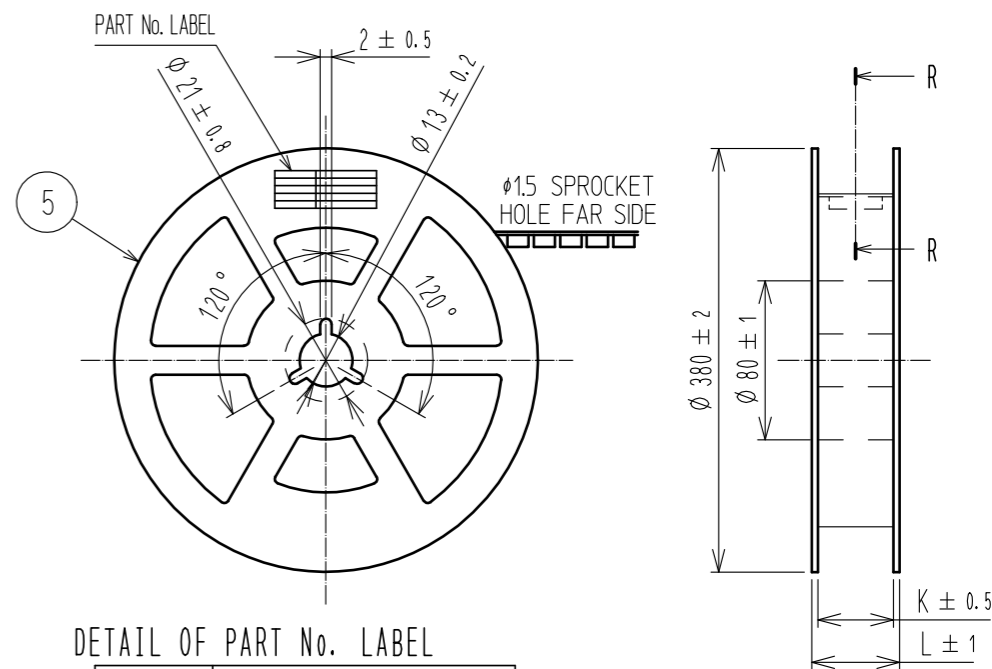
EMBOSSED CARRIER TAPE PACKAGING (5:1)



D-D (5:1)



STYLE AND DIMENTION OF REEL (FREE)

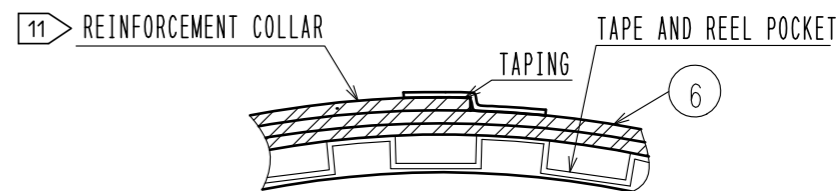


DETAIL OF PART No. LABEL

製造年月日	** ** *
製品コード	CL684-****-***
製品名	BM14B(0.8)-*DS-0.4V(51)
数量	8,000
納入者	ヒロセ電機(株)

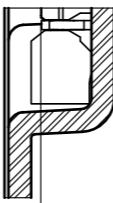
DATE OF MANUFACTURED
 CODE No.
 PART No.
 QUANTITY
 SUPPLIER

R-R (FREE)



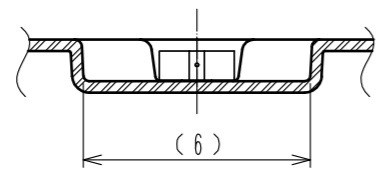
PART No.	F	G	H	J	K	L	M
BM14B(0.8)-10DS-0.4V(51)	16	7.5	2.58	4.7	17.5	21.5	—
BM14B(0.8)-12DS-0.4V(51)	16	7.5	2.98	5.1	17.5	21.5	—
BM14B(0.8)-20DS-0.4V(51)	16	7.5	4.58	6.7	17.5	21.5	—
BM14B(0.8)-22DS-0.4V(51)	16	7.5	4.98	7.1	17.5	21.5	—
BM14B(0.8)-24DS-0.4V(51)	16	7.5	5.38	7.5	17.5	21.5	—
BM14B(0.8)-30DS-0.4V(51)	24	11.5	6.58	8.7	25.5	29.5	—
BM14B(0.8)-34DS-0.4V(51)	24	11.5	7.38	9.5	25.5	29.5	—
BM14B(0.8)-40DS-0.4V(51)	24	11.5	8.58	10.7	25.5	29.5	—
BM14B(0.8)-50DS-0.4V(51)	24	11.5	10.58	12.7	25.5	29.5	—
BM14B(0.8)-60DS-0.4V(51)	24	11.5	12.58	14.7	25.5	29.5	—

S(10:1)

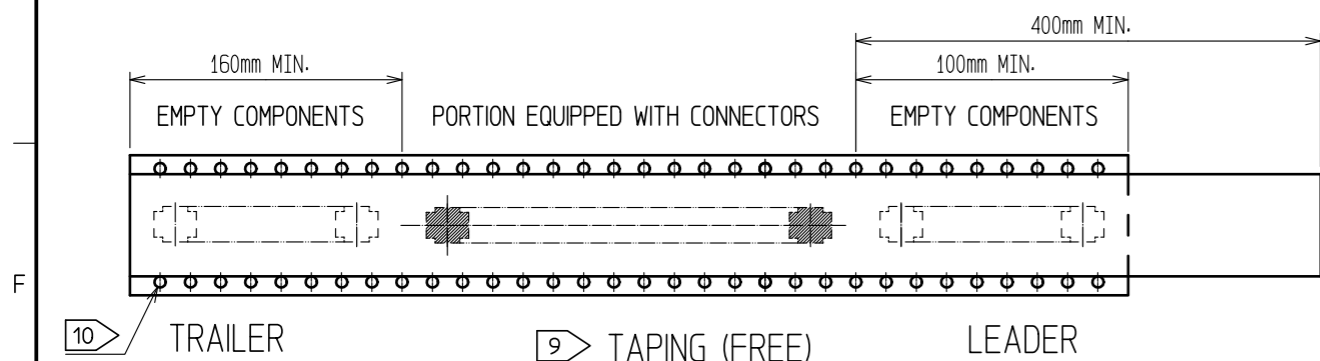
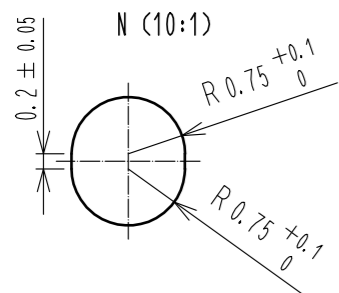


DIRECTION OF UNREELING →

E-E (5:1)



N (10:1)



- PER REEL 8000 CONNECTORS.
- THE DIMENSIONS IN PARENTHESES ARE FOR REFERENCE.
- REFER TO JIS C 0806(PACKAGING OF COMPONENTS FOR AUTOMATIC HANDLING)
- EMBOSSED CARRIER TAPE USED ON 10 TO 60 POSITIONS HAS THE SPROCKET HOLE ON ONE SIDE.
- AFTER PACKAGING, ROLL 2 METERS OF THE REINFORCEMENT COLLAR TO OUTER CIRCUMFERENCE OF TAPE AND REEL POCKET, AND TAPE DOWN AT THE END THE COLLAR.

HRS	DRAWING NO.	EDC3-322327-04
	PART NO.	BM14B(0.8)-*DS-0.4V(51)
	CODE NO.	CL684

X-ON Electronics

Largest Supplier of Electrical and Electronic Components

Click to view similar products for [Board to Board & Mezzanine Connectors](#) category:

Click to view products by [Hirose](#) manufacturer:

Other Similar products are found below :

[589158040000018](#) [MDF7C-18P-2.54DSA\(55\)](#) [FCN-230C068-11](#) [FCN-268F012-G/BD](#) [FCN-268F036-G/BD](#) [FCN-268M012-G/0D](#) [FCN-268M024-G/1D](#) [FCN-723J004/1](#) [MIS-048-01-F-D-DP-K](#) [832-10-034-10-001000](#) [FX4C-80S-1.27DSA](#) [FCN-214Q030-G/0](#) [FCN-234P048-G/0](#) [FCN-235D050-G/C](#) [210-93-314-41-105000](#) [2-22603-0](#) [MDF7-40DP-2.54DSA\(55\)](#) [AXG720047](#) [MIT-114-03-F-D-K](#) [55323-1519](#) [DF33-2P-3.3DSA\(24\)](#) [YFT-20-05-H-03-SB-K](#) [503308-3040](#) [026-6203-PDB](#) [027-6203-PDB](#) [069159702701000](#) [10123981-102LF](#) [101A10019X](#) [55650-0588-C](#) [68682-310LF](#) [68684-306](#) [75140-7012](#) [87471-650](#) [YTW-30-07-H-Q-410-140](#) [FCN-268F024-G0D](#) [10124054-515LF](#) [68685-603](#) [8-1616154-3](#) [MIS-019-01-F-D](#) [FCN-268M024-G/3D](#) [FCN-268M036-G/BD](#) [20021832-06016C1LF](#) [KX15-20KLDL-E1000E](#) [AXE810124](#) [FCN-214J100-G/0](#) [FCN-230C068-E/S](#) [AXE812124](#) [AXE816124](#) [AXE720127](#) [354184](#)