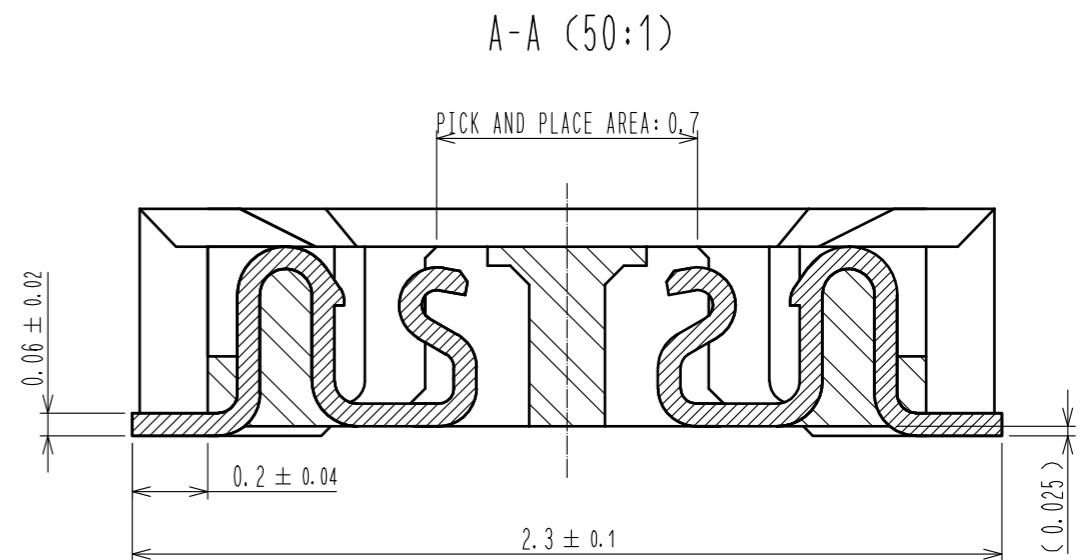
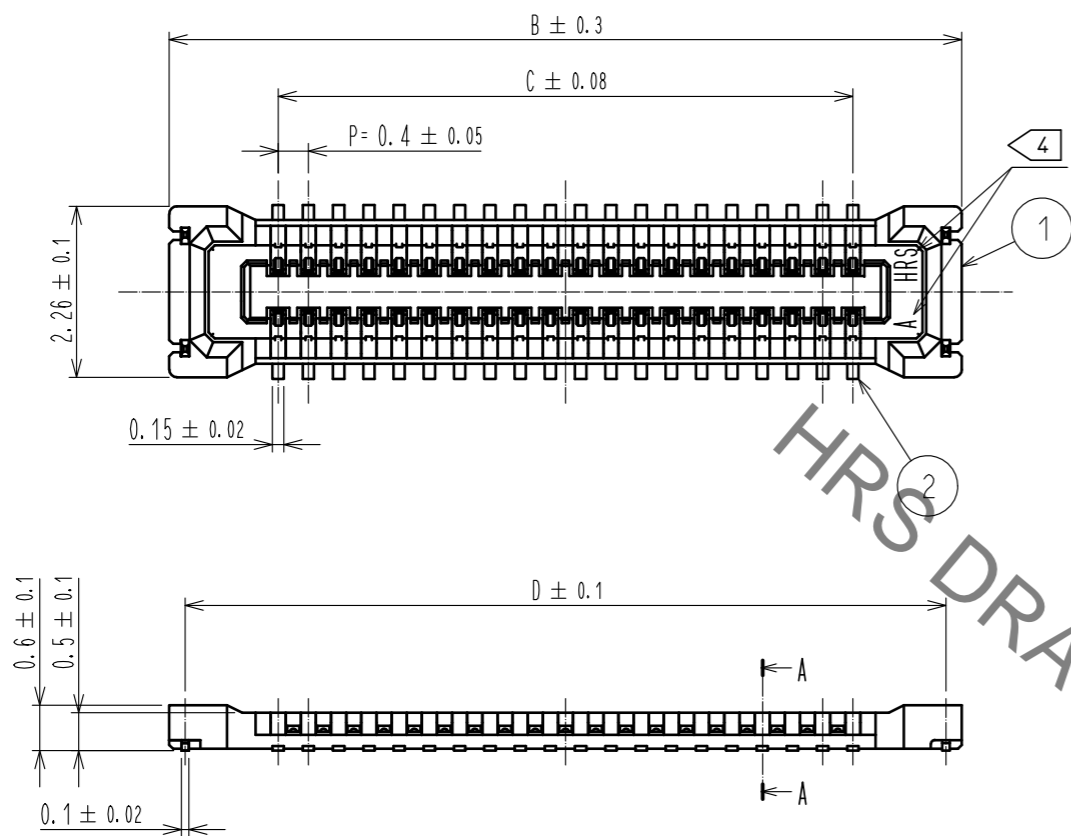
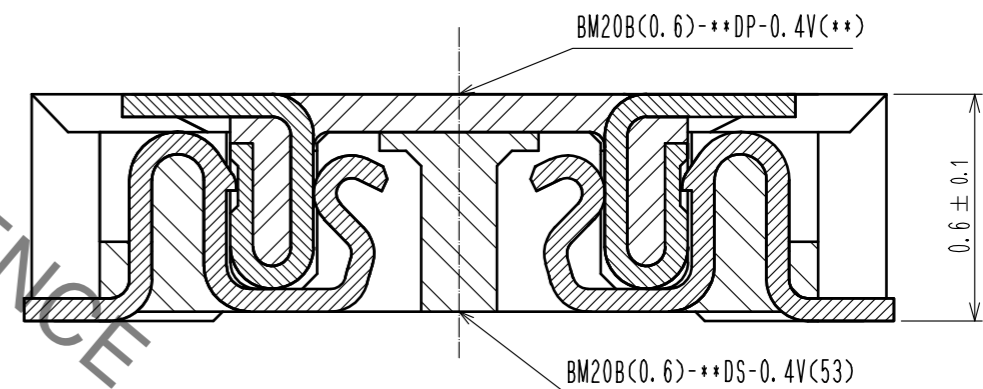


Aug.1.2021 Copyright 2021 HIROSE ELECTRIC CO., LTD. All Rights Reserved.  
In case of consideration for using Automotive equipment / device which demand high reliability, kindly contact our sales window correspondents.



ENGAGEMENT FIGURE (50:1)



| PART No.                 | CODE No.         | B     | C   | D     |
|--------------------------|------------------|-------|-----|-------|
| BM20B(0.6)-10DS-0.4V(53) | CL0684-9308-8-53 | 4.48  | 1.6 | 4.06  |
| BM20B(0.6)-20DS-0.4V(53) | CL0684-9309-0-53 | 6.48  | 3.6 | 6.06  |
| BM20B(0.6)-24DS-0.4V(53) | CL0684-9310-0-53 | 7.28  | 4.4 | 6.86  |
| BM20B(0.6)-30DS-0.4V(53) | CL0684-9311-2-53 | 8.48  | 5.6 | 8.06  |
| BM20B(0.6)-34DS-0.4V(53) | CL0684-9312-5-53 | 9.28  | 6.4 | 8.86  |
| BM20B(0.6)-40DS-0.4V(53) | CL0684-9313-8-53 | 10.48 | 7.6 | 10.06 |
| BM20B(0.6)-50DS-0.4V(53) | CL0684-9314-0-53 | 12.48 | 9.6 | 12.06 |

- NOTE 1. ALL LEAD CO-PLANARITY SHALL BE 0.08mm MAX
2. CONTACT PLATING SPECIFICATIONS  
 CONTACT AREA : GOLD 0.05 μm MIN  
 SMT LEAD : GOLD 0.05 μm MIN  
 UNDERPLATING : NICKEL 1 μm MIN  
 ( SURFACE : SEALING )
3. METAL FITTING PLATING SPECIFICATIONS  
 SMT LEAD : GOLD 0.05 μm MIN  
 UNDERPLATING : NICKEL 1 μm MIN  
 ( SURFACE : SEALING )
4. HRS MARK AND CAV NO. ARE INDICATED IN APPROX POSITION SHOWN.
5. GATE POSITION IS INDICATED IN APPROX. POSITION SHOWN.

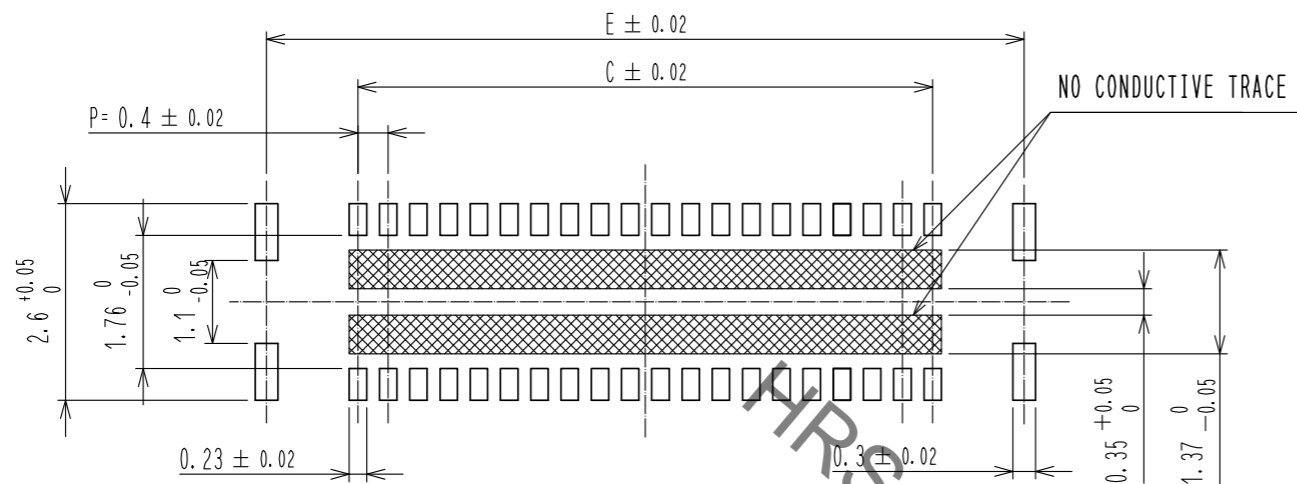
| NO. | MATERIAL        | FINISH . REMARKS              | NO. | MATERIAL  | FINISH . REMARKS             |
|-----|-----------------|-------------------------------|-----|-----------|------------------------------|
| 4   | PS              | CLEAR (EMBOSSED CARRIER TAPE) | 7   | PS        | CLEAR (REINFORCEMENT COLLAR) |
| 3   | BRASS           | 3                             | 6   | PS        | BLACK (PLASTIC REEL)         |
| 2   | PHOSPHOR BRONZE | 2                             | 5   | POLYESTER | CLEAR (COVER TAPE)           |
| 1   | LCP             | UL94 V-0, BLACK               |     |           |                              |

| UNITS                  | SCALE | COUNT | DESCRIPTION OF REVISIONS | DESIGNED                         | CHECKED | DATE |
|------------------------|-------|-------|--------------------------|----------------------------------|---------|------|
| mm                     | 10:1  | 1     |                          |                                  |         |      |
| APPROVED : MO. ISHIDA  |       |       | 15.04.21                 | DRAWING NO. EDC-351136-53-01     |         |      |
| CHECKED : TS. MIYAZAKI |       |       | 15.04.21                 | PART NO. BM20B(0.6)-*DS-0.4V(53) |         |      |
| DESIGNED : RT. SHIMIZU |       |       | 15.04.21                 | CODE NO. CL684                   |         |      |
| DRAWN : KR. AJITO      |       |       | 15.04.10                 |                                  |         |      |

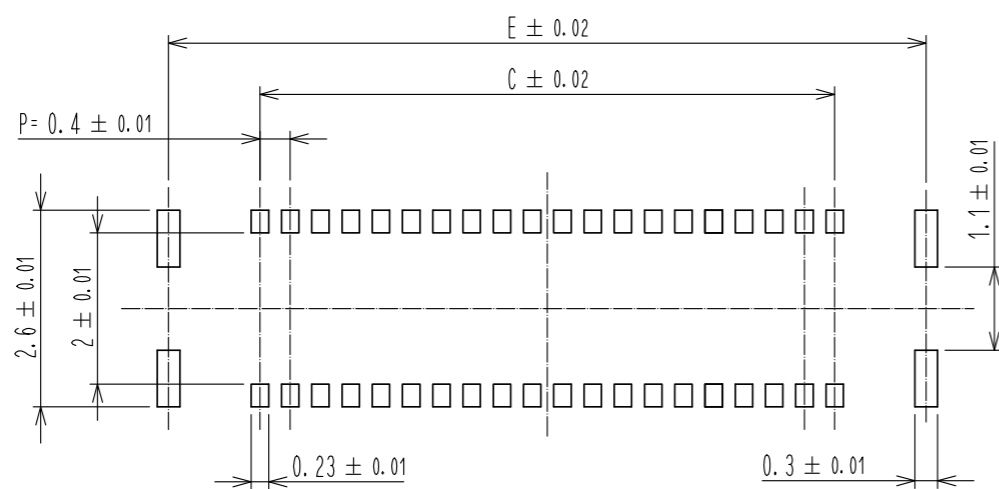
Aug.1.2021 Copyright 2021 HIROSE ELECTRIC CO., LTD. All Rights Reserved.  
In case of consideration for using Automotive equipment / device which demand high reliability, kindly contact our sales window correspondents.

7 **RECOMMENDED PCB LAYOUT**



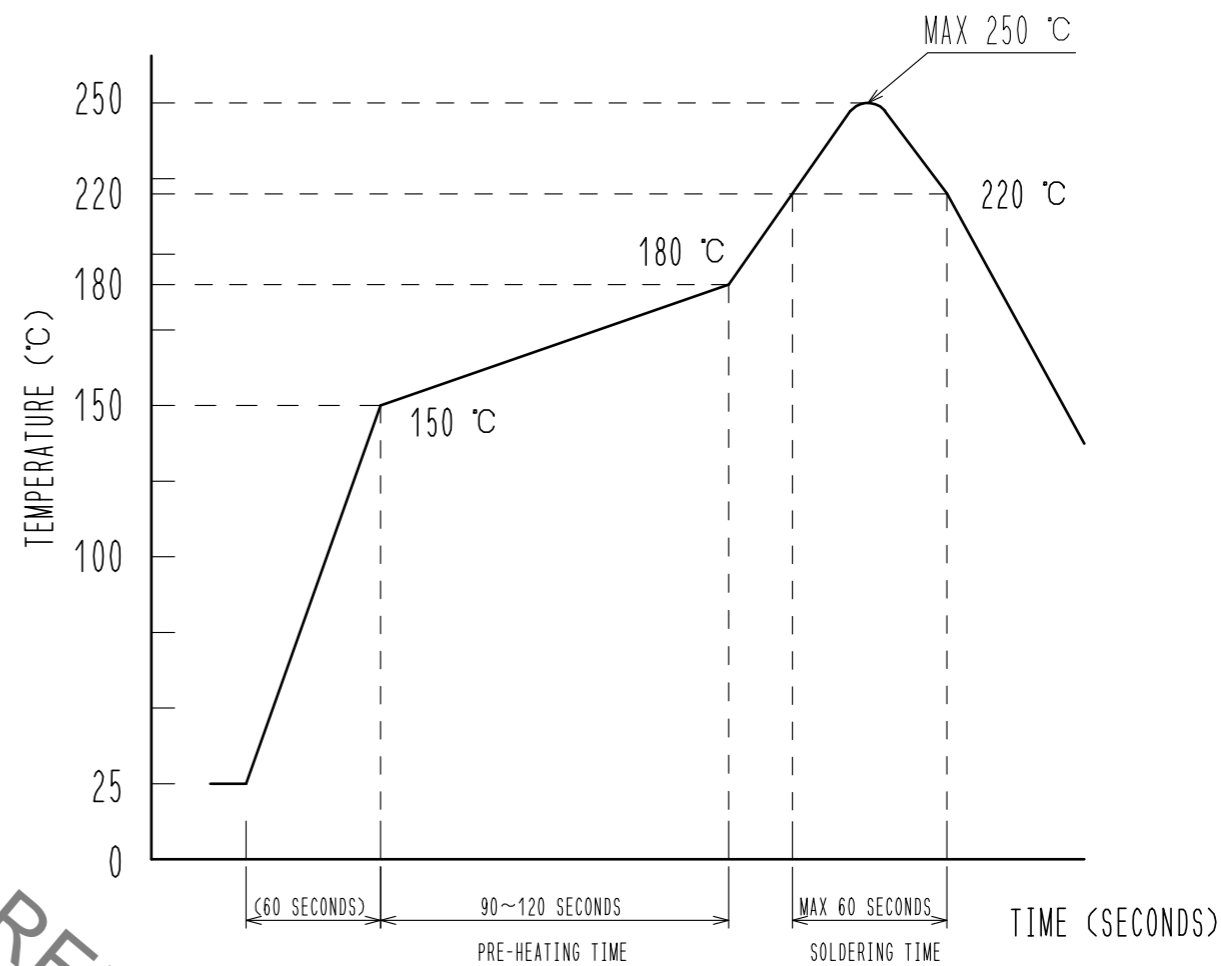
**RECOMMENDED METAL MASK DIMENSIONS**

MATAL MASK THICKNESS : 100  $\mu$ m



| PART No.                 | C   | E     |
|--------------------------|-----|-------|
| BM20B(0.6)-10DS-0.4V(53) | 1.6 | 4.02  |
| BM20B(0.6)-20DS-0.4V(53) | 3.6 | 6.02  |
| BM20B(0.6)-24DS-0.4V(53) | 4.4 | 6.82  |
| BM20B(0.6)-30DS-0.4V(53) | 5.6 | 8.02  |
| BM20B(0.6)-34DS-0.4V(53) | 6.4 | 8.82  |
| BM20B(0.6)-40DS-0.4V(53) | 7.6 | 10.02 |
| BM20B(0.6)-50DS-0.4V(53) | 9.6 | 12.02 |

6 **RECOMMENDED REFLOW TEMPERATURE PROFILE USING LEAD-FREE SOLDER PASTE.**



REFLOW METHOD : IR REFLOW  
NUMBER OF REFLOW CYCLES : 2 CYCLES MAX.  
1) REFLOW TIME  
DURATION ABOVE 220°C, 60 SEC MAX.  
(PEAK TEMPERATURE : 250°C MAX)

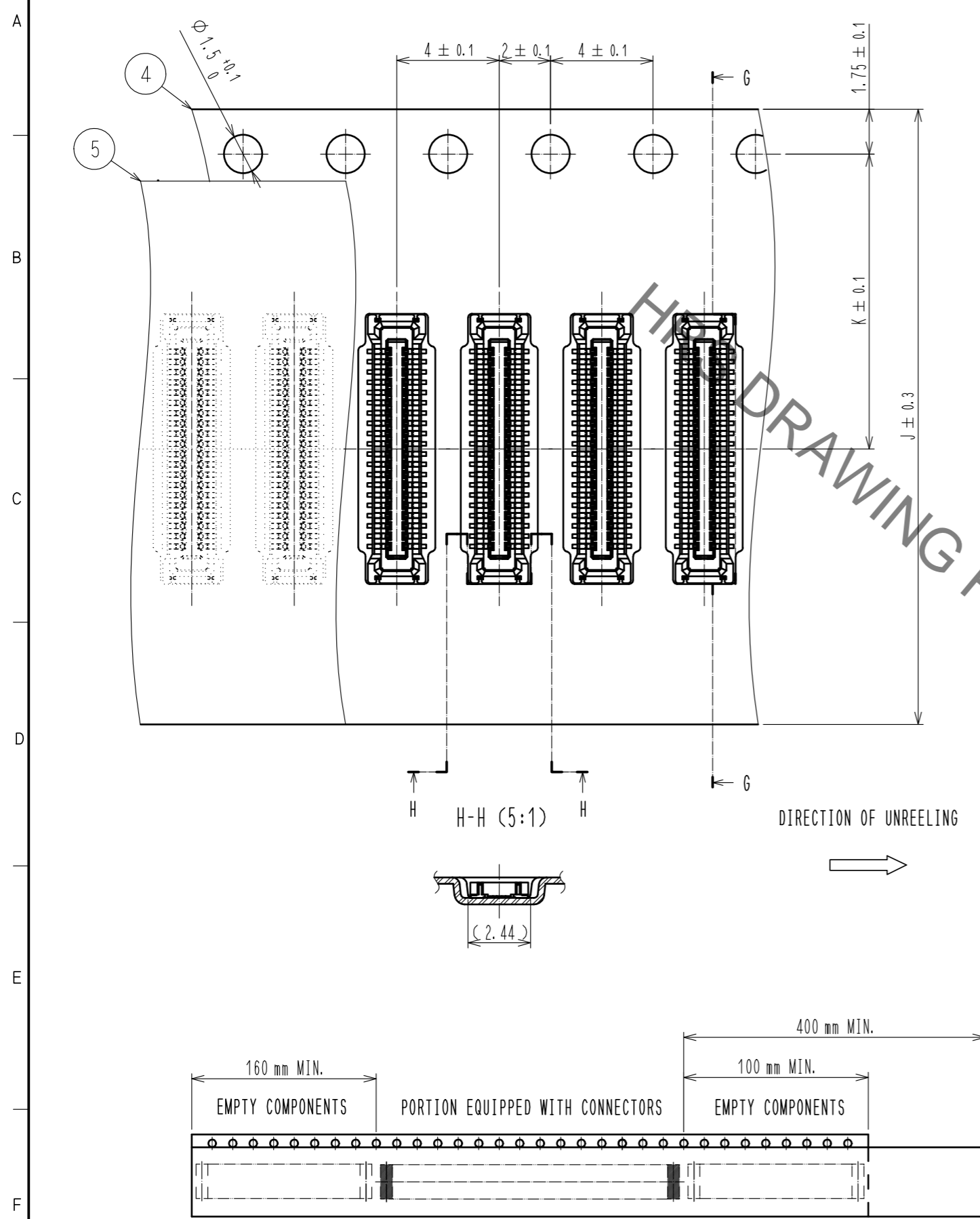
2) PRE-HEAT TIME  
PRE-HEAT TEMPERATURE(MIN): 150°C  
PRE-HEAT TEMPERATURE(MAX): 180°C  
PRE-HEAT TIME: 90-120 SEC.

- 6 THE TEMPERATURE PROFILE IS PER THE CONDITIONS SHOWN ABOVE. ADDITIONAL FACTORS, SUCH AS SOLDER PASTE TYPE, PCB SIZE AND OTHER MOUNTED COMPONENTS COULD AFFECT THE PROFILE. THEREFORE, A THOROUGH EVALUATION OF MOUNTING CONDITION IS REQUIRED PRIOR TO PRODUCTION. TEMPERATURE IS MEASURED AT CONTACT LEAD.
- 7 PLEASE CONTACT US IN CASE YOU WILL MAKE DIFFERENT SETTINGS FROM OUR RECOMMENDATION.

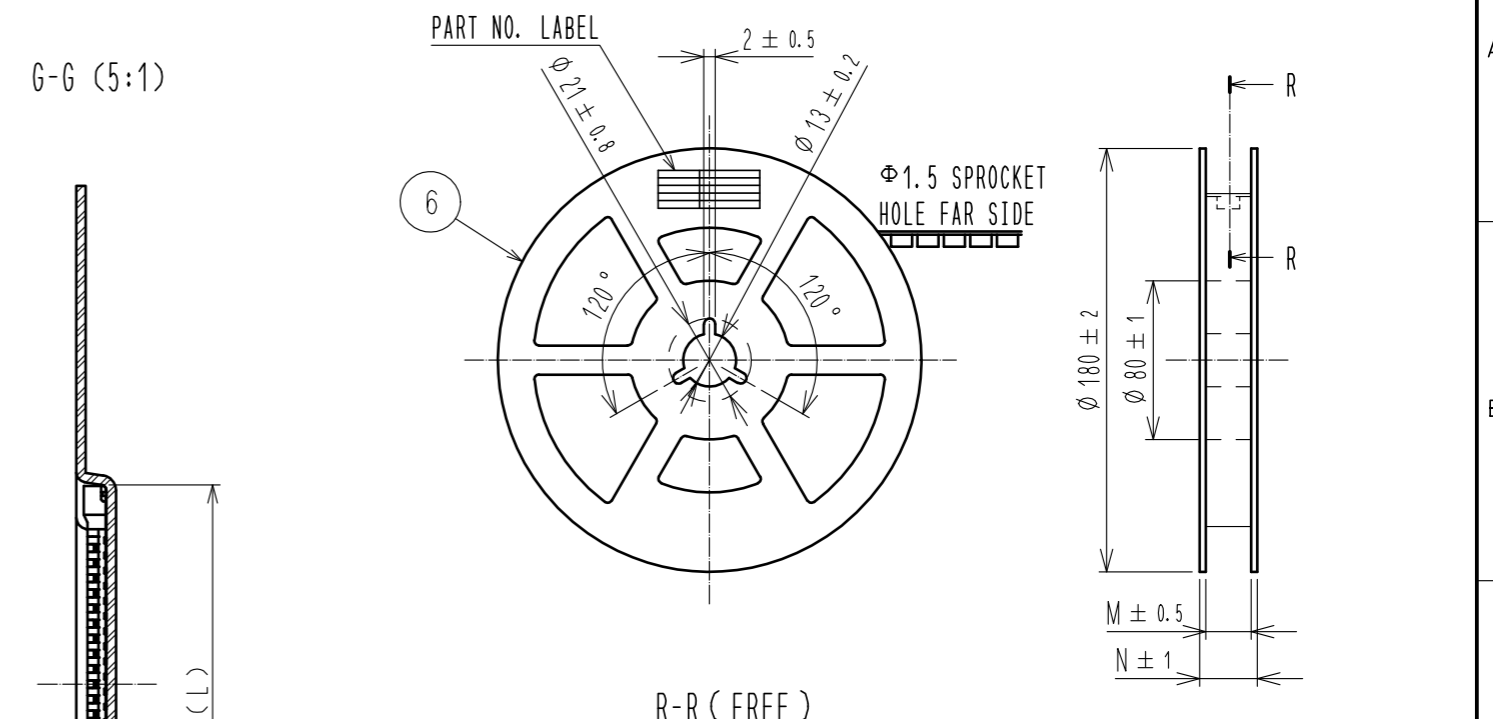
|            |             |                         |
|------------|-------------|-------------------------|
| <b>HRS</b> | DRAWING NO. | EDC-351136-53-01        |
|            | PART NO.    | BM20B(0.6)-*DS-0.4V(53) |
|            | CODE NO.    | CL684                   |

Aug.1.2021 Copyright 2021 HIROSE ELECTRIC CO., LTD. All Rights Reserved.  
In case of consideration for using Automotive equipment / device which demand high reliability, kindly contact our sales window correspondents.

### EMBOSED CARRIER TAPE PACKAGING (5:1)



### STYLE AND DIMENTION OF REEL (FREE)



### DETAIL OF PART NO. LABEL

|       |                         |                      |
|-------|-------------------------|----------------------|
| 製造年月日 | ** ** *                 | DATA OF MANUFACTURED |
| 製品コード | CL0684-****-**- (53)    | CODE NO.             |
| 製品名   | BM20B(0.6)-*DS-0.4V(53) | PART NO.             |
| 数量    | 1,000                   | QUANTITY             |
| 納入者   | ヒロセ電機(株)                | SUPPLIER             |

| PART No.                 | J  | K    | L     | M    | N    |
|--------------------------|----|------|-------|------|------|
| BM20B(0.6)-10DS-0.4V(53) | 16 | 7.5  | 4.54  | 17.5 | 21.5 |
| BM20B(0.6)-20DS-0.4V(53) | 16 | 7.5  | 6.54  | 17.5 | 21.5 |
| BM20B(0.6)-24DS-0.4V(53) | 16 | 7.5  | 7.34  | 17.5 | 21.5 |
| BM20B(0.6)-30DS-0.4V(53) | 24 | 11.5 | 8.54  | 25.5 | 29.5 |
| BM20B(0.6)-34DS-0.4V(53) | 24 | 11.5 | 9.34  | 25.5 | 29.5 |
| BM20B(0.6)-40DS-0.4V(53) | 24 | 11.5 | 10.54 | 25.5 | 29.5 |
| BM20B(0.6)-50DS-0.4V(53) | 24 | 11.5 | 12.54 | 25.5 | 29.5 |

- 8 . PER REEL 1,000 CONNECTORS.
- 9 . THE DIMENSIONS IN PARENTHESES ARE FOR REFERENCE.
- 10 . REFER TO JIS C 0806, IEC 60286-3(PACKAGING OF COMPONENTS FOR AUTOMATIC HANDLING)
- 11 . AFTER PACKAGING, ROLL 2 METERS OF THE REINFORCEMENT COLLAR TO OUTER CIRCUMFERENCE OF TAPE AND REEL POCKET. AND TAPE DOWN AT THE END THE COLLAR.

|            |             |                         |
|------------|-------------|-------------------------|
| <b>HRS</b> | DRAWING NO. | EDC-351136-53-01        |
|            | PART NO.    | BM20B(0.6)-*DS-0.4V(53) |
|            | CODE NO.    | CL684                   |

## X-ON Electronics

Largest Supplier of Electrical and Electronic Components

*Click to view similar products for [Board to Board & Mezzanine Connectors](#) category:*

*Click to view products by [Hirose](#) manufacturer:*

Other Similar products are found below :

[589158040000018](#) [MDF7C-18P-2.54DSA\(55\)](#) [FCN-230C068-11](#) [FCN-268F012-G/BD](#) [FCN-268F036-G/BD](#) [FCN-268M012-G/0D](#) [FCN-268M024-G/1D](#) [FCN-723J004/1](#) [MIS-048-01-F-D-DP-K](#) [832-10-034-10-001000](#) [FX4C-80S-1.27DSA](#) [FCN-214Q030-G/0](#) [FCN-234P048-G/0](#) [FCN-235D050-G/C](#) [210-93-314-41-105000](#) [2-22603-0](#) [MDF7-40DP-2.54DSA\(55\)](#) [AXG720047](#) [MIT-114-03-F-D-K](#) [55323-1519](#) [DF33-2P-3.3DSA\(24\)](#) [YFT-20-05-H-03-SB-K](#) [503308-3040](#) [026-6203-PDB](#) [027-6203-PDB](#) [069159702701000](#) [10123981-102LF](#) [101A10019X](#) [55650-0588-C](#) [68682-310LF](#) [68684-306](#) [75140-7012](#) [87471-650](#) [YTW-30-07-H-Q-410-140](#) [FCN-268F024-G0D](#) [10124054-515LF](#) [68685-603](#) [8-1616154-3](#) [MIS-019-01-F-D](#) [FCN-268M024-G/3D](#) [FCN-268M036-G/BD](#) [20021832-06016C1LF](#) [KX15-20KLDL-E1000E](#) [AXE810124](#) [FCN-214J100-G/0](#) [FCN-230C068-E/S](#) [AXE812124](#) [AXE816124](#) [AXE720127](#) [354184](#)