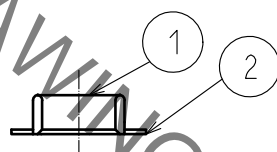
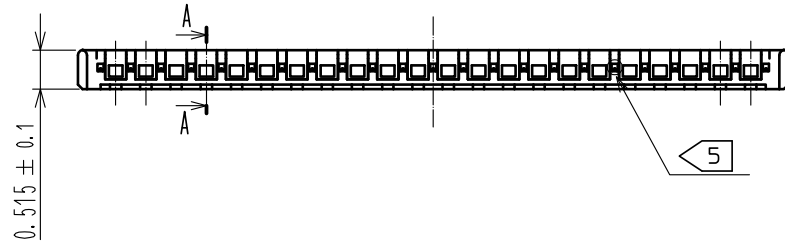
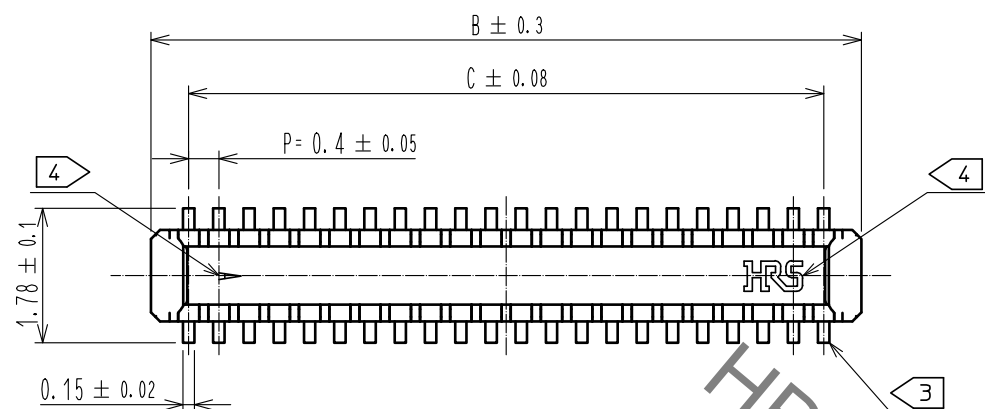
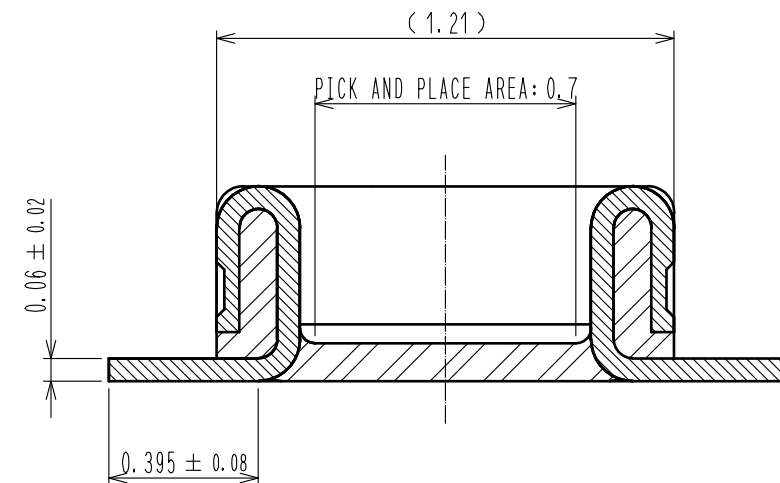


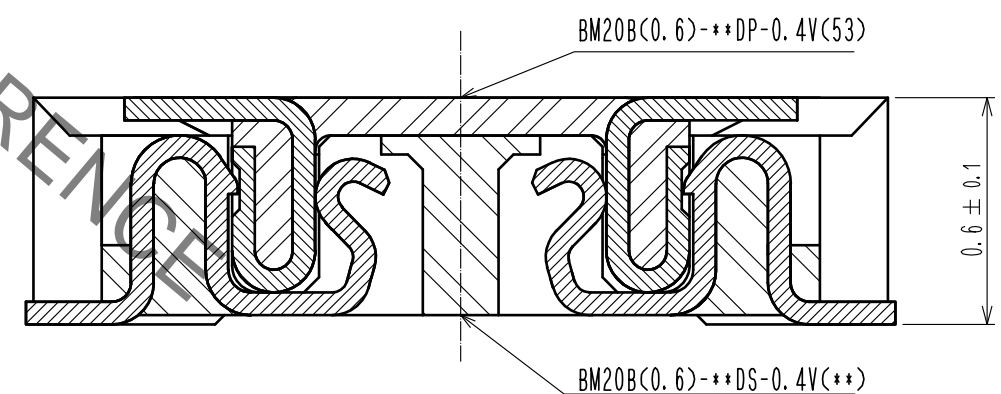
Aug.1.2021 Copyright 2021 HIROSE ELECTRIC CO., LTD. All Rights Reserved.
In case of consideration for using Automotive equipment / device which demand high reliability, kindly contact our sales window correspondents.



A-A (50:1)



ENGAGEMENT FIGURE (50:1)



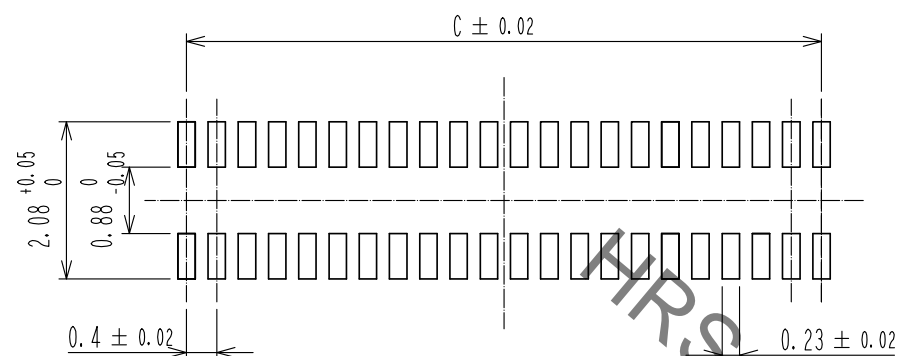
PART No.	CODE No.	B	C
BM20B(0.6)-10DP-0.4V(53)	CL0684-9300-6-53	3.4	2.4
BM20B(0.6)-20DP-0.4V(53)	CL0684-9301-9-53	5.4	4.4
BM20B(0.6)-24DP-0.4V(53)	CL0684-9302-1-53	6.2	5.2
BM20B(0.6)-30DP-0.4V(53)	CL0684-9303-4-53	7.4	6.4
BM20B(0.6)-34DP-0.4V(53)	CL0684-9304-7-53	8.2	7.2
BM20B(0.6)-40DP-0.4V(53)	CL0684-9305-0-53	9.4	8.4
BM20B(0.6)-50DP-0.4V(53)	CL0684-9306-2-53	11.4	10.4

- NOTE 1 . ALL LEAD CO-PLANARITY SHALL BE 0.08mm MAX
- 2 CONTACT PLATING SPECIFICATIONS
CONTACT AREA : GOLD 0.05 μm MIN
SMT LEAD : GOLD 0.05 μm MIN
UNDER PLATING : NICKEL 1 μm MIN
(SURFACE : SEALING)
 - 3 EACH CONTACTS AT 4 CORNERS ARE PROVIDED FOR METAL FITTINGS.
 - 4 HRS MARK AND CAV No. ARE INDICATED IN APPROX. POSITION SHOWN.
 - 5 A PART OF THE WALL COULD BE NOTCHED.

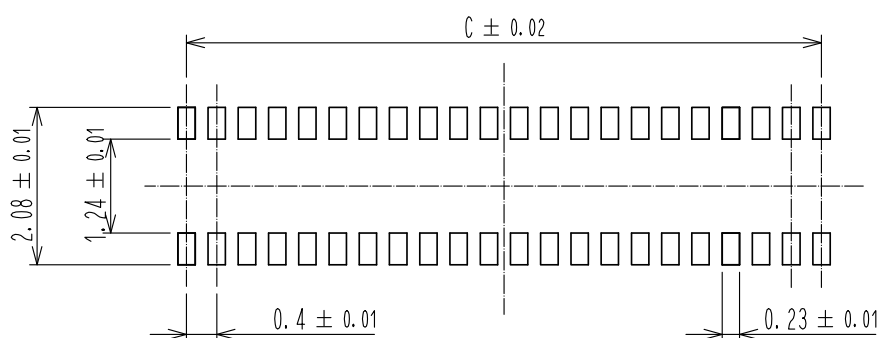
3	PS	CLEAR (EMBOSSD CARRIER TAPE)	6	PS	CLEAR (REINFORCEMENT COLLAR)			
2	PHOSPHOR BRONZE	2	5	PS	BLACK (PLASTIC REEL)			
1	LCP	UL94 V-0, BLACK	4	POLYESTER	CLEAR (COVER TAPE)			
NO.	MATERIAL	FINISH . REMARKS	NO.	MATERIAL	FINISH . REMARKS			
UNITS	mm	SCALE	10 : 1	COUNT	DESCRIPTION OF REVISIONS	DESIGNED	CHECKED	DATE
APPROVED : MO. ISHIDA		15.04.21	DRAWING NO.		EDC-351137-53-01			
CHECKED : TS. MIYAZAKI		15.04.21	PART NO.		BM20B(0.6)-*DP-0.4V(53)			
DESIGNED : RT. SHIMIZU		15.04.21	CODE NO.		CL684			
DRAWN : KR. AJITO		15.04.10	NO.		1/3			

Aug.1.2021 Copyright 2021 HIROSE ELECTRIC CO., LTD. All Rights Reserved.
In case of consideration for using Automotive equipment / device which demand high reliability, kindly contact our sales window correspondents.

7 RECOMMENDED PCB LAYOUT

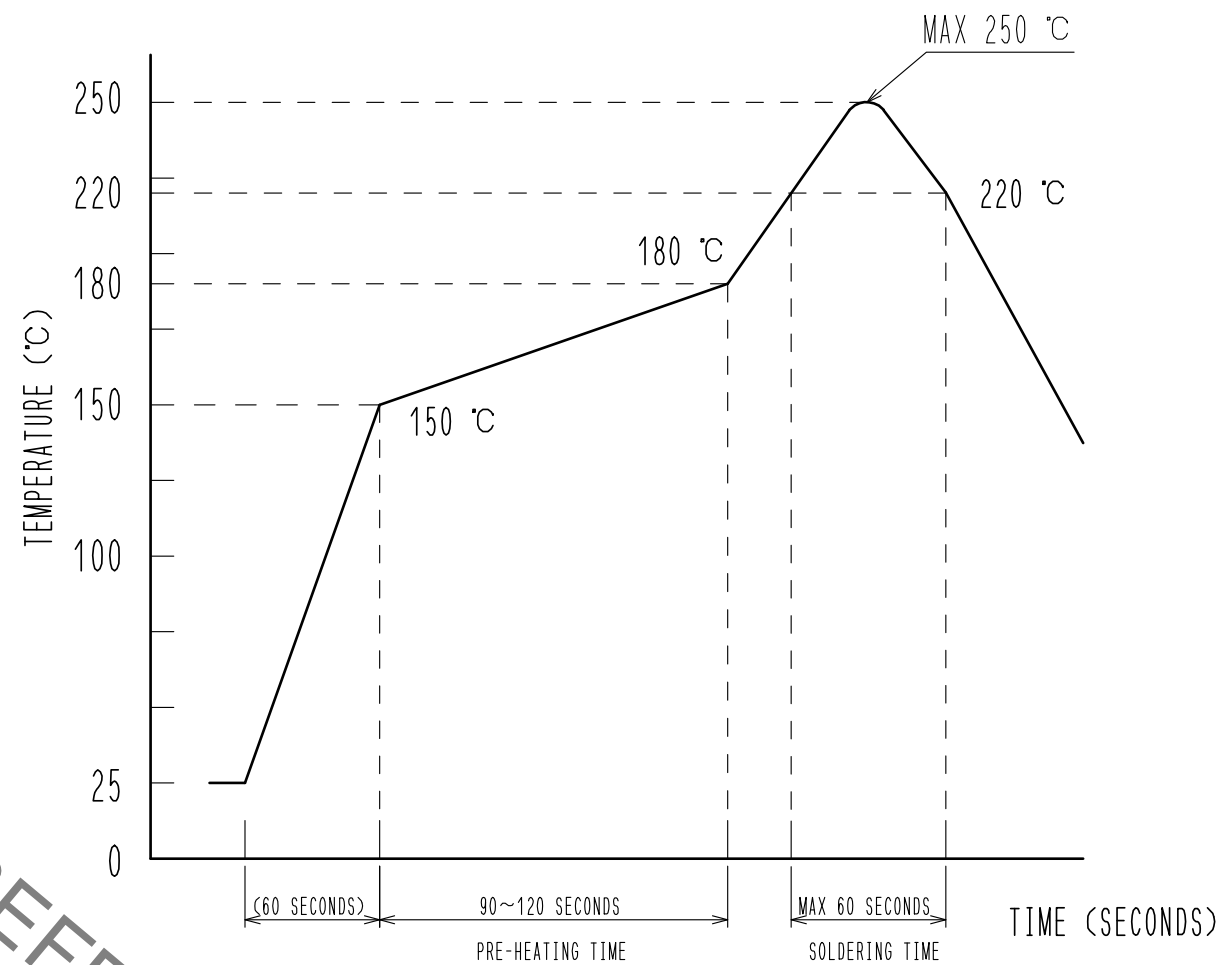


RECOMMENDED METAL MASK DIMENSIONS
METAL MASK THICKNESS : 100 μm



PART No.	C
BM20B(0.6)-10DP-0.4V(53)	2.4
BM20B(0.6)-20DP-0.4V(53)	4.4
BM20B(0.6)-24DP-0.4V(53)	5.2
BM20B(0.6)-30DP-0.4V(53)	6.4
BM20B(0.6)-34DP-0.4V(53)	7.2
BM20B(0.6)-40DP-0.4V(53)	8.4
BM20B(0.6)-50DP-0.4V(53)	10.4

6 RECOMMENDED REFLOW TEMPERATURE PROFILE USING LEAD-FREE SOLDER PASTE.



REFLOW METHOD: IR REFLOW
 NUMBER OF REFLOW CYCLES: 2 CYCLES MAX.
 1) REFLOW TIME
 DURATION ABOVE 220°C, 60 SEC MAX.
 (PEAK TEMPERATURE: 250°C MAX)
 2) PRE-HEAT TIME
 PRE-HEAT TEMPERATURE(MIN): 150°C
 PRE-HEAT TEMPERATURE(MAX): 180°C
 PRE-HEAT TIME: 90-120 SEC.

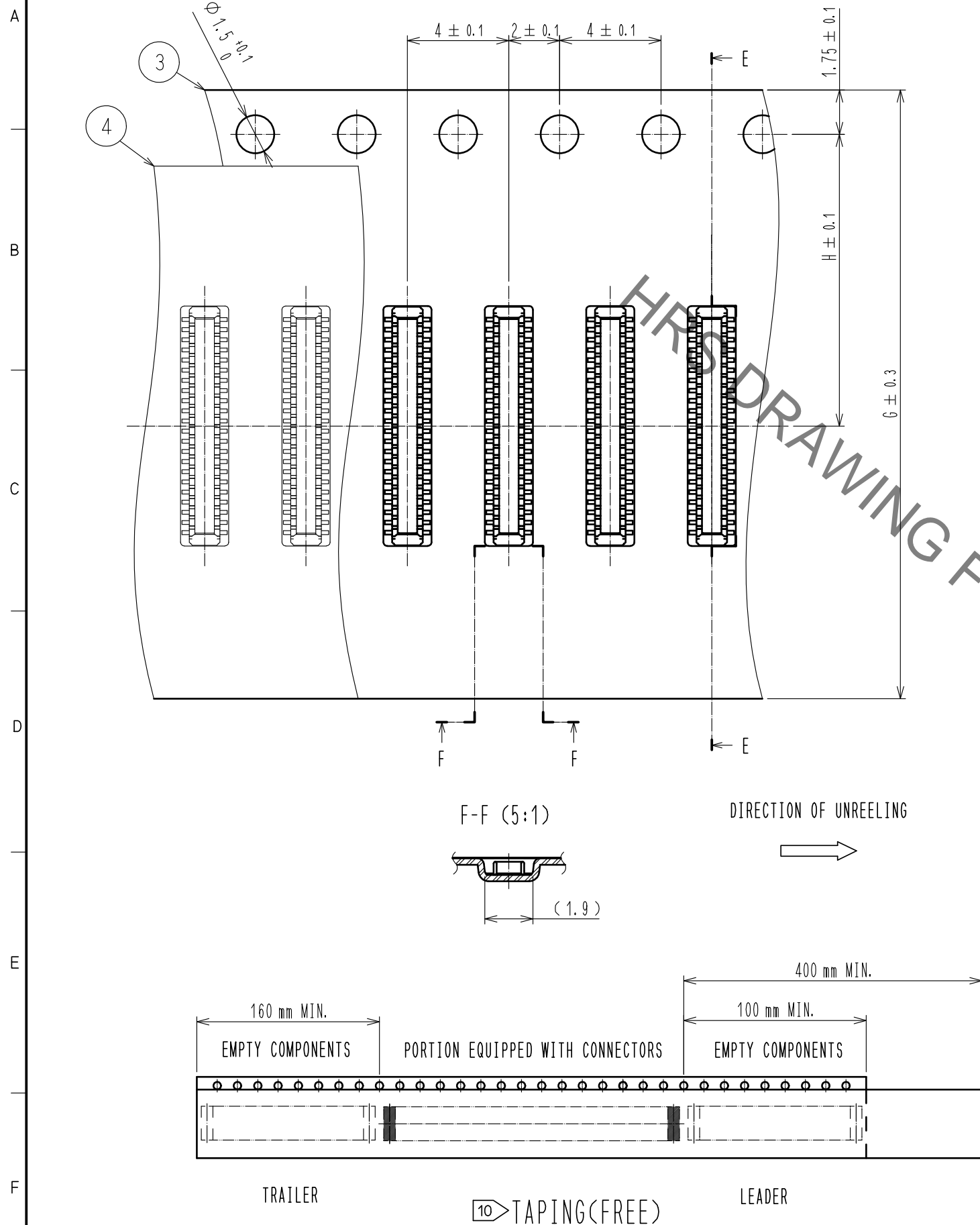
- 6 THIS TEMPERATURE PROFILE IS PER THE CONDITIONS SHOWN ABOVE. ADDITIONAL FACTORS, SUCH AS SOLDER PASTE TYPE, PCB SIZE AND OTHER MOUNTED COMPONENTS COULD AFFECT THE PROFILE, THEREFORE, A THOROUGH EVALUATION OF MOUNTING COONDITION IS REQUIRED PRIOR TO PRODUCTION. TEPERATURE IS MEASURED AT CONTACT LEAD.
- 7 PLEASE CONTACT US IN CASE YOU WILL MAKE DIFFERENT SETTINGS FROM OUR RECOMMENDATION.

HRS	DRAWING NO.	EDC-351137-53-01
	PART NO.	BM20B(0.6)-*DP-0.4V(53)
	CODE NO.	CL684

Aug.1.2021 Copyright 2021 HIROSE ELECTRIC CO., LTD. All Rights Reserved.
In case of consideration for using Automotive equipment / device which demand high reliability, kindly contact our sales window correspondents.

EMBOSSED CARRIER TAPE PACKAGING (5:1)

STYLE AND DIMENTION OF REEL (FREE)

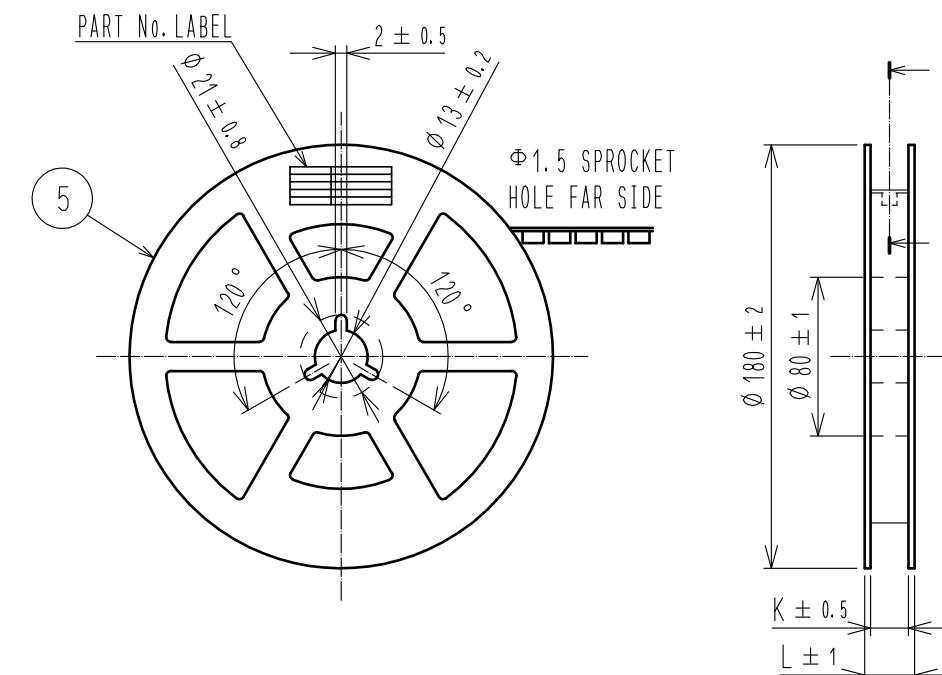


E-E (5:1)

F-F (5:1)

DIRECTION OF UNREELING →

10 TAPING (FREE)



M-M (FREE)

DETAIL OF PART No. LABEL

製造年月日	** ** *	DATE OF MANUFACTURED
製品コード	CL0684-****-(53)	CODE No.
製品名	BM20B(0.6)-*DP-0.4V(53)	PART No.
数量	1,000	QUANTITY
納入者	ヒロセ電機(株)	SUPPLIER

PART No.	G	H	J	K	L
BM20B(0.6)-10DP-0.4V(53)	12	5.5	3.46	13.5	17.5
BM20B(0.6)-20DP-0.4V(53)	16	7.5	5.46	17.5	21.5
BM20B(0.6)-24DP-0.4V(53)	16	7.5	6.26	17.5	21.5
BM20B(0.6)-30DP-0.4V(53)	16	7.5	7.46	17.5	21.5
BM20B(0.6)-34DP-0.4V(53)	24	11.5	8.26	25.5	29.5
BM20B(0.6)-40DP-0.4V(53)	24	11.5	9.46	25.5	29.5
BM20B(0.6)-50DP-0.4V(53)	24	11.5	11.46	25.5	29.5

- 8 . PER REEL 1,000 CONNECTORS.
- 9 . THE DIMENTIONS IN PARENTHESSES ARE FOR REFFERENCE.
- 10 . REFER TO JIS C 0806, IEC-30286-3(PACKAGING OF COMPONENTS FOR AUTOMATIC HANDLING)
- 11 . AFTER PACKAGING, ROLL 2 METERS OF THE REINFORCEMENT COLLAR TO OUTER CIRCUMFERENCE OF TAPE AND REEL POCKET. AND TAPE DOWN AT THE END THE COLLAR.

HRS	DRAWING NO.	EDC-351137-53-01
	PART NO.	BM20B(0.6)-*DP-0.4V(53)
	CODE NO.	CL684

X-ON Electronics

Largest Supplier of Electrical and Electronic Components

Click to view similar products for [Board to Board & Mezzanine Connectors](#) category:

Click to view products by [Hirose](#) manufacturer:

Other Similar products are found below :

[589158040000018](#) [MDF7C-18P-2.54DSA\(55\)](#) [FCN-230C068-11](#) [FCN-268F012-G/BD](#) [FCN-268F036-G/BD](#) [FCN-268M012-G/0D](#) [FCN-268M024-G/1D](#) [FCN-723J004/1](#) [MIS-048-01-F-D-DP-K](#) [832-10-034-10-001000](#) [FX4C-80S-1.27DSA](#) [FCN-214Q030-G/0](#) [FCN-234P048-G/0](#) [FCN-235D050-G/C](#) [210-93-314-41-105000](#) [2-22603-0](#) [MDF7-40DP-2.54DSA\(55\)](#) [AXG720047](#) [MIT-114-03-F-D-K](#) [55323-1519](#) [DF33-2P-3.3DSA\(24\)](#) [YFT-20-05-H-03-SB-K](#) [503308-3040](#) [026-6203-PDB](#) [027-6203-PDB](#) [069159702701000](#) [10123981-102LF](#) [101A10019X](#) [55650-0588-C](#) [68682-310LF](#) [68684-306](#) [75140-7012](#) [87471-650](#) [YTW-30-07-H-Q-410-140](#) [FCN-268F024-G0D](#) [10124054-515LF](#) [68685-603](#) [8-1616154-3](#) [MIS-019-01-F-D](#) [FCN-268M024-G/3D](#) [FCN-268M036-G/BD](#) [20021832-06016C1LF](#) [KX15-20KLDL-E1000E](#) [AXE810124](#) [FCN-214J100-G/0](#) [FCN-230C068-E/S](#) [AXE812124](#) [AXE816124](#) [AXE720127](#) [354184](#)