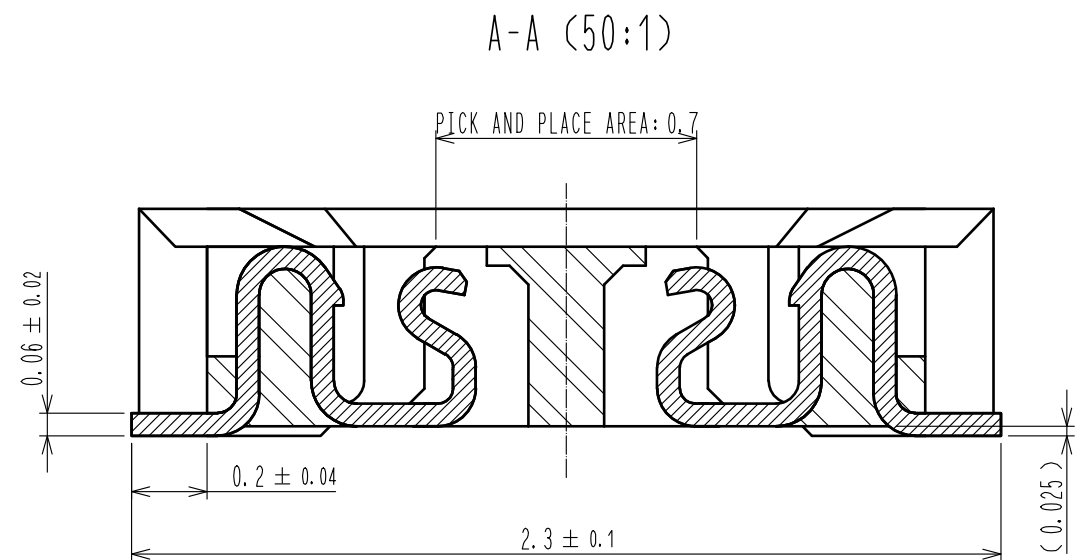
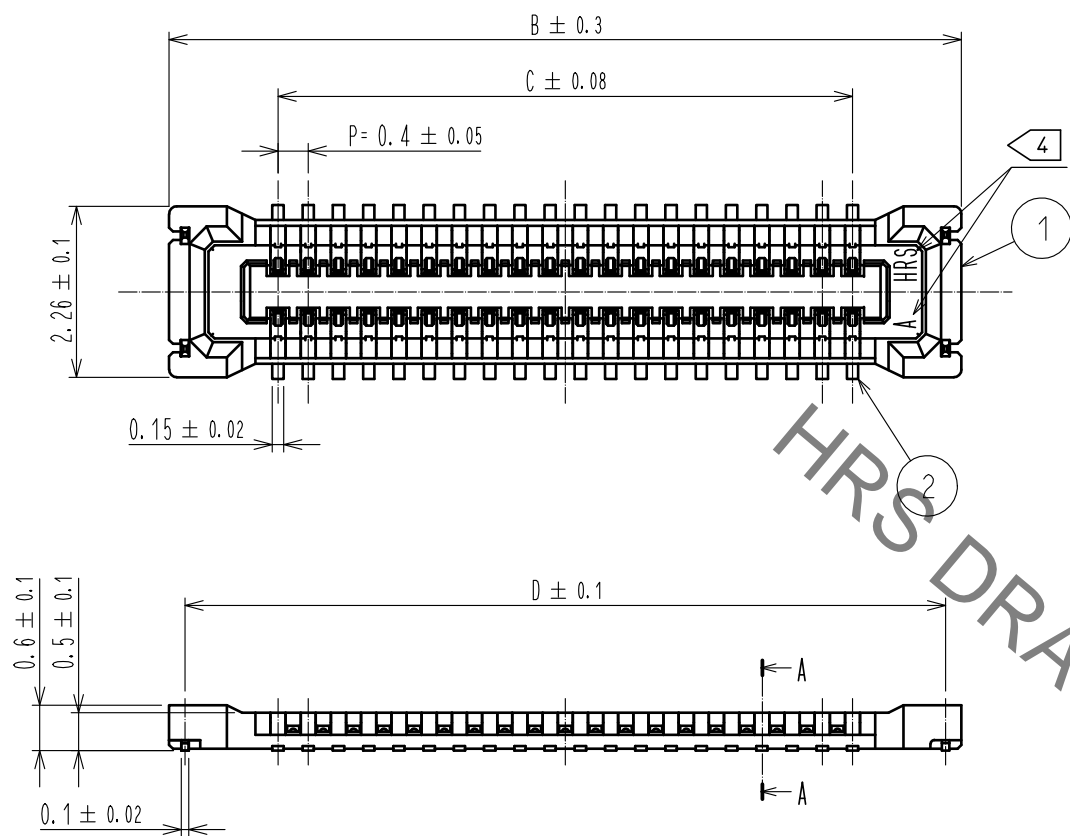
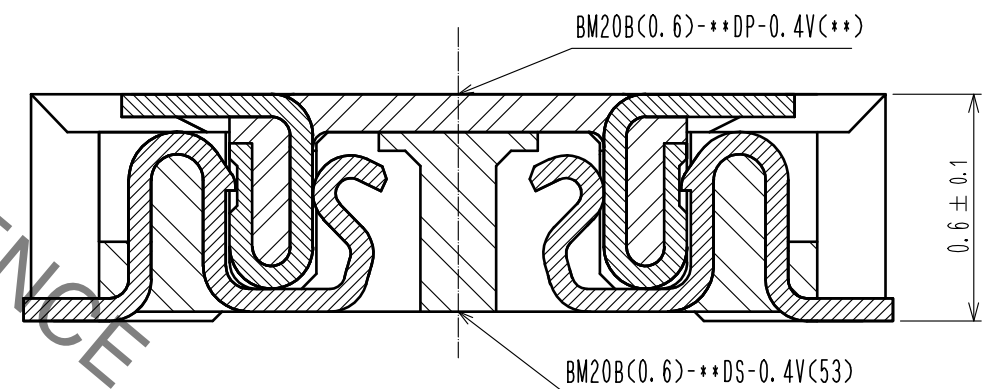


Aug.1.2021 Copyright 2021 HIROSE ELECTRIC CO., LTD. All Rights Reserved.
In case of consideration for using Automotive equipment / device which demand high reliability, kindly contact our sales window correspondents.



ENGAGEMENT FIGURE (50:1)



PART No.	CODE No.	B	C	D
BM20B(0.6)-10DS-0.4V(53)	CL0684-9308-8-53	4.48	1.6	4.06
BM20B(0.6)-20DS-0.4V(53)	CL0684-9309-0-53	6.48	3.6	6.06
BM20B(0.6)-24DS-0.4V(53)	CL0684-9310-0-53	7.28	4.4	6.86
BM20B(0.6)-30DS-0.4V(53)	CL0684-9311-2-53	8.48	5.6	8.06
BM20B(0.6)-34DS-0.4V(53)	CL0684-9312-5-53	9.28	6.4	8.86
BM20B(0.6)-40DS-0.4V(53)	CL0684-9313-8-53	10.48	7.6	10.06
BM20B(0.6)-50DS-0.4V(53)	CL0684-9314-0-53	12.48	9.6	12.06

NOTE 1. ALL LEAD CO-PLANARITY SHALL BE 0.08mm MAX

2. CONTACT PLATING SPECIFICATIONS
 CONTACT AREA : GOLD 0.05 μm MIN
 SMT LEAD : GOLD 0.05 μm MIN
 UNDERPLATING : NICKEL 1 μm MIN
 (SURFACE : SEALING)

3. METAL FITTING PLATING SPECIFICATIONS
 SMT LEAD : GOLD 0.05 μm MIN
 UNDERPLATING : NICKEL 1 μm MIN
 (SURFACE : SEALING)

4. HRS MARK AND CAV NO. ARE INDICATED IN APPROX POSITION SHOWN.

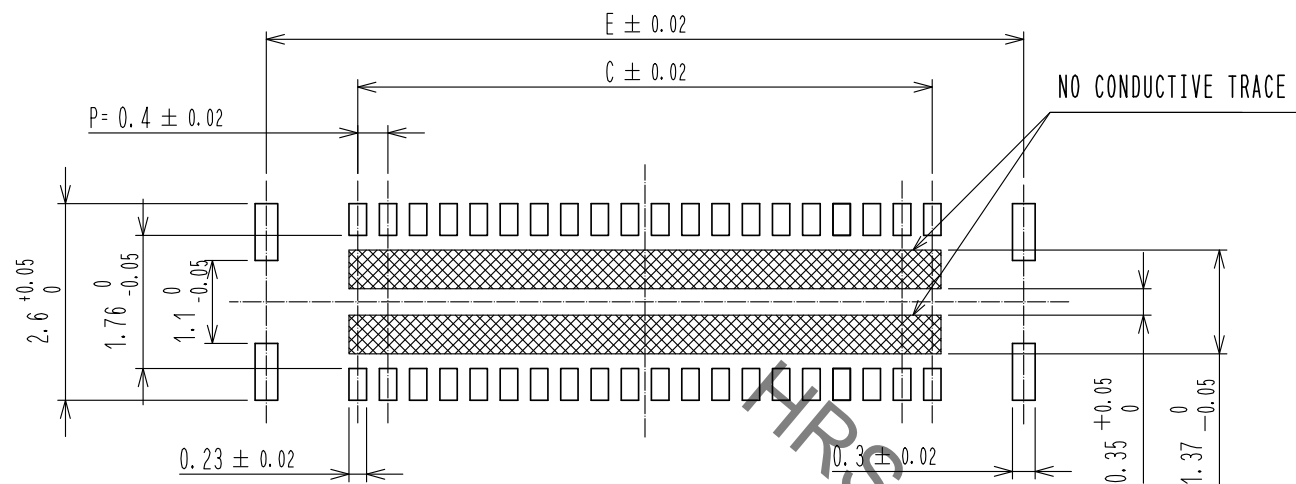
5. GATE POSITION IS INDICATED IN APPROX. POSITION SHOWN.

NO.	MATERIAL	FINISH . REMARKS	NO.	MATERIAL	FINISH . REMARKS
4	PS	CLEAR (EMBOSSED CARRIER TAPE)	7	PS	CLEAR (REINFORCEMENT COLLAR)
3	BRASS	3	6	PS	BLACK (PLASTIC REEL)
2	PHOSPHOR BRONZE	2	5	POLYESTER	CLEAR (COVER TAPE)
1	LCP	UL94 V-0, BLACK			

UNITS	SCALE	COUNT	DESCRIPTION OF REVISIONS	DESIGNED	CHECKED	DATE
mm	10:1	△				
APPROVED : MO. ISHIDA			15.04.21	DRAWING NO. EDC-351136-53-01		
CHECKED : TS. MIYAZAKI			15.04.21	PART NO. BM20B(0.6)-*DS-0.4V(53)		
DESIGNED : RT. SHIMIZU			15.04.21	CODE NO. CL684		
DRAWN : KR. AJITO			15.04.10	1/3		

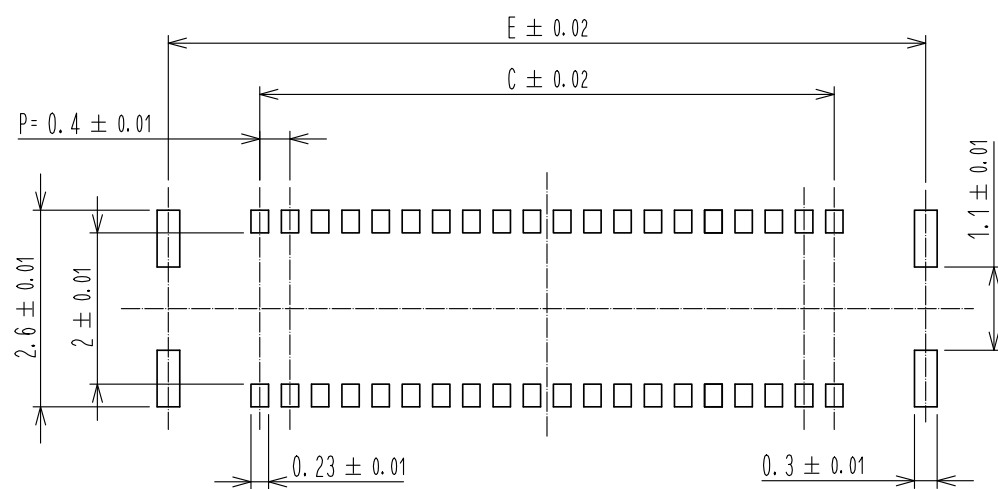
Aug.1.2021 Copyright 2021 HIROSE ELECTRIC CO., LTD. All Rights Reserved.
In case of consideration for using Automotive equipment / device which demand high reliability, kindly contact our sales window correspondents.

7 **RECOMMENDED PCB LAYOUT**



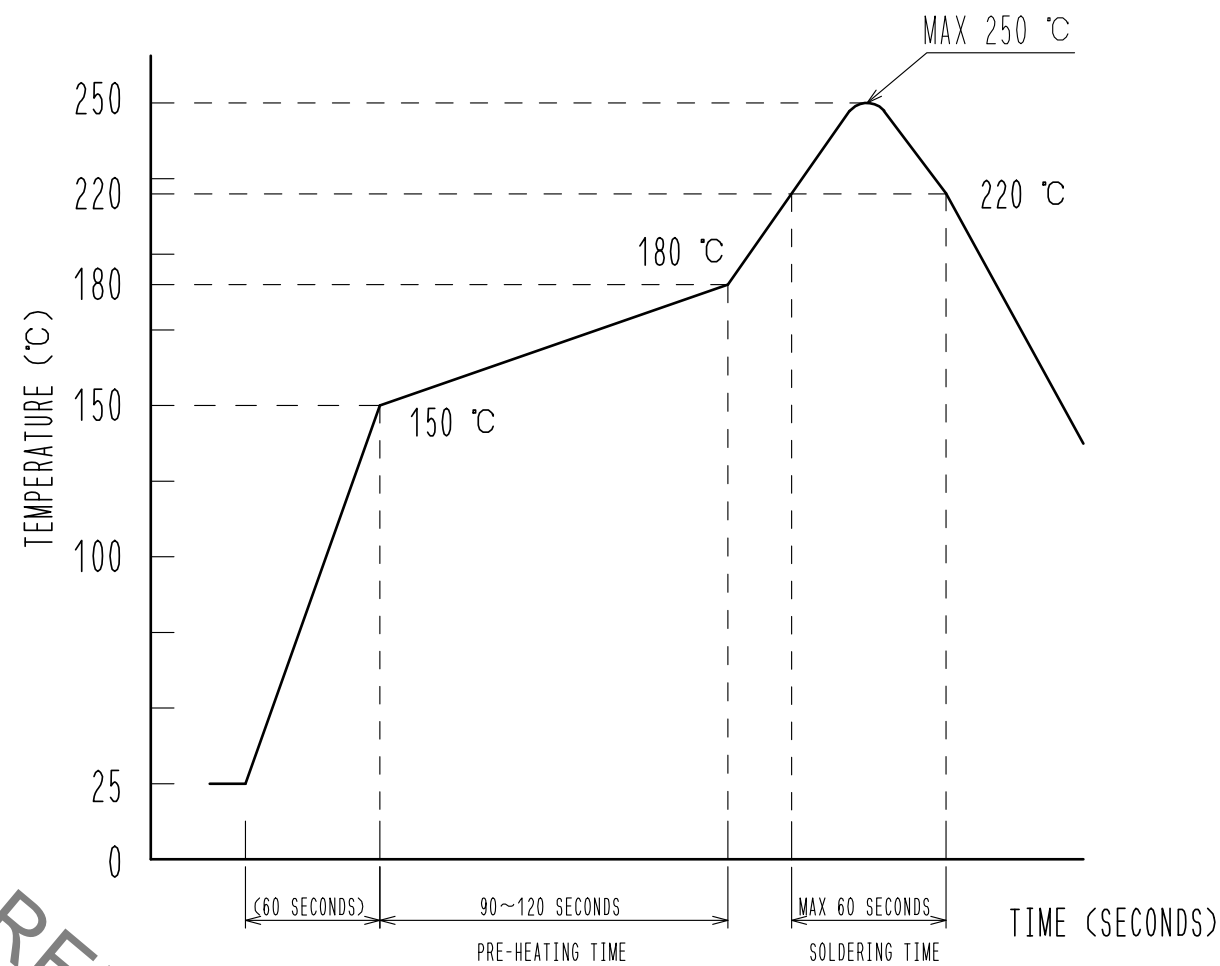
8 **RECOMMENDED METAL MASK DIMENSIONS**

MATAL MASK THICKNESS : 100 μ m



PART No.	C	E
BM20B(0.6)-10DS-0.4V(53)	1.6	4.02
BM20B(0.6)-20DS-0.4V(53)	3.6	6.02
BM20B(0.6)-24DS-0.4V(53)	4.4	6.82
BM20B(0.6)-30DS-0.4V(53)	5.6	8.02
BM20B(0.6)-34DS-0.4V(53)	6.4	8.82
BM20B(0.6)-40DS-0.4V(53)	7.6	10.02
BM20B(0.6)-50DS-0.4V(53)	9.6	12.02

6 **RECOMMENDED REFLOW TEMPERATURE PROFILE USING LEAD-FREE SOLDER PASTE.**



REFLOW METHOD : IR REFLOW
NUMBER OF REFLOW CYCLES : 2 CYCLES MAX.
1) REFLOW TIME
DURATION ABOVE 220°C, 60 SEC MAX.
(PEAK TEMPERATURE : 250°C MAX)

2) PRE-HEAT TIME
PRE-HEAT TEMPERATURE(MIN): 150°C
PRE-HEAT TEMPERATURE(MAX): 180°C
PRE-HEAT TIME: 90-120 SEC.

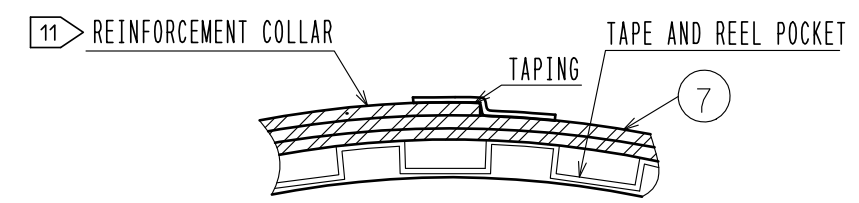
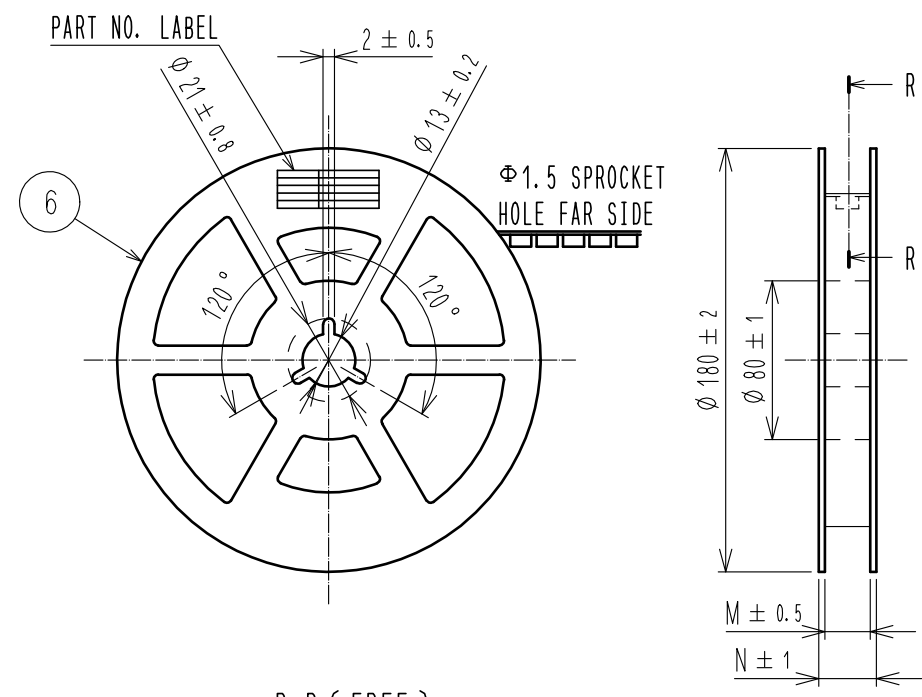
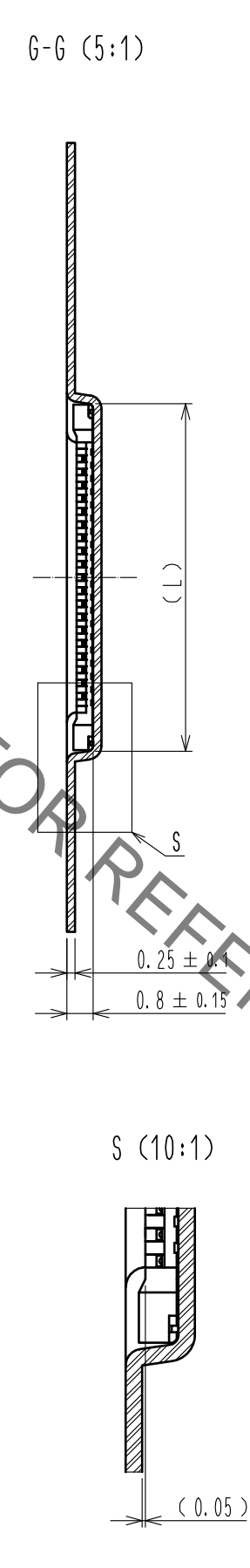
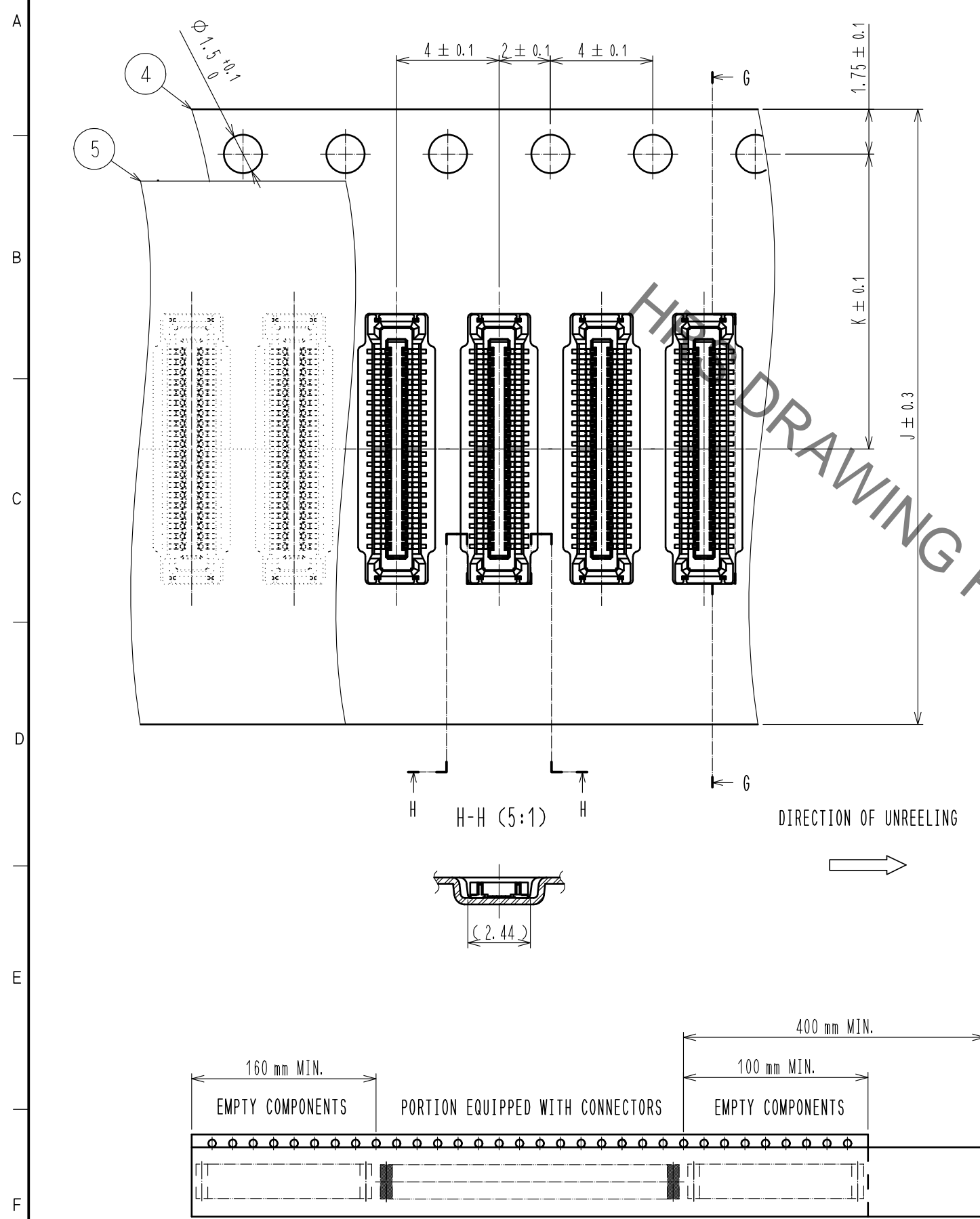
6. THE TEMPERATURE PROFILE IS PER THE CONDITIONS SHOWN ABOVE. ADDITIONAL FACTORS, SUCH AS SOLDER PASTE TYPE, PCB SIZE AND OTHER MOUNTED COMPONENTS COULD AFFECT THE PROFILE. THEREFORE, A THOROUGH EVALUATION OF MOUNTING CONDITION IS REQUIRED PRIOR TO PRODUCTION. TEMPERATURE IS MEASURED AT CONTACT LEAD.
7. PLEASE CONTACT US IN CASE YOU WILL MAKE DIFFERENT SETTINGS FROM OUR RECOMMENDATION.

HRS	DRAWING NO.	EDC-351136-53-01
	PART NO.	BM20B(0.6)-*DS-0.4V(53)
	CODE NO.	CL684

Aug.1.2021 Copyright 2021 HIROSE ELECTRIC CO., LTD. All Rights Reserved.
In case of consideration for using Automotive equipment / device which demand high reliability, kindly contact our sales window correspondents.

EMBOSED CARRIER TAPE PACKAGING (5:1)

STYLE AND DIMENTION OF REEL (FREE)



DETAIL OF PART NO. LABEL

製造年月日	** ** *	DATA OF MANUFACTURED CODE NO. PART NO. QUANTITY SUPPLIER
製品コード	CL0684-****-*(53)	
製品名	BM20B(0.6)-*DS-0.4V(53)	
数量	1,000	
納入者	ヒロセ電機(株)	

PART No.	J	K	L	M	N
BM20B(0.6)-10DS-0.4V(53)	16	7.5	4.54	17.5	21.5
BM20B(0.6)-20DS-0.4V(53)	16	7.5	6.54	17.5	21.5
BM20B(0.6)-24DS-0.4V(53)	16	7.5	7.34	17.5	21.5
BM20B(0.6)-30DS-0.4V(53)	24	11.5	8.54	25.5	29.5
BM20B(0.6)-34DS-0.4V(53)	24	11.5	9.34	25.5	29.5
BM20B(0.6)-40DS-0.4V(53)	24	11.5	10.54	25.5	29.5
BM20B(0.6)-50DS-0.4V(53)	24	11.5	12.54	25.5	29.5

- 8 . PER REEL 1,000 CONNECTORS.
- 9 . THE DIMENSIONS IN PARENTHESES ARE FOR REFERENCE.
- 10 . REFER TO JIS C 0806, IEC 60286-3(PACKAGING OF COMPONENTS FOR AUTOMATIC HANDLING)
- 11 . AFTER PACKAGING, ROLL 2 METERS OF THE REINFORCEMENT COLLAR TO OUTER CIRCUMFERENCE OF TAPE AND REEL POCKET. AND TAPE DOWN AT THE END THE COLLAR.

HRS	DRAWING NO.	EDC-351136-53-01
	PART NO.	BM20B(0.6)-*DS-0.4V(53)
	CODE NO.	CL684
		3/3

X-ON Electronics

Largest Supplier of Electrical and Electronic Components

Click to view similar products for [Board to Board & Mezzanine Connectors](#) category:

Click to view products by [Hirose](#) manufacturer:

Other Similar products are found below :

[589158040000018](#) [MDF7C-18P-2.54DSA\(55\)](#) [FCN-230C068-11](#) [FCN-268F012-G/BD](#) [FCN-268F036-G/BD](#) [FCN-268M012-G/0D](#) [FCN-268M024-G/1D](#) [FCN-723J004/1](#) [MIS-048-01-F-D-DP-K](#) [832-10-034-10-001000](#) [FX4C-80S-1.27DSA](#) [FCN-214Q030-G/0](#) [FCN-234P048-G/0](#) [FCN-235D050-G/C](#) [210-93-314-41-105000](#) [2-22603-0](#) [MDF7-40DP-2.54DSA\(55\)](#) [AXG720047](#) [MIT-114-03-F-D-K](#) [55323-1519](#) [DF33-2P-3.3DSA\(24\)](#) [YFT-20-05-H-03-SB-K](#) [503308-3040](#) [026-6203-PDB](#) [027-6203-PDB](#) [069159702701000](#) [10123981-102LF](#) [101A10019X](#) [55650-0588-C](#) [68682-310LF](#) [68684-306](#) [75140-7012](#) [87471-650](#) [YTW-30-07-H-Q-410-140](#) [FCN-268F024-G0D](#) [10124054-515LF](#) [68685-603](#) [8-1616154-3](#) [MIS-019-01-F-D](#) [FCN-268M024-G/3D](#) [FCN-268M036-G/BD](#) [20021832-06016C1LF](#) [KX15-20KLDL-E1000E](#) [AXE810124](#) [FCN-214J100-G/0](#) [FCN-230C068-E/S](#) [AXE812124](#) [AXE816124](#) [AXE720127](#) [354184](#)