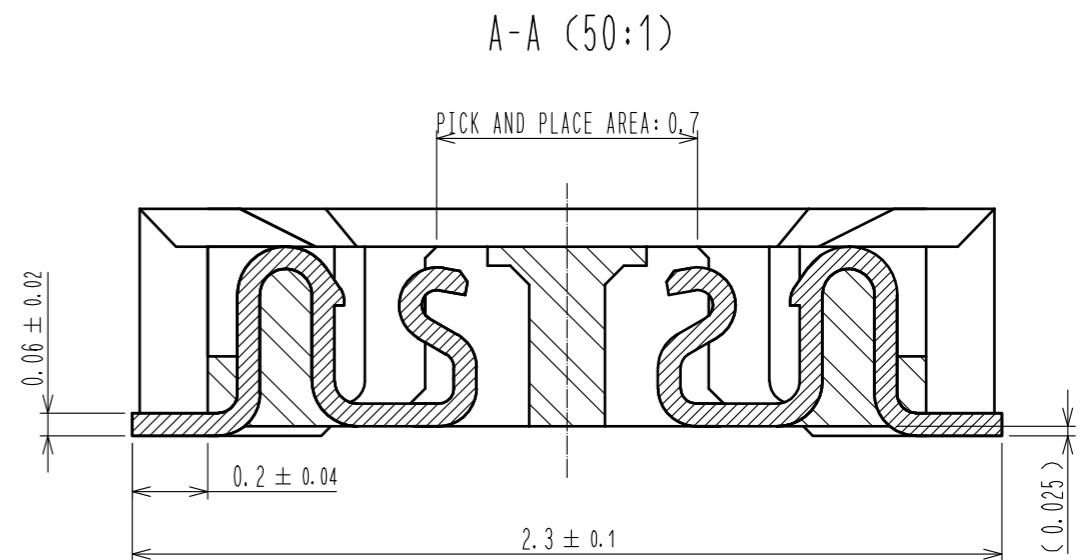
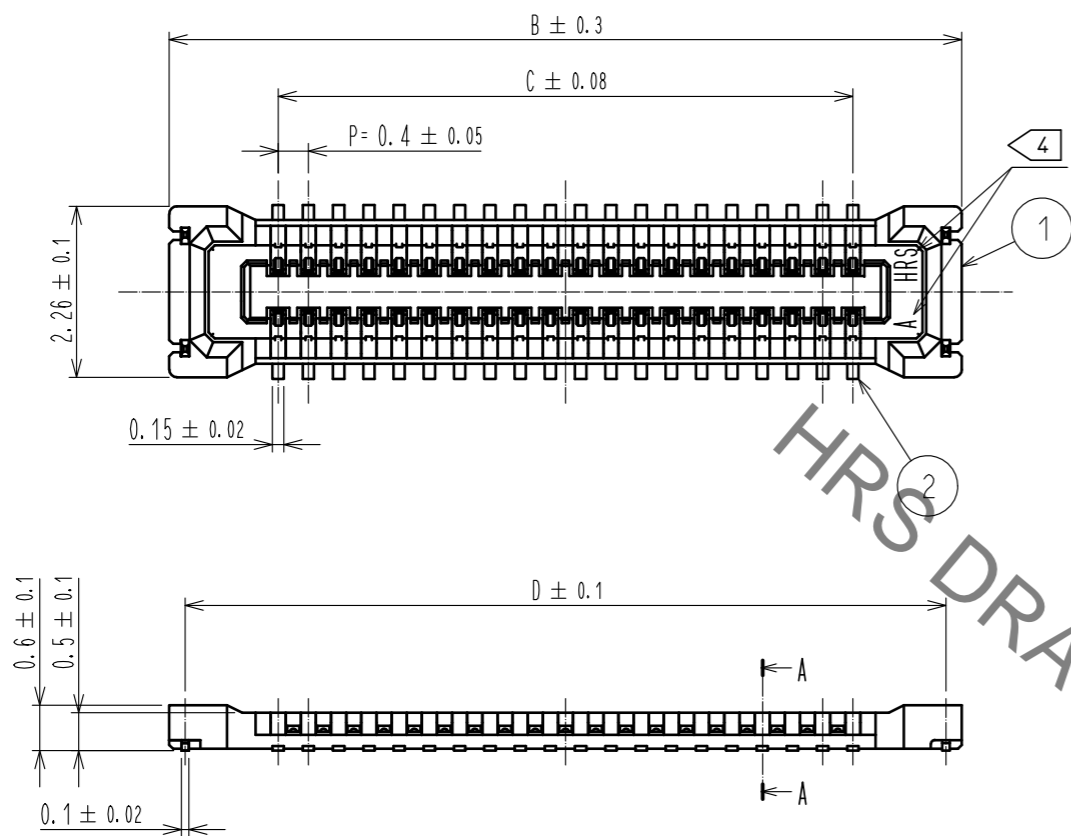
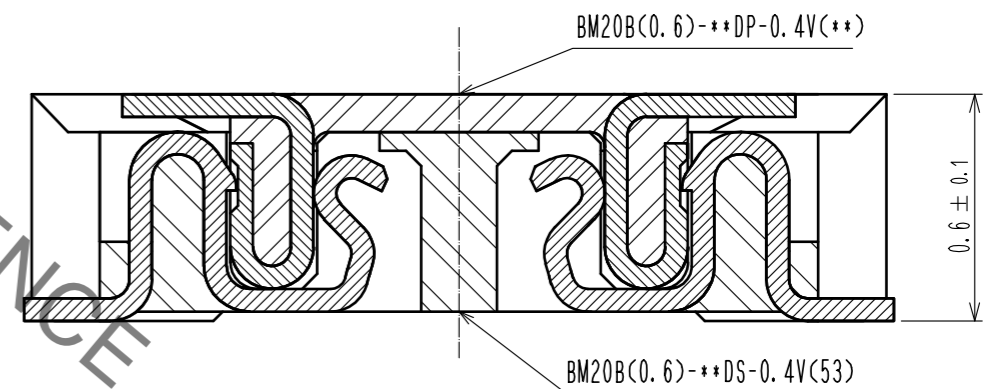


Aug.1.2021 Copyright 2021 HIROSE ELECTRIC CO., LTD. All Rights Reserved.
In case of consideration for using Automotive equipment / device which demand high reliability, kindly contact our sales window correspondents.



ENGAGEMENT FIGURE (50:1)



PART No.	CODE No.	B	C	D
BM20B(0.6)-10DS-0.4V(53)	CL0684-9308-8-53	4.48	1.6	4.06
BM20B(0.6)-20DS-0.4V(53)	CL0684-9309-0-53	6.48	3.6	6.06
BM20B(0.6)-24DS-0.4V(53)	CL0684-9310-0-53	7.28	4.4	6.86
BM20B(0.6)-30DS-0.4V(53)	CL0684-9311-2-53	8.48	5.6	8.06
BM20B(0.6)-34DS-0.4V(53)	CL0684-9312-5-53	9.28	6.4	8.86
BM20B(0.6)-40DS-0.4V(53)	CL0684-9313-8-53	10.48	7.6	10.06
BM20B(0.6)-50DS-0.4V(53)	CL0684-9314-0-53	12.48	9.6	12.06

- NOTE 1. ALL LEAD CO-PLANARITY SHALL BE 0.08mm MAX
2. CONTACT PLATING SPECIFICATIONS
 CONTACT AREA : GOLD 0.05 μm MIN
 SMT LEAD : GOLD 0.05 μm MIN
 UNDERPLATING : NICKEL 1 μm MIN
 (SURFACE : SEALING)
3. METAL FITTING PLATING SPECIFICATIONS
 SMT LEAD : GOLD 0.05 μm MIN
 UNDERPLATING : NICKEL 1 μm MIN
 (SURFACE : SEALING)
4. HRS MARK AND CAV NO. ARE INDICATED IN APPROX POSITION SHOWN.
5. GATE POSITION IS INDICATED IN APPROX. POSITION SHOWN.

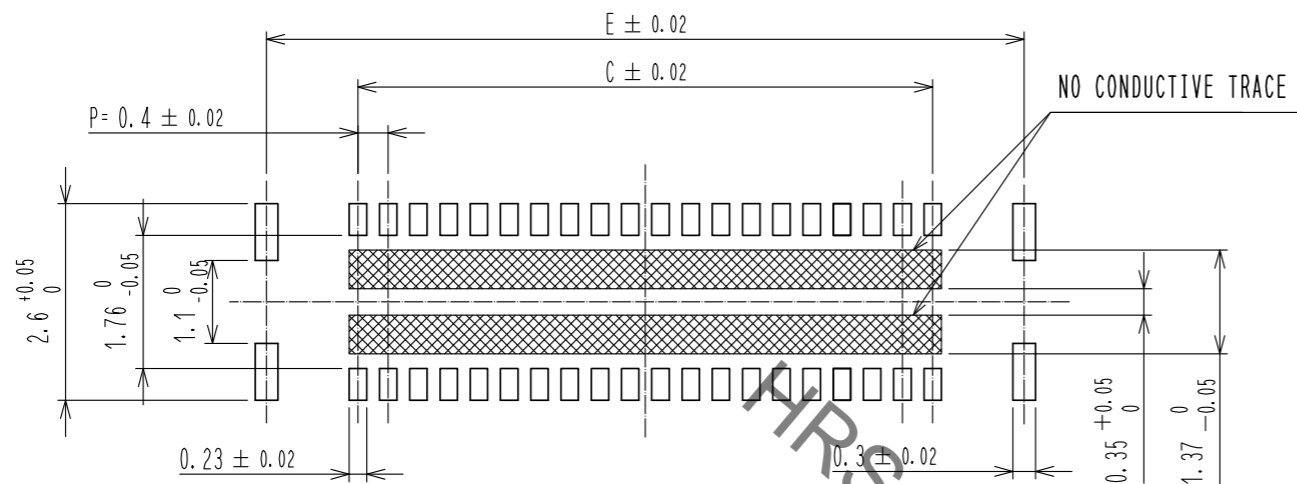
NO.	MATERIAL	FINISH .	REMARKS	NO.	MATERIAL	FINISH .	REMARKS
4	PS		CLEAR (EMBOSSED CARRIER TAPE)	7	PS		CLEAR (REINFORCEMENT COLLAR)
3	BRASS			6	PS		BLACK (PLASTIC REEL)
2	PHOSPHOR BRONZE			5	POLYESTER		CLEAR (COVER TAPE)
1	LCP		UL94 V-0, BLACK				

UNITS	SCALE	COUNT	DESCRIPTION OF REVISIONS	DESIGNED	CHECKED	DATE
mm	10:1	△				

APPROVED : MO. ISHIDA	15.04.21	DRAWING NO.	EDC-351136-53-01
CHECKED : TS. MIYAZAKI	15.04.21	PART NO.	BM20B(0.6)-*DS-0.4V(53)
DESIGNED : RT. SHIMIZU	15.04.21	CODE NO.	CL684
DRAWN : KR. AJITO	15.04.10		

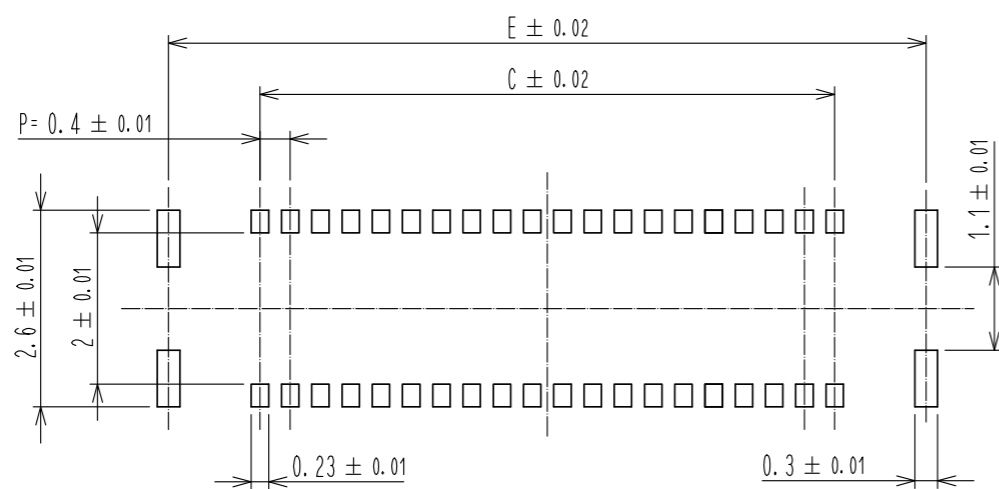
Aug.1.2021 Copyright 2021 HIROSE ELECTRIC CO., LTD. All Rights Reserved.
In case of consideration for using Automotive equipment / device which demand high reliability, kindly contact our sales window correspondents.

7 **RECOMMENDED PCB LAYOUT**



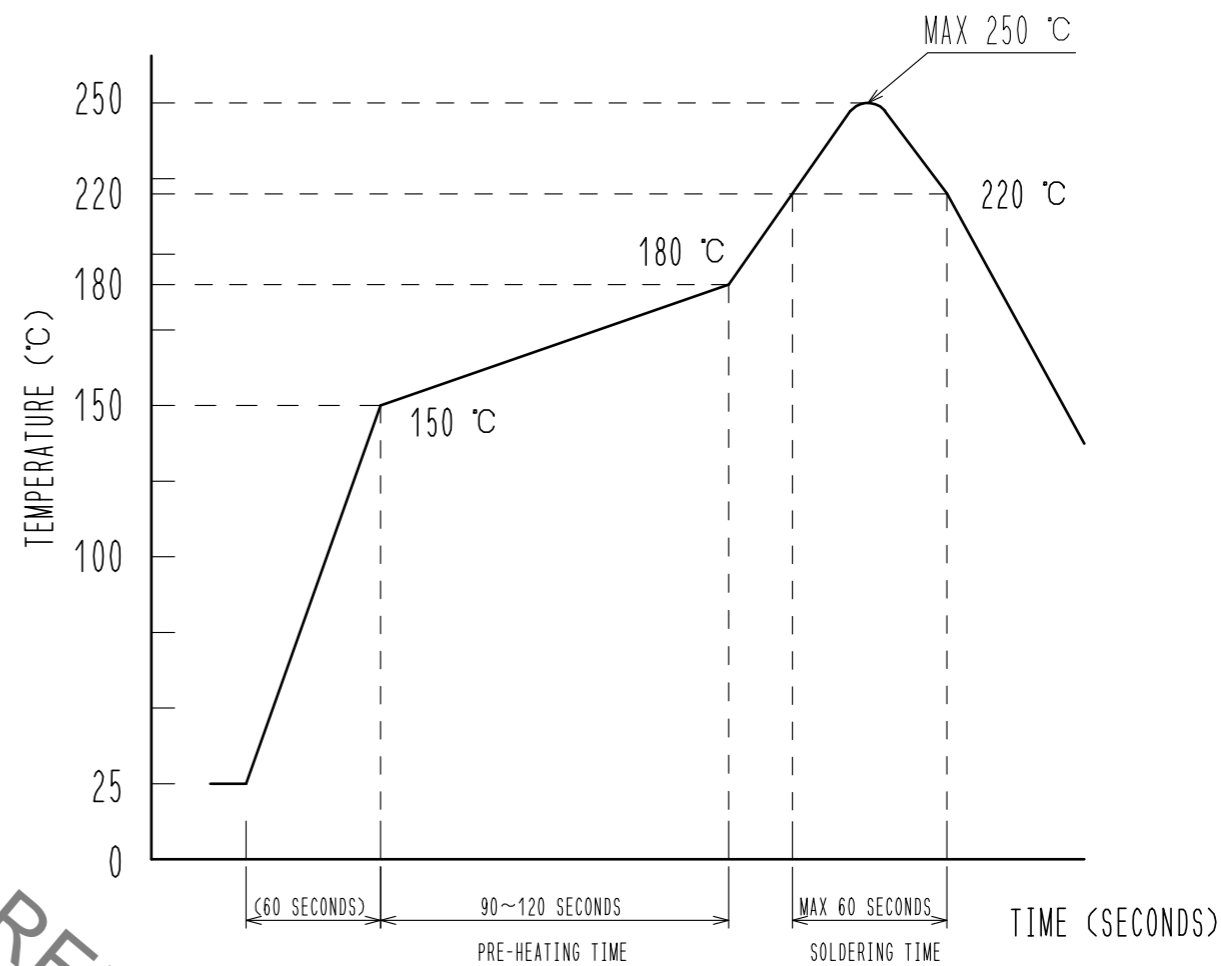
RECOMMENDED METAL MASK DIMENSIONS

MATAL MASK THICKNESS : 100 μ m



PART No.	C	E
BM20B(0.6)-10DS-0.4V(53)	1.6	4.02
BM20B(0.6)-20DS-0.4V(53)	3.6	6.02
BM20B(0.6)-24DS-0.4V(53)	4.4	6.82
BM20B(0.6)-30DS-0.4V(53)	5.6	8.02
BM20B(0.6)-34DS-0.4V(53)	6.4	8.82
BM20B(0.6)-40DS-0.4V(53)	7.6	10.02
BM20B(0.6)-50DS-0.4V(53)	9.6	12.02

6 **RECOMMENDED REFLOW TEMPERATURE PROFILE USING LEAD-FREE SOLDER PASTE.**



REFLOW METHOD : IR REFLOW
NUMBER OF REFLOW CYCLES : 2 CYCLES MAX.
1) REFLOW TIME
DURATION ABOVE 220°C, 60 SEC MAX.
(PEAK TEMPERATURE : 250°C MAX)

2) PRE-HEAT TIME
PRE-HEAT TEMPERATURE(MIN): 150°C
PRE-HEAT TEMPERATURE(MAX): 180°C
PRE-HEAT TIME: 90-120 SEC.

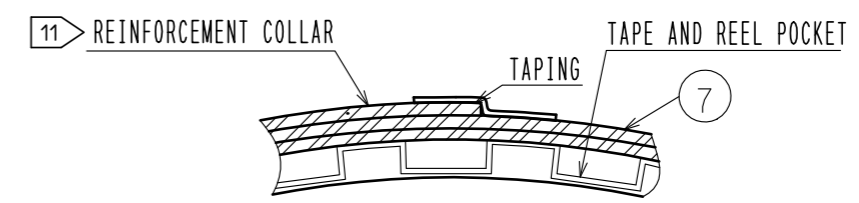
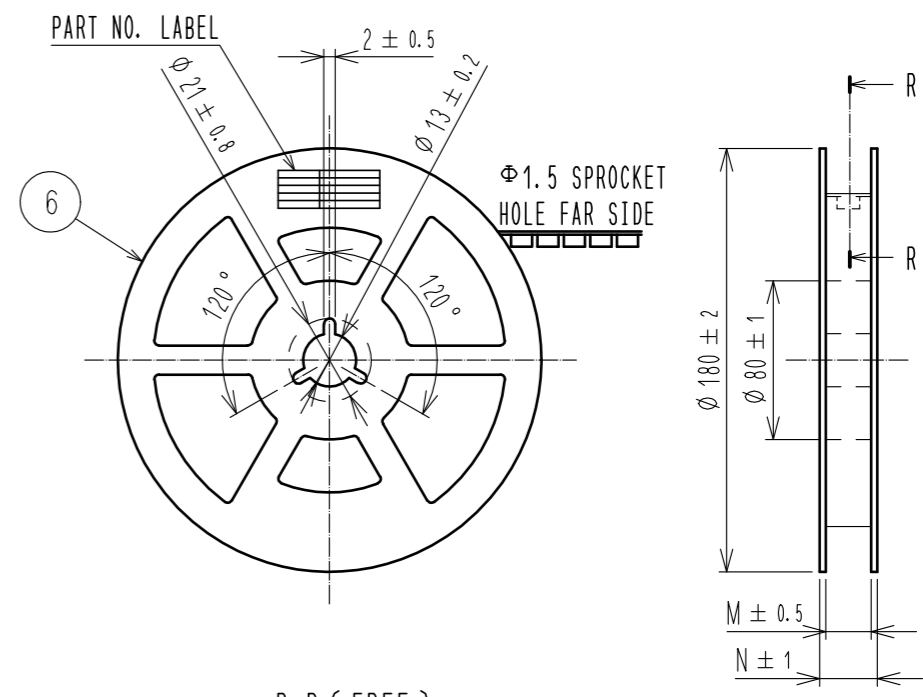
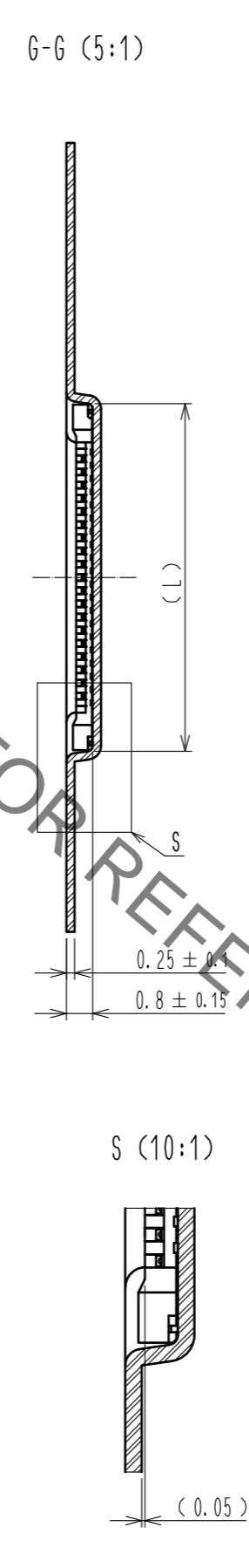
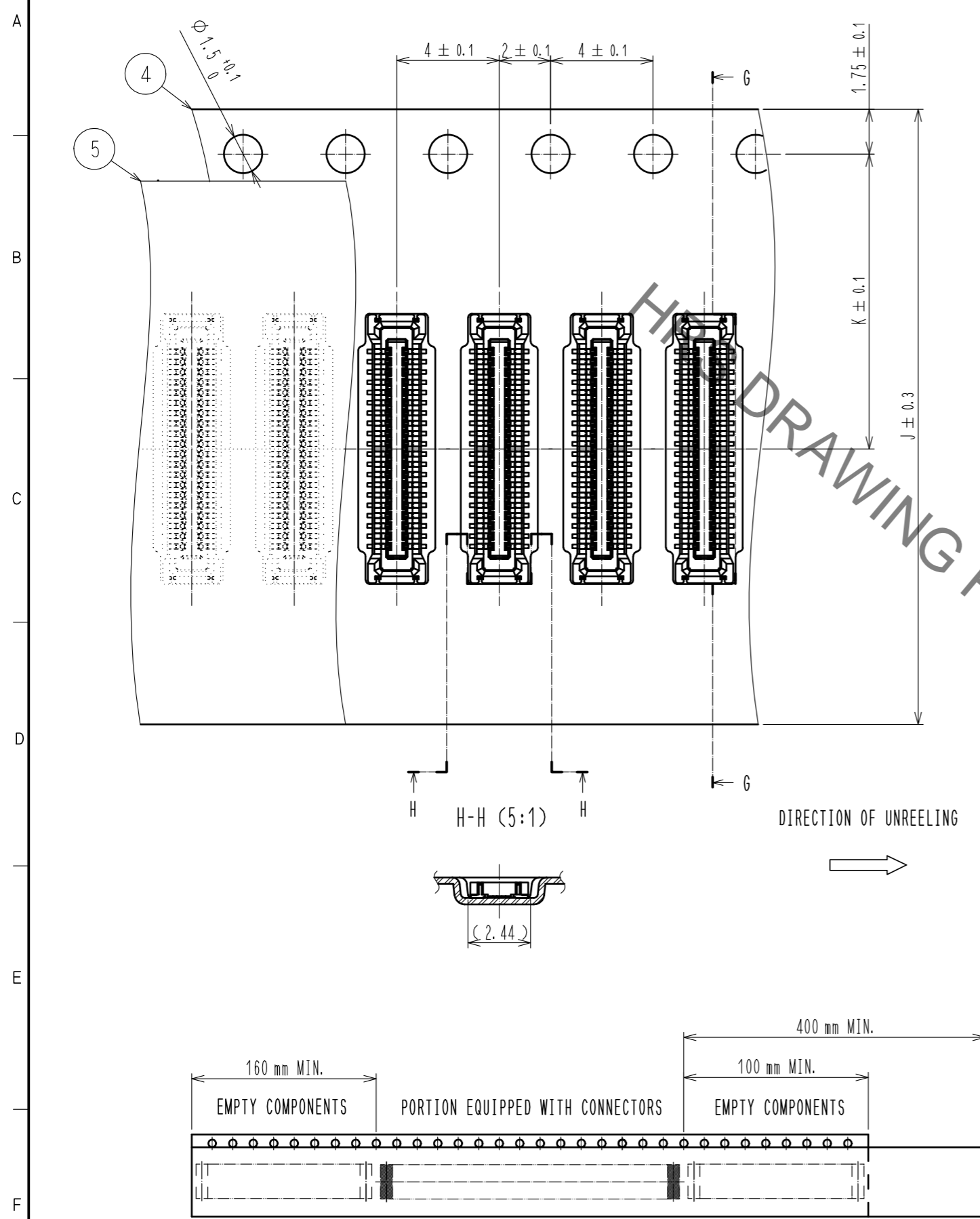
- 6. THE TEMPERATURE PROFILE IS PER THE CONDITIONS SHOWN ABOVE. ADDITIONAL FACTORS, SUCH AS SOLDER PASTE TYPE, PCB SIZE AND OTHER MOUNTED COMPONENTS COULD AFFECT THE PROFILE. THEREFORE, A THOROUGH EVALUATION OF MOUNTING CONDITION IS REQUIRED PRIOR TO PRODUCTION. TEMPERATURE IS MEASURED AT CONTACT LEAD.
- 7. PLEASE CONTACT US IN CASE YOU WILL MAKE DIFFERENT SETTINGS FROM OUR RECOMMENDATION.

HRS	DRAWING NO.	EDC-351136-53-01
	PART NO.	BM20B(0.6)-*DS-0.4V(53)
	CODE NO.	CL684

Aug.1.2021 Copyright 2021 HIROSE ELECTRIC CO., LTD. All Rights Reserved.
In case of consideration for using Automotive equipment / device which demand high reliability, kindly contact our sales window correspondents.

EMBOSED CARRIER TAPE PACKAGING (5:1)

STYLE AND DIMENTION OF REEL (FREE)



DETAIL OF PART NO. LABEL

製造年月日	** ** *	DATA OF MANUFACTURED CODE NO. PART NO. QUANTITY SUPPLIER
製品コード	CL0684-****-**- (53)	
製品名	BM20B(0.6)-*DS-0.4V(53)	
数量	1,000	
納入者	ヒロセ電機(株)	

PART No.	J	K	L	M	N
BM20B(0.6)-10DS-0.4V(53)	16	7.5	4.54	17.5	21.5
BM20B(0.6)-20DS-0.4V(53)	16	7.5	6.54	17.5	21.5
BM20B(0.6)-24DS-0.4V(53)	16	7.5	7.34	17.5	21.5
BM20B(0.6)-30DS-0.4V(53)	24	11.5	8.54	25.5	29.5
BM20B(0.6)-34DS-0.4V(53)	24	11.5	9.34	25.5	29.5
BM20B(0.6)-40DS-0.4V(53)	24	11.5	10.54	25.5	29.5
BM20B(0.6)-50DS-0.4V(53)	24	11.5	12.54	25.5	29.5

- 8 . PER REEL 1,000 CONNECTORS.
- 9 . THE DIMENSIONS IN PARENTHESES ARE FOR REFERENCE.
- 10 . REFER TO JIS C 0806, IEC 60286-3(PACKAGING OF COMPONENTS FOR AUTOMATIC HANDLING)
- 11 . AFTER PACKAGING, ROLL 2 METERS OF THE REINFORCEMENT COLLAR TO OUTER CIRCUMFERENCE OF TAPE AND REEL POCKET. AND TAPE DOWN AT THE END THE COLLAR.

HRS	DRAWING NO.	EDC-351136-53-01
	PART NO.	BM20B(0.6)-*DS-0.4V(53)
	CODE NO.	CL684
		3/3

X-ON Electronics

Largest Supplier of Electrical and Electronic Components

Click to view similar products for [Board to Board & Mezzanine Connectors](#) category:

Click to view products by [Hirose](#) manufacturer:

Other Similar products are found below :

[589158040000018](#) [MDF7C-18P-2.54DSA\(55\)](#) [FCN-230C068-11](#) [FCN-268F012-G/BD](#) [FCN-268F036-G/BD](#) [FCN-268M012-G/0D](#) [FCN-268M024-G/1D](#) [FCN-723J004/1](#) [MIS-048-01-F-D-DP-K](#) [832-10-034-10-001000](#) [FX4C-80S-1.27DSA](#) [FCN-214Q030-G/0](#) [FCN-234P048-G/0](#) [FCN-235D050-G/C](#) [210-93-314-41-105000](#) [2-22603-0](#) [MDF7-40DP-2.54DSA\(55\)](#) [AXG720047](#) [MIT-114-03-F-D-K](#) [55323-1519](#) [DF33-2P-3.3DSA\(24\)](#) [YFT-20-05-H-03-SB-K](#) [503308-3040](#) [026-6203-PDB](#) [027-6203-PDB](#) [069159702701000](#) [10123981-102LF](#) [101A10019X](#) [55650-0588-C](#) [68682-310LF](#) [68684-306](#) [75140-7012](#) [87471-650](#) [YTW-30-07-H-Q-410-140](#) [FCN-268F024-G0D](#) [10124054-515LF](#) [68685-603](#) [8-1616154-3](#) [MIS-019-01-F-D](#) [FCN-268M024-G/3D](#) [FCN-268M036-G/BD](#) [20021832-06016C1LF](#) [KX15-20KLDL-E1000E](#) [AXE810124](#) [FCN-214J100-G/0](#) [FCN-230C068-E/S](#) [AXE812124](#) [AXE816124](#) [AXE720127](#) [354184](#)