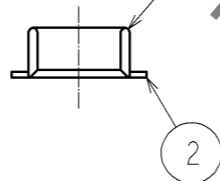
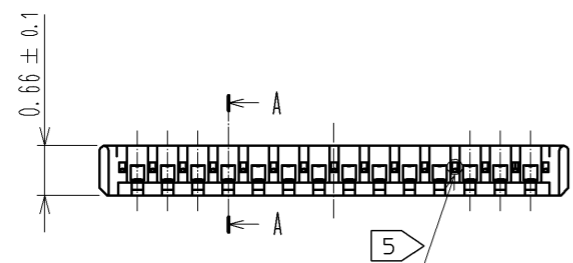
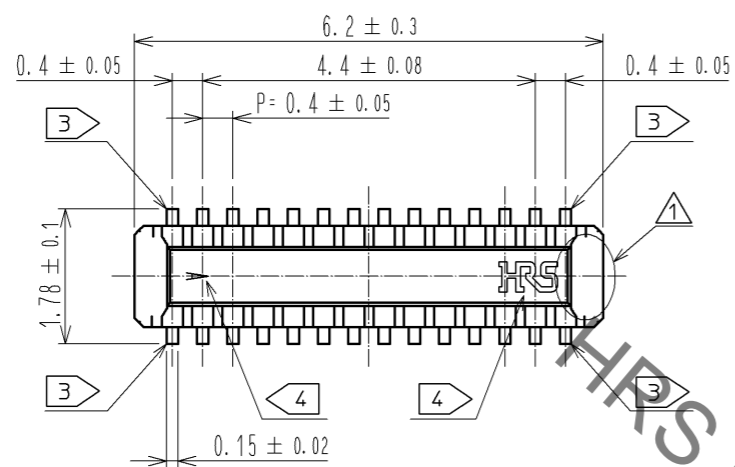
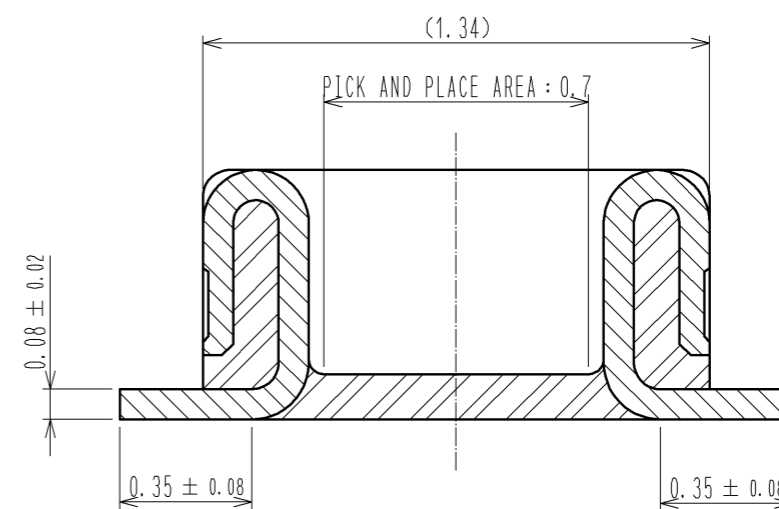


Oct.1.2019 Copyright 2019 HIROSE ELECTRIC CO., LTD. All Rights Reserved.
In case of consideration for using Automotive equipment / device which demand high reliability, kindly contact our sales window correspondents.

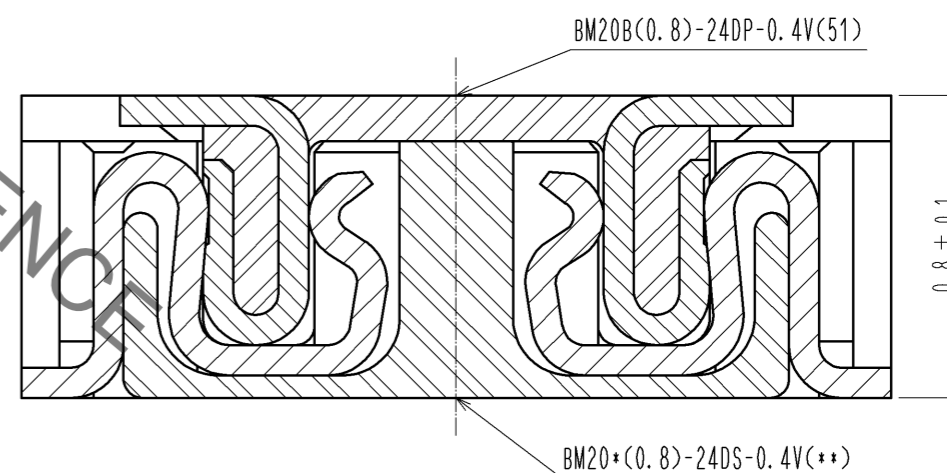


- NOTE 1 . ALL LEAD CO-PLANARITY SHALL BE 0.08mm MAX
- 2 CONTACT PLATING SPECIFICATIONS
CONTACT AREA : GOLD 0.05 μm MIN
SMT LEAD : GOLD 0.05 μm MIN
UNDER PLATING : NICKEL 1 μm MIN
(SURFACE : SEALING)
 - 3 EACH CONTACTS AT 4 CORNERS ARE PROVIDED FOR METAL FITTINGS.
 - 4 HRS MARK AND CAV No. ARE INDICATED IN APPROX POSITION SHOWN.
 - 5 A PART OF THE WALL COULD BE NOTCHED.

A-A (50:1)



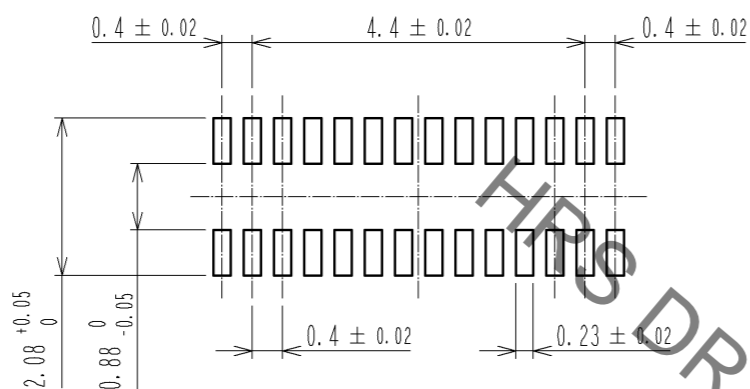
ENGAGEMENT FIGURE (50:1) 1



| 3 | PS | CLEAR (EMBOSSED CARRIER TAPE) | 6 | PS | CLEAR (REINFORCEMENT COLLAR) |
|---------------------------------|-----------------|-------------------------------|-----------------------------------|--|------------------------------|
| 2 | PHOSPHOR BRONZE | 2 | 5 | PS | BLACK (PLASTIC REEL) |
| 1 | LCP | UL94 V-0, BLACK | 4 | POLYESTER | CLEAR (COVER TAPE) |
| NO. | MATERIAL | FINISH . REMARKS | NO. | MATERIAL | FINISH . REMARKS |
| UNITS mm | | SCALE 10 : 1 | COUNT 4 | DESCRIPTION OF REVISIONS DIS-H-006322 | |
| APPROVED : KH. IKEDA 11.08.01 | | | DESIGNED YK. SATAKE | CHECKED TS. MIYAZAKI | DATE 11.11.09 |
| CHECKED : TS. MIYAZAKI 11.08.01 | | | DRAWING NO. EDC3-332309-01 | | |
| DESIGNED : YK. SATAKE 11.07.28 | | | PART NO. BM20B(0.8)-24DP-0.4V(51) | | |
| DRAWN : YK. SATAKE 11.07.28 | | | CODE NO. CL684-9003-0-51 | | |

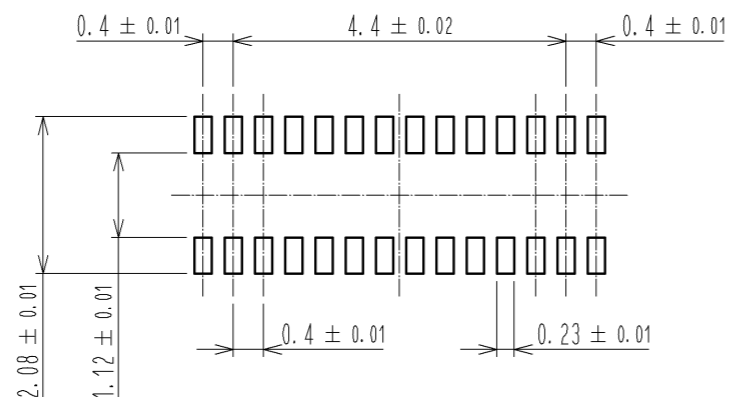
Oct.1.2019 Copyright 2019 HIROSE ELECTRIC CO., LTD. All Rights Reserved.
 In case of consideration for using Automotive equipment / device which demand high reliability, kindly contact our sales window correspondents.

◆ RECOMMENDED PCB LAYOUT

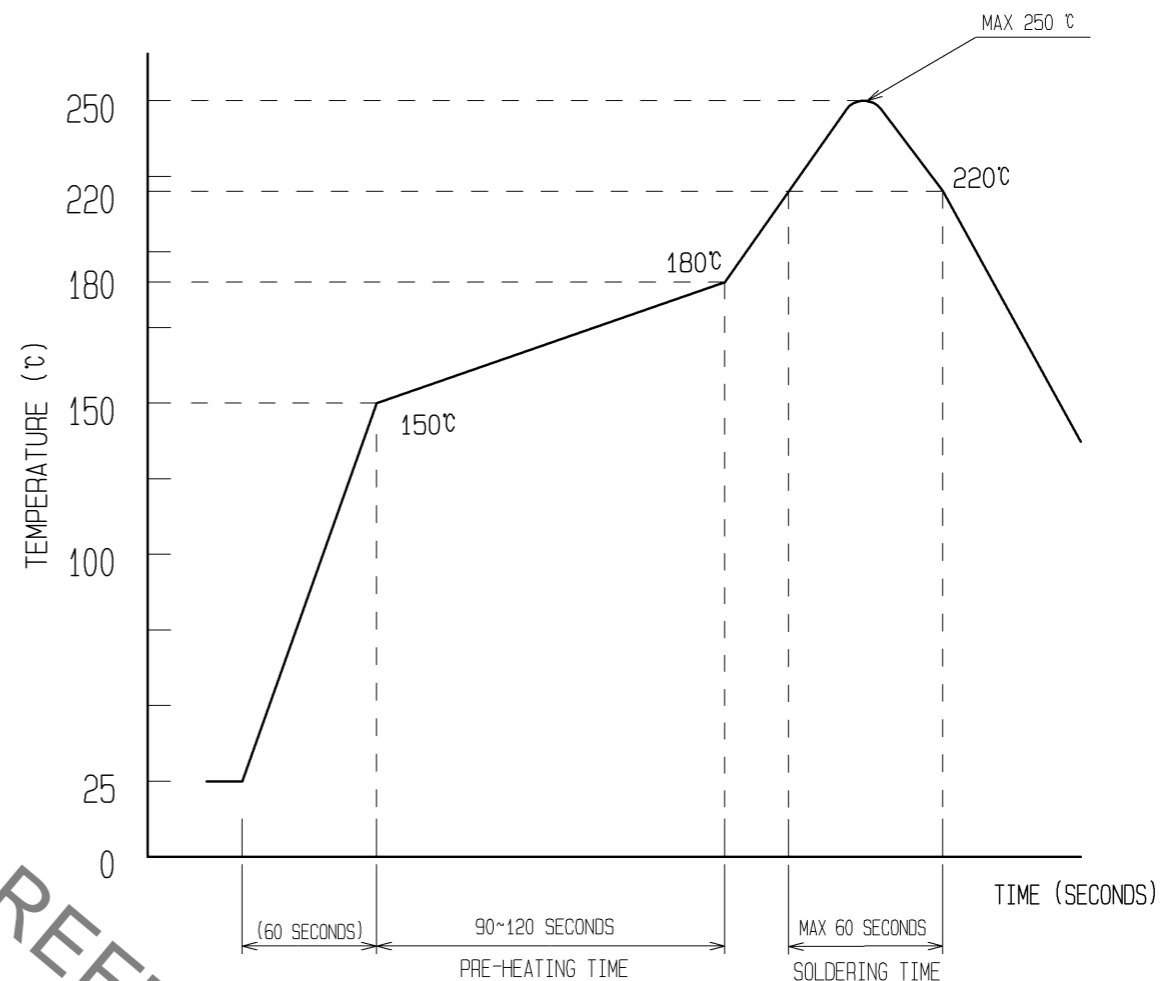


◆ RECOMMENDED METAL MASK DIMENSIONS △

METAL MASK THICKNESS : 100 μm



6 RECOMMENDED REFLOW TEMPERATURE PROFILE USING LEAD-FREE SOLDER PASTE.



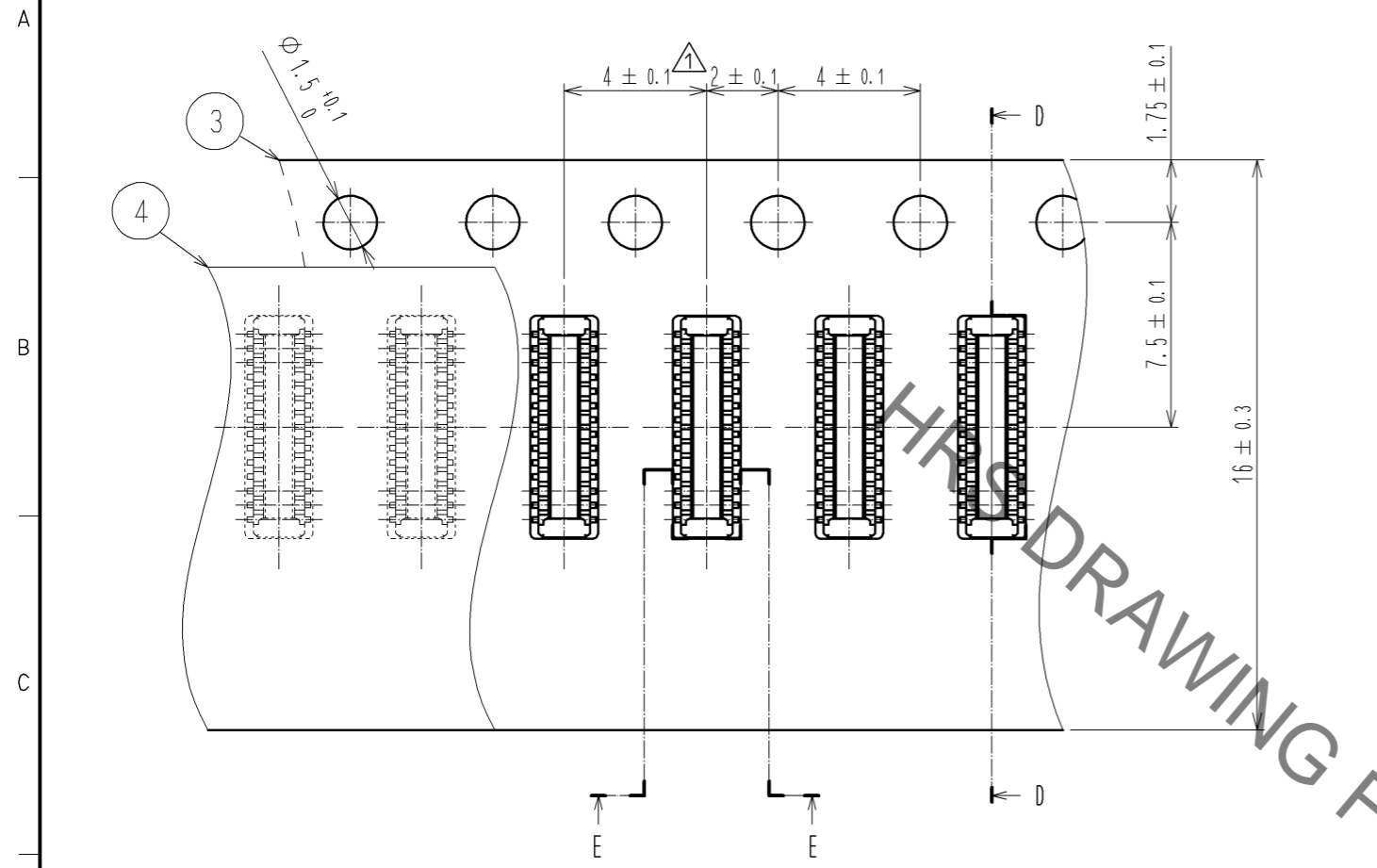
REFLOW METHOD: IR REFLOW
 NUMBER OF REFLOW CYCLES: 2 CYCLES MAX.
 1) REFLOW TIME
 DURATION ABOVE 220°C: 60 SEC MAX.
 (PEAK TEMPERATURE: 250°C MAX)
 2) PRE-HEAT TIME
 PRE-HEAT TEMPERATURE(MIN): 150°C
 PRE-HEAT TEMPERATURE(MAX): 180°C
 PRE-HEAT TIME: 90-120 SEC.

6 THIS TEMPERATURE PROFILE IS PER THE CONDITIONS SHOWN ABOVE. ADDITIONAL FACTORS, SUCH AS SOLDER PASTE TYPE, PCB SIZE AND OTHER MOUNTED COMPONENTS COULD AFFECT THE PROFILE. THEREFORE, A THOROUGH EVALUATION OF MOUNTING COONDITION IS REQUIRED PRIOR TO PRODUCTION. TEPERATURE IS MEASURED AT CONTACT LEAD.

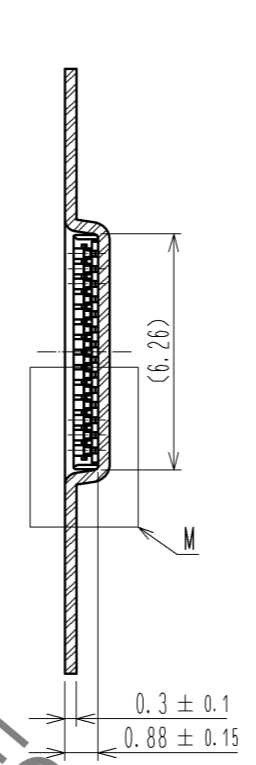
| | | |
|------------|-------------|--------------------------|
| HRS | DRAWING NO. | EDC3-332309-01 |
| | PART NO. | BM20B(0.8)-24DP-0.4V(51) |
| | CODE NO. | CL684-9003-0-51 |

Oct.1.2019 Copyright 2019 HIROSE ELECTRIC CO., LTD. All Rights Reserved.
 In case of consideration for using Automotive equipment / device which demand high reliability, kindly contact our sales window correspondents.

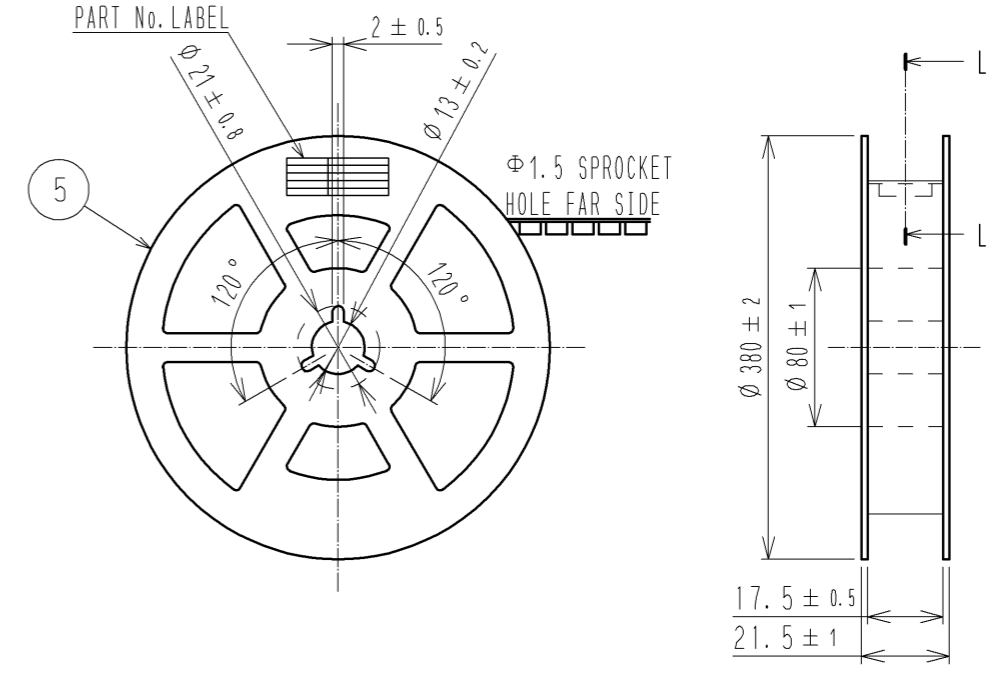
EMBOSED CARRIER TAPE PACKAGING (5:1)



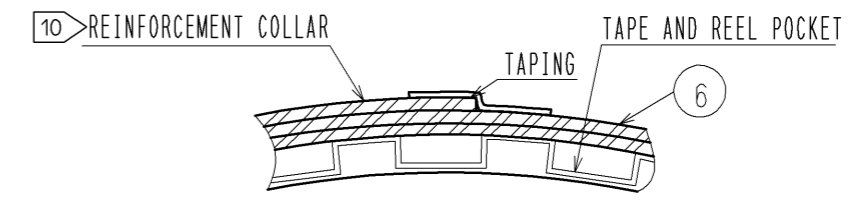
D-D (5:1)



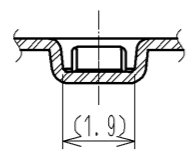
STYLE AND DIMENTION OF REEL (FREE)



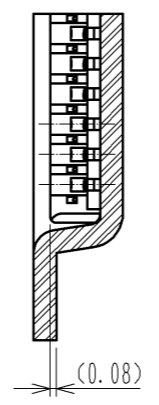
L-L (FREE)



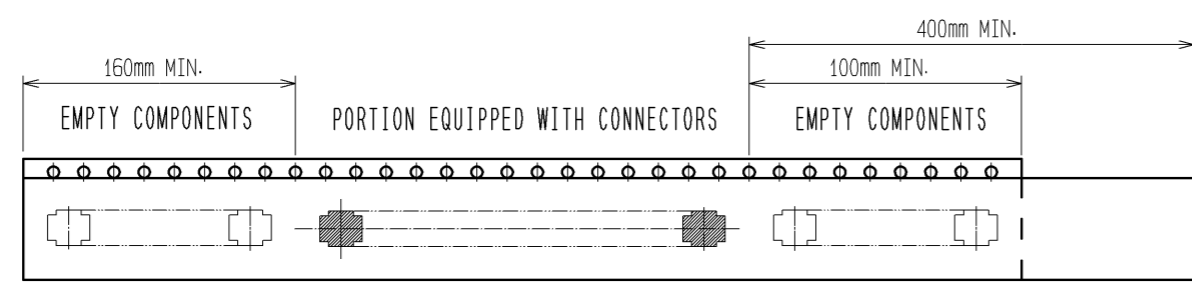
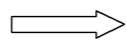
E-E (5:1)



M (10:1)



DIRECTION OF UNREELING



DETAIL OF PART No. LABEL

| | | |
|-------|--------------------------|----------------------|
| 製造年月日 | ** ** * | DATE OF MANUFACTURED |
| 製品コード | CL0684-9003-0-(51) | CODE No. |
| 製品名 | BM20B(0.8)-24DP-0.4V(51) | PART No. |
| 数量 | 8,000 | QUANTITY |
| 納入者 | ヒロセ電機(株) | SUPPLIER |

- 7. PER REEL 8000 CONNECTORS.
- 8. THE DIMENTION IN PARENTHESSES ARE FOR REFERENCE.
- 9. REFER TO JIS C 0806(PACKAGING OF COMPONENTS FOR AUTOMATIC HANDLING)
- 10. AFTER PACKAGING, ROLL 2 METERS OF THE REINFORCEMENT COLLAR TO OUTER CIRCUMFERENCE OF TAPE AND REEL POCKET. AND TAPE DOWN AT THE END THE COLLAR.

| | | | |
|------------|-------------|--------------------------|-----|
| HRS | DRAWING NO. | EDC3-332309-01 | |
| | PART NO. | BM20B(0.8)-24DP-0.4V(51) | |
| | CODE NO. | CL684-9003-0-51 | 3/3 |

X-ON Electronics

Largest Supplier of Electrical and Electronic Components

Click to view similar products for [Headers & Wire Housings](#) category:

Click to view products by [Hirose](#) manufacturer:

Other Similar products are found below :

[95000-104TRLF](#) [10135584-644402LF](#) [DF62W-EP2022PCA](#) [95000-106TRLF](#) [DF62W-2022SCA](#) [DF62W-EP2022PC](#) [2203348](#) [DF62W-2022SC](#) [1084018](#) [1029039](#) [1084017](#) [802-10-012-10-002000](#) [1112640](#) [1112639](#) [891-007-9SS-BST1T](#) [000-34000](#) [0008550134](#) [0009482033](#) [0009507031](#) [57102-F02-18ULF](#) [57102-S06-03LF](#) [57202-S52-04LF](#) [PCN6-15S-2.5E](#) [0039019024](#) [58102-G61-06LF](#) [582553-1](#) [0009485154](#) [0009508121](#) [0022285053](#) [0050291907](#) [018731A](#) [LY20-4P-DT1-P1E-BR](#) [02.125.8002.8](#) [60101931](#) [60598-1 \(Cut Strip\)](#) [M1625-3R/100](#) [61062-3](#) [61082-181009](#) [CSU011177004](#) [636-1427](#) [638009-1](#) [641938-9](#) [641991-4](#) [644168-1](#) [644827-2](#) [647662-1](#) [65039-019ELF](#) [65692-001LF](#) [65781-018](#) [65781-047](#)