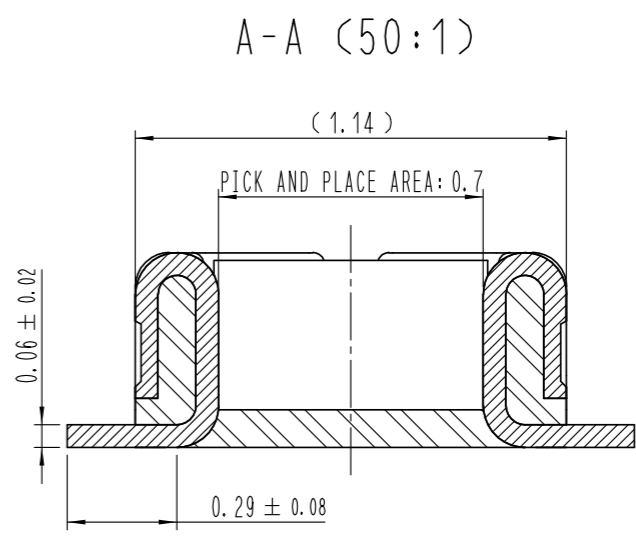
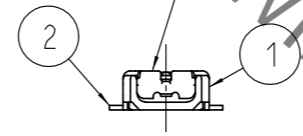
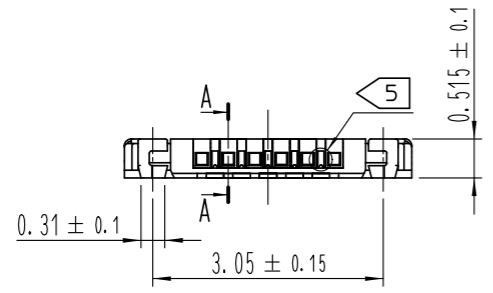
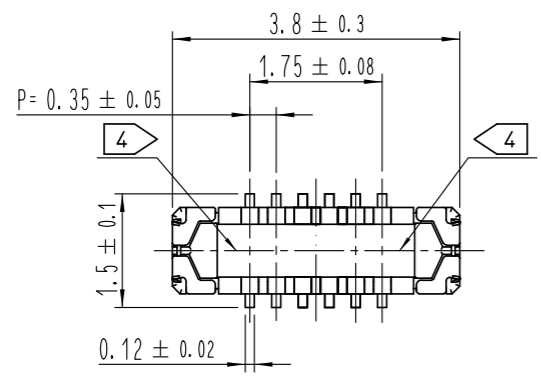


Sep.1.2021 Copyright 2021 HIROSE ELECTRIC CO., LTD. All Rights Reserved.
In case of consideration for using Automotive equipment / device which demand high reliability, kindly contact our sales window correspondents.

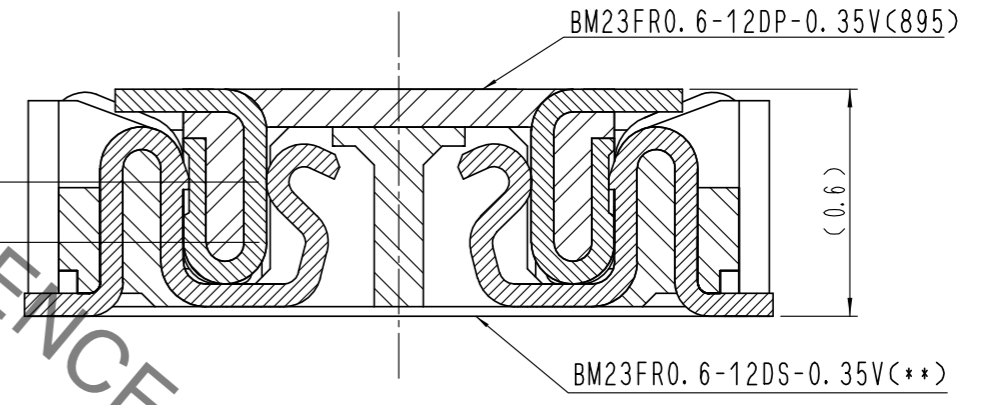
A
B
C
D
E
F

1 2 3 4 5 6 7 8

| COUNT | DESCRIPTION OF REVISIONS | B | Y | CHKD | DATE | COUNT | DESCRIPTION OF REVISIONS | B | Y | CHKD | DATE |
|-------|--------------------------|---|---|------|------|-------|--------------------------|---|---|------|------|
| △ | | | | | | △ | | | | | |
| △ | | | | | | △ | | | | | |
| △ | | | | | | △ | | | | | |



ENGAGEMENT FIGURE (50:1)



- NOTE
- 1 . ALL LEAD CO-PLANARITY SHALL BE 0.08mm MAX.
 - 2 CONTACT PLATING SPECIFICATIONS.
CONTACT AREA : GOLD 0.05 μm MIN.
SMT LEAD : GOLD 0.05 μm MIN.
UNDER PLATING : NICKEL 1 μm MIN.
(SURFACE : SEALING)
 - 3 METAL FITTING PLATING SPECIFICATIONS.
SMT LEAD : GOLD 0.05 μm MIN.
UNDERPLATING : NICKEL 1 μm MIN.
(SURFACE : SEALING)
 - 4 HRS MARK AND CAV No. ARE INDICATED IN APPROX POSITION SHOWN.
 - 5 A PART OF THE WALL COULD BE NOTCHED.

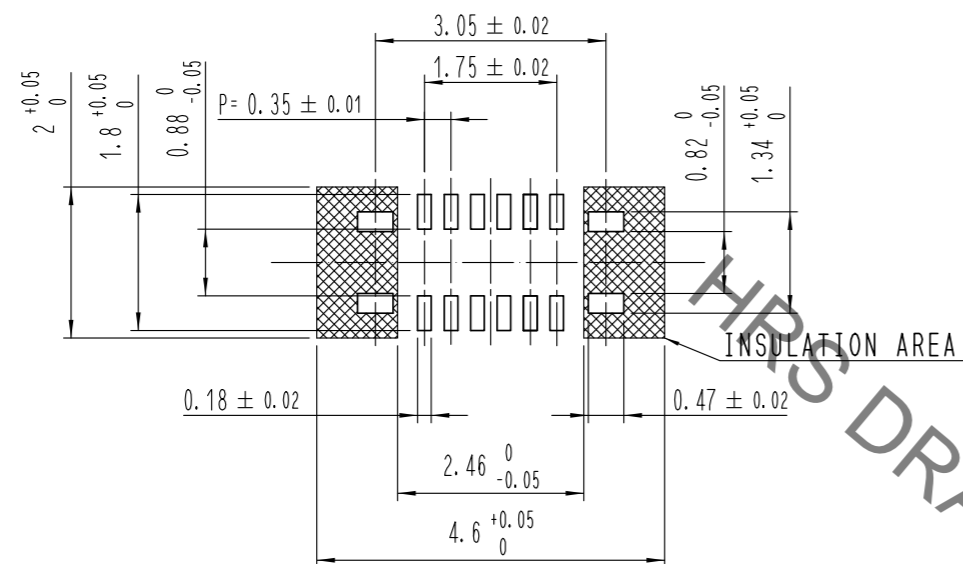
HRS DRAWING FOR REFERENCE

| 4 | PS | CLEAR (EMBOSSED CARRIER TAPE) | | | | | | | | |
|----------------|----------------------------|-------------------------------|------------------------------------|----------|------------------|------------|------------|------------------------------|------------|----------|
| 3 | PHOSPHOR BRONZE | 3 | | | | 7 | PS | CLEAR (REINFORCEMENT COLLAR) | | |
| 2 | PHOSPHOR BRONZE | 2 | | | | 6 | PS | BLACK (PLASTIC REEL) | | |
| 1 | LCP | UL94 V-0, BLACK | | | | 5 | POLYESTER | CLEAR (COVER TAPE) | | |
| NO. | MATERIAL | FINISH , REMARKS | NO. | MATERIAL | FINISH , REMARKS | | | | | |
| REMARKS | | | | | | DRAWN | DESIGNED | CHECKED | APPROVED | RELEASED |
| | | | | | | J. S. PARK | J. S. PARK | H. W. JO | T. S. KANG | 17.08.09 |
| | | | | | | 17.08.09 | 17.08.09 | 17.08.09 | 17.08.09 | 17.08.09 |
| CODE NO. (OLD) | DRAWING NO. EDC3-632158 | | PART NO. BM23FR0.6-12DP-0.35V(895) | | | | | | | |
| SCALE 10:1 | HRS HIROSE KOREA CO., LTD. | | CODE NO. CL 6644-0076-6-895 | | | | | | | |
| UNITS mm | | | | | 1/3 | | | | | |

1 2 3 4 5 6 7 8

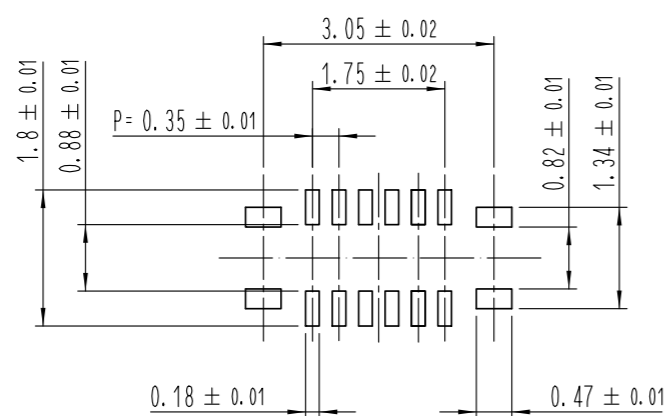
Sep.1.2021 Copyright 2021 HIROSE ELECTRIC CO., LTD. All Rights Reserved.
In case of consideration for using Automotive equipment / device which demand high reliability, kindly contact our sales window correspondents.

7 RECOMMENDED PCB LAYOUT

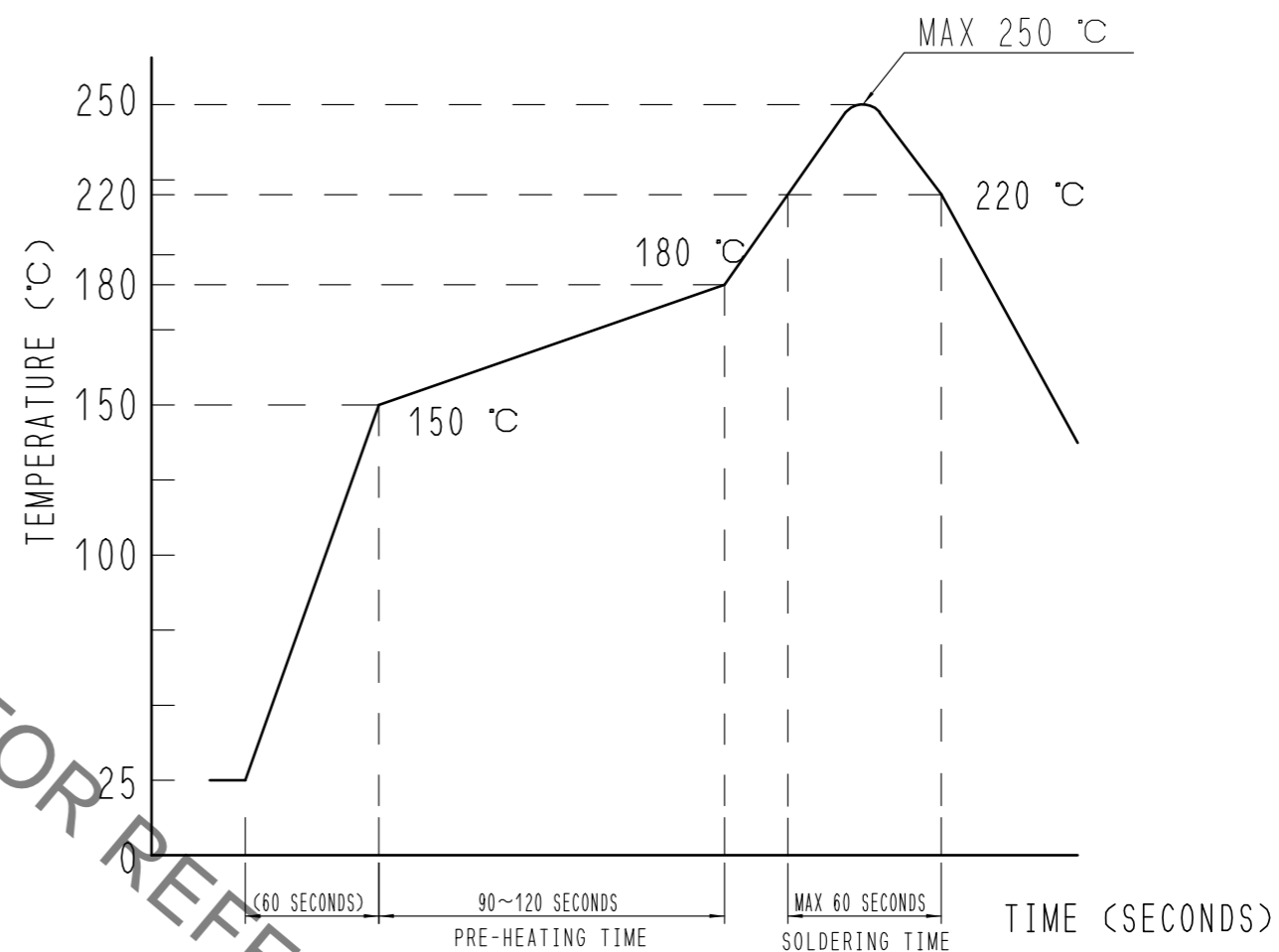


RECOMMENDED METAL MASK DIMENSIONS

METAL MASK THICKNESS : 100 μm



6 RECOMMENDED REFLOW TEMPERATURE PROFILE USING LEAD-FREE SOLDER PASTE.



REFLOW METHOD: N₂ REFLOW
NUMBER OF REFLOW CYCLES: 2 CYCLES MAX.

- 1) REFLOW TIME
DURATION ABOVE 220°C, 60 SEC MAX.
(PEAK TEMPERATURE: 250°C MAX)
- 2) PRE-HEAT TIME
PRE-HEAT TEMPERATURE (MIN): 150°C
PRE-HEAT TEMPERATURE (MAX): 180°C
PRE-HEAT TIME: 90-120 SEC.

- 6 THIS TEMPERATURE PROFILE IS PER THE CONDITIONS SHOWN ABOVE. ADDITIONAL FACTORS, SUCH AS SOLDER PASTE TYPE, PCB SIZE AND OTHER MOUNTED COMPONENTS COULD AFFECT THE PROFILE. THEREFORE, A THOROUGH EVALUATION OF MOUNTING CONDITION IS REQUIRED PRIOR TO PRODUCTION. TEMPERATURE IS MEASURED AT CONTACT LEAD.
- 7 PLEASE CONTACT US IN CASE YOU WILL MAKE DIFFERENT SETTINGS FROM OUR RECOMMENDATION.

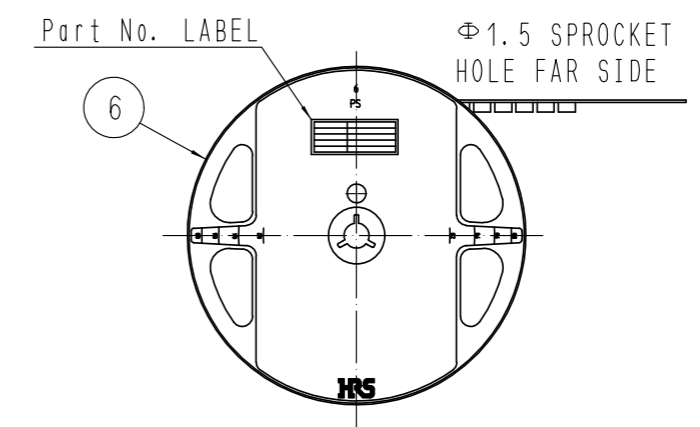
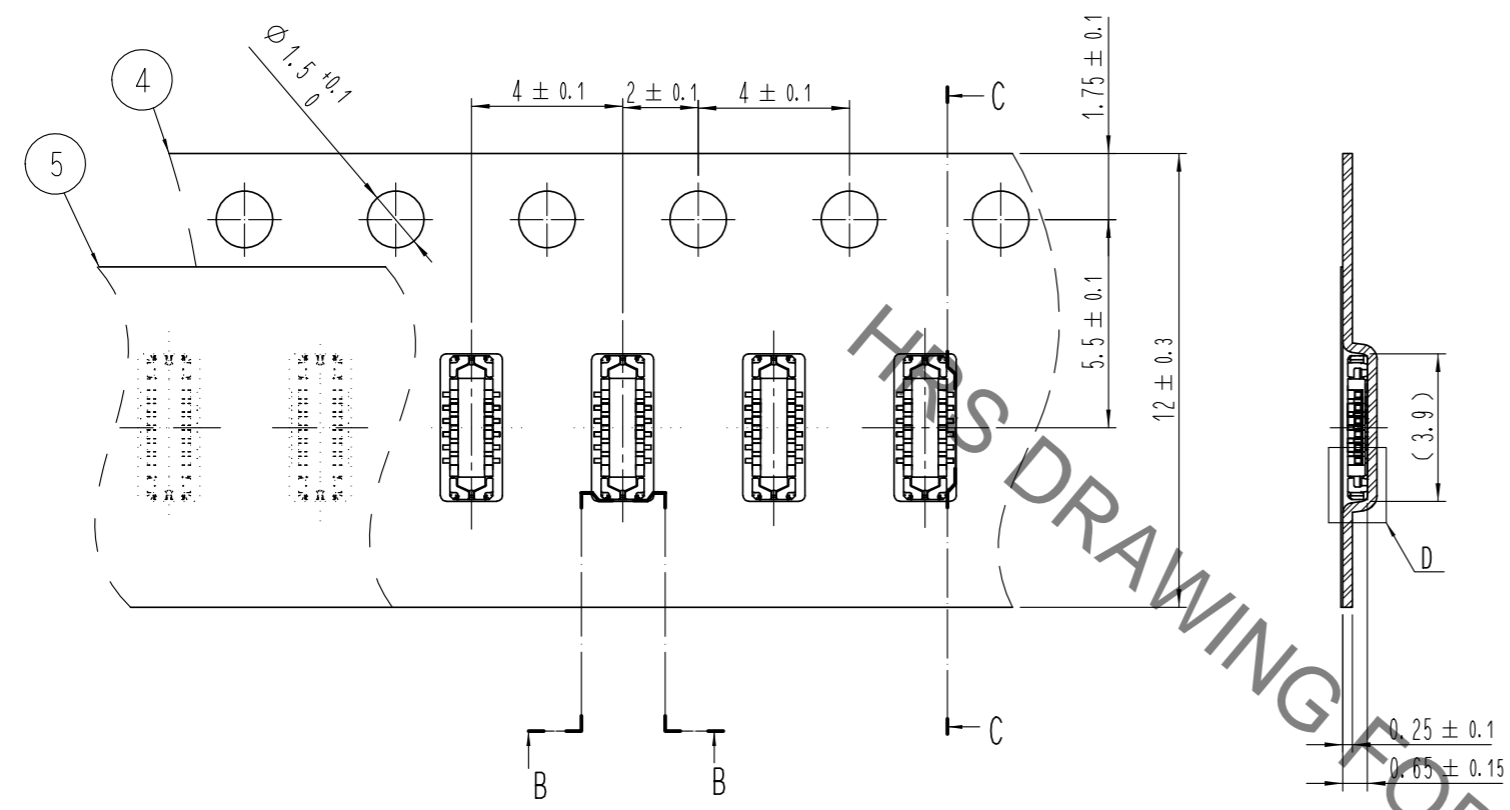
| | | | | |
|-------|----------------------------|-------------|----------|---------------------------|
| | DRAWING NO. | EDC3-632158 | PART NO. | BM23FR0.6-12DP-0.35V(895) |
| | SCALE | 10:1 | CODE NO | CL 6644-0076-6-895 |
| UNITS | HRS HIROSE KOREA CO., LTD. | | | 2/3 |

Sep.1.2021 Copyright 2021 HIROSE ELECTRIC CO., LTD. All Rights Reserved.
In case of consideration for using Automotive equipment / device which demand high reliability, kindly contact our sales window correspondents.

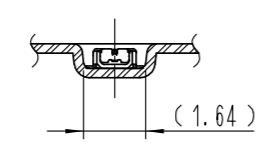
EMBOSSED CARRIER TAPE PACKAGING (5:1)

C-C (5:1)

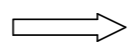
STYLE AND DIMENTION OF REEL (FREE)



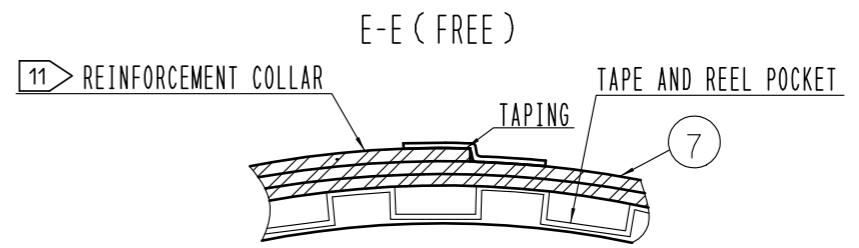
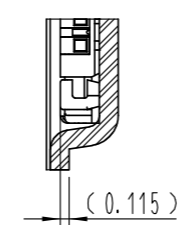
B-B (5:1)



DIRECTION OF UNREELING



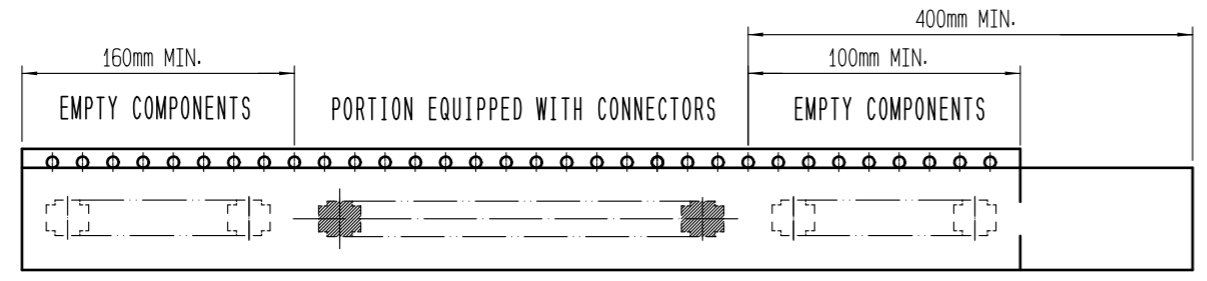
D (10:1)



DETAIL OF PART No. LABEL

| | |
|----------------------|---------------------------|
| SUPPLIER | HIROSE ELECTRIC CO., LTD. |
| QUANTITY | 1,000 |
| PART NO. | BM23FR0.6-12DP-0.35V(895) |
| CODE NO. | CL 6644-0076-6-895 |
| DATE OF MANUFACTURED | 生産月日 年 月 日 |
| 図番 | ** ** * |
| 品名 | BM23FR0.6-12DP-0.35V(895) |
| 納入数量 | 1,000個 |
| 納入者 | HIROSE KOREA |

10 TAPING(FREE)



- 8 . PER REEL 1,000 CONNECTORS.
- 9 . THE DIMENSIONS IN PARENTHESES ARE FOR REFERENCE.
- 10 REFER TO JIS C 0806, IEC-60286-3 (PACKAGING OF COMPONENTS FOR AUTOMATIC HANDLING)
- 11 AFTER PACKAGING, ROLL 2 METERS OF THE REINFORCEMENT COLLAR TO OUTER CIRCUMFERENCE OF TAPE AND REEL POCKET. AND TAPE DOWN AT THE END THE COLLAR.

| | | | |
|-------------------------------|---------------------------------------|--------------------------------|-----|
| DRAWING NO. EDC3-632158 | PART NO. BM23FR0.6-12DP-0.35V(895) | CODE NO. CL 6644-0076-6-895 | 3/3 |
| | | | |
| HRS HIROSE ELECTRIC CO., LTD. | | | |

X-ON Electronics

Largest Supplier of Electrical and Electronic Components

Click to view similar products for [Board to Board & Mezzanine Connectors](#) category:

Click to view products by [Hirose](#) manufacturer:

Other Similar products are found below :

[589158040000018](#) [MDF7C-18P-2.54DSA\(55\)](#) [FCN-230C068-11](#) [FCN-268F012-G/BD](#) [FCN-268F036-G/BD](#) [FCN-268M012-G/0D](#) [FCN-268M024-G/1D](#) [FCN-723J004/1](#) [MIS-048-01-F-D-DP-K](#) [832-10-034-10-001000](#) [FX4C-80S-1.27DSA](#) [FCN-214Q030-G/0](#) [FCN-234P048-G/0](#) [FCN-235D050-G/C](#) [210-93-314-41-105000](#) [2-22603-0](#) [MDF7-40DP-2.54DSA\(55\)](#) [AXG720047](#) [MIT-114-03-F-D-K](#) [55323-1519](#) [DF33-2P-3.3DSA\(24\)](#) [YFT-20-05-H-03-SB-K](#) [503308-3040](#) [026-6203-PDB](#) [027-6203-PDB](#) [069159702701000](#) [10123981-102LF](#) [101A10019X](#) [55650-0588-C](#) [68682-310LF](#) [68684-306](#) [75140-7012](#) [87471-650](#) [YTW-30-07-H-Q-410-140](#) [FCN-268F024-G0D](#) [10124054-515LF](#) [68685-603](#) [8-1616154-3](#) [MIS-019-01-F-D](#) [FCN-268M024-G/3D](#) [FCN-268M036-G/BD](#) [20021832-06016C1LF](#) [KX15-20KLDL-E1000E](#) [AXE810124](#) [FCN-214J100-G/0](#) [FCN-230C068-E/S](#) [AXE812124](#) [AXE816124](#) [AXE720127](#) [354184](#)