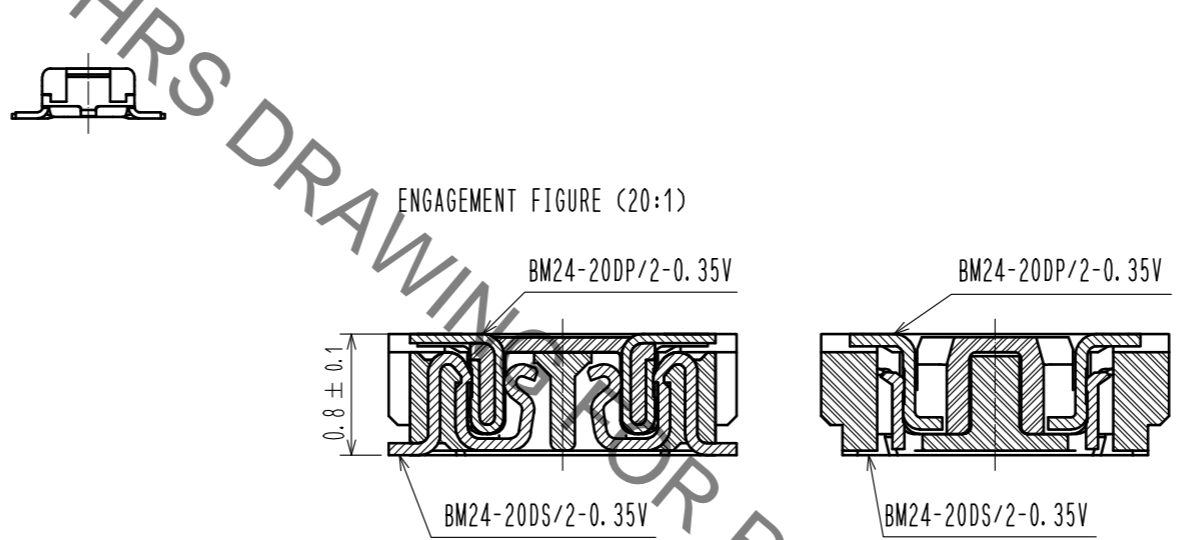
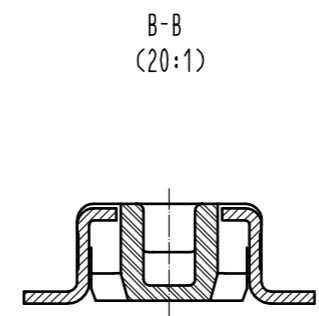
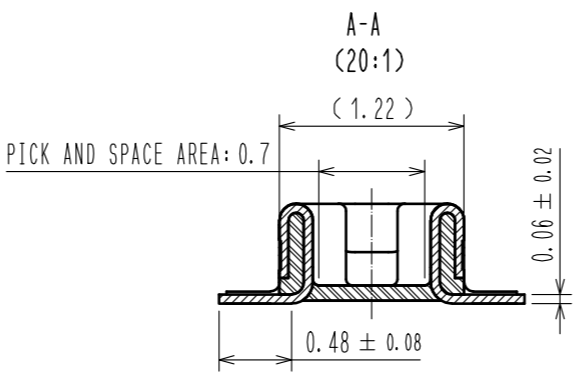
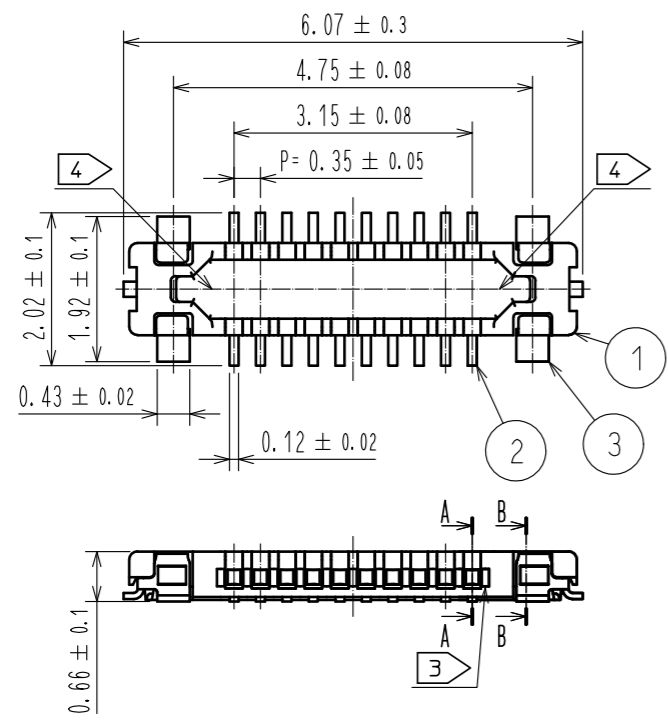
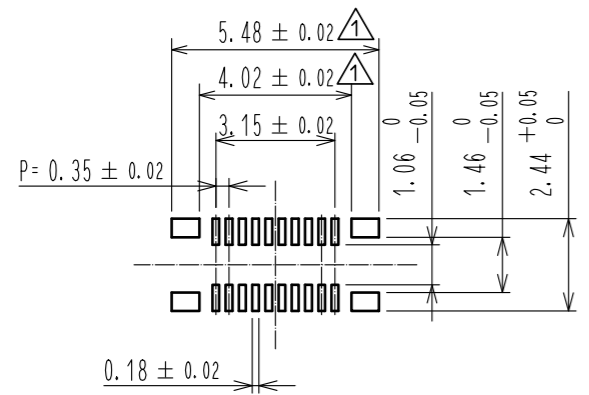


Jan.1.2022 Copyright 2022 HIROSE ELECTRIC CO., LTD. All Rights Reserved.  
 In case of consideration for using Automotive equipment / device which demand high reliability, kindly contact our sales window correspondents.

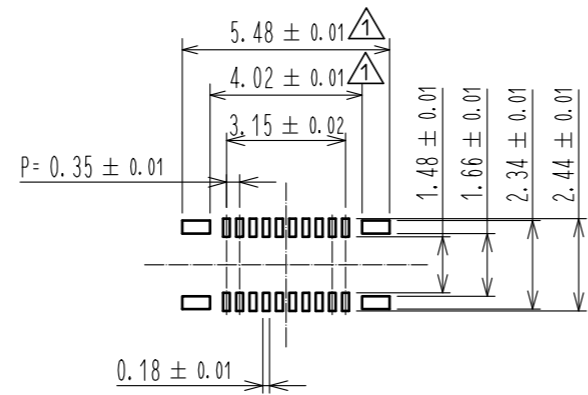


NOTE 1 . ALL LEAD CO-PLANARITY SHALL BE 0.08mm MAX.  
 2 CONTACT PLATING SPECIFICATIONS  
 CONTACT AREA : GOLD 0.05 μm MIN  
 SMT LEAD : GOLD 0.05 μm MIN  
 UNDER PLATING : NICKEL 1 μm MIN  
 ( SURFACE : SEALING )  
 3 A PART OF THE WALL COULD BE NOTCHED.  
 4 HRS MARK AND CAV No. ARE INDICATED IN APPROX. POSITION SHOWN.

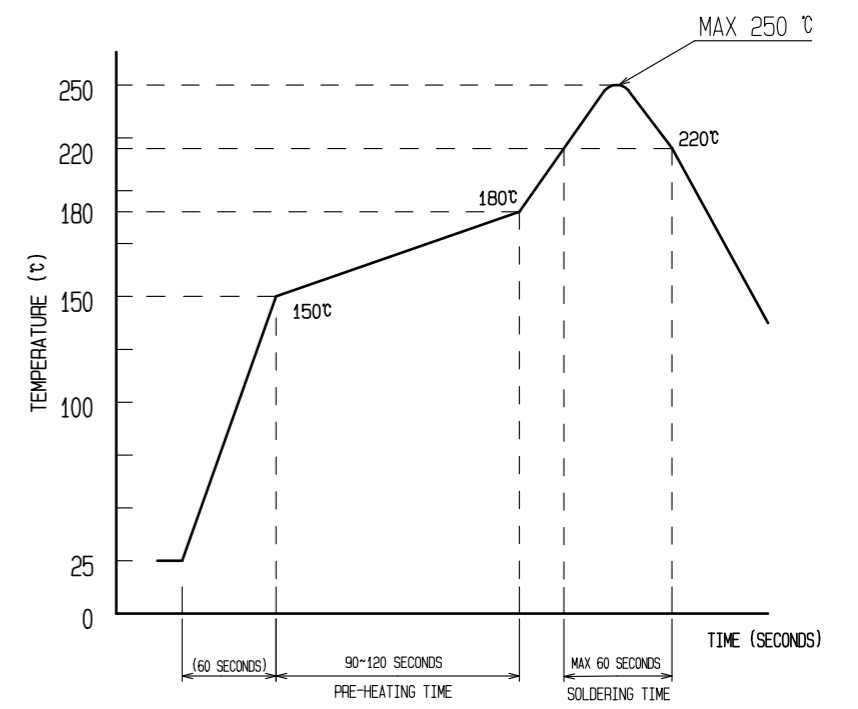
◆ RECOMMENDED PCB LAYOUT



◆ RECOMMENDED METAL MASK DIMENSIONS  
 METAL MASK THICKNESS : 100 μm



5 RECOMMENDED REFLOW TEMPERATURE PROFILE USING LEAD-FREE SOLDER PASTE.



REFLOW METHOD: IR REFLOW  
 NUMBER OF REFLOW CYCLES: 2 CYCLES MAX.  
 1) REFLOW TIME  
 DURATION ABOVE 220°C, 60 SEC MAX.  
 (PEAK TEMPERATURE: 250°C MAX)  
 2) PRE-HEAT TIME  
 PRE-HEAT TEMPERATURE(MIN): 150°C  
 PRE-HEAT TEMPERATURE(MAX): 180°C  
 PRE-HEAT TIME: 90-120 SEC.

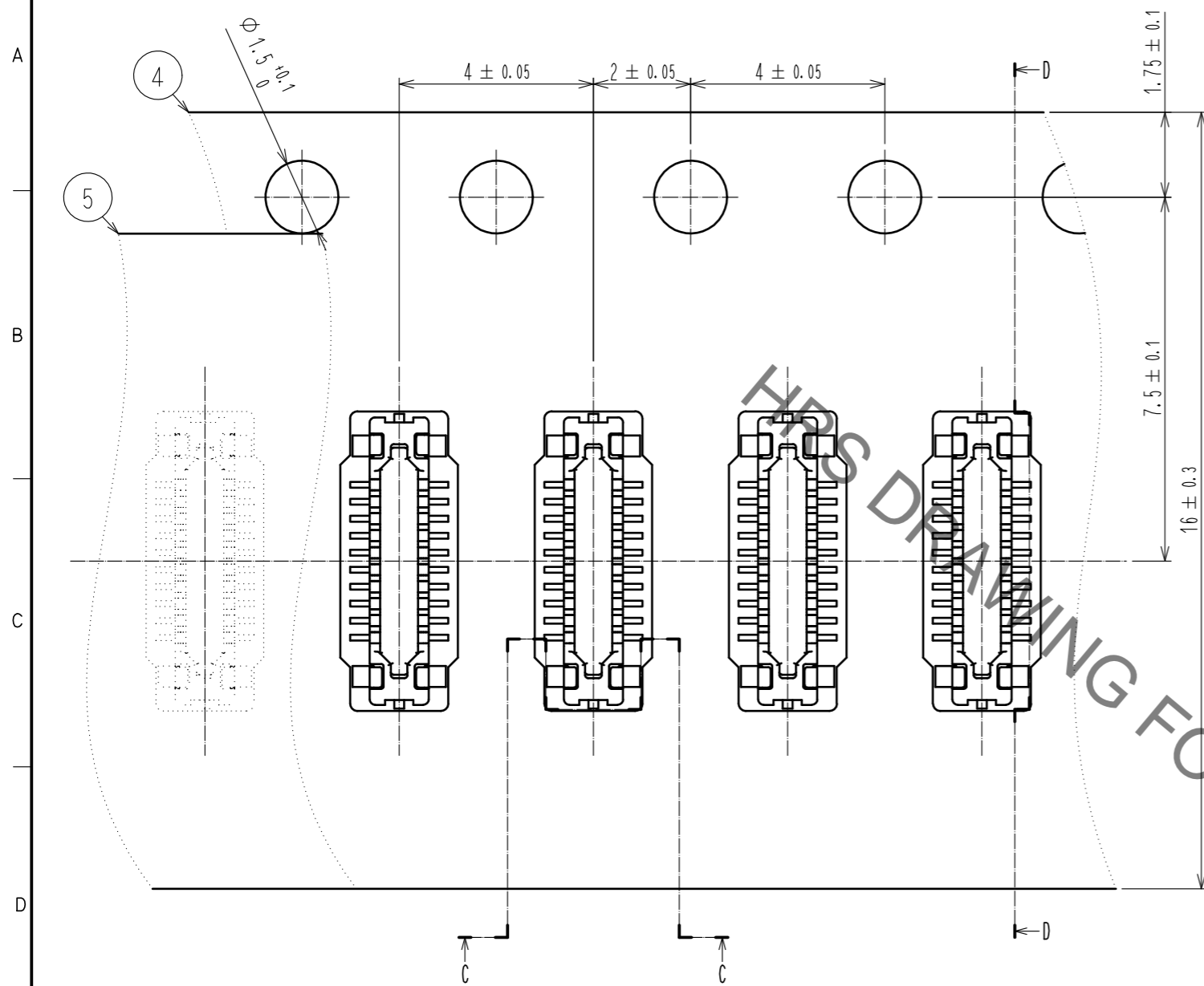
5 THIS TEMPERATURE PROFILE IS PER THE CONDITIONS SHOWN ABOVE. ADDITIONAL FACTORS, SUCH AS SOLDER PASTE TYPE, PCB SIZE AND OTHER MOUNTED COMPONENTS COULD AFFECT THE PROFILE. THEREFORE, A THOROUGH EVALUATION OF MOUNTING COONDITION IS REQUIRED PRIOR TO PRODUCTION. TEPERATURE IS MEASURED AT CONTACT LEAD.  
 6. PLEASE CONTACT US IN CASE YOU WILL MAKE DIFFERENT SETTINGS FROM OUR RECOMMENDATION.

|                                      |                 |                              |            |  |                              |                         |                    |
|--------------------------------------|-----------------|------------------------------|------------|--|------------------------------|-------------------------|--------------------|
| 4                                    | PS              | CLEAR(EMBOSSED CARRIER TAPE) |            |  |                              |                         |                    |
| 3                                    | COPPER ALLOY    | 2                            | 7          | PS   | CLEAR (REINFORCEMENT COLLAR) |                         |                    |
| 2                                    | PHOSPHOR BRONZE | 2                            | 6          | PS   | BLACK (PLASTIC REEL)         |                         |                    |
| 1                                    | LCP             | UL94 V-0, BLACK              | 5          | POLYESTER                                  | CLEAR (COVER TAPE)           |                         |                    |
| NO.                                  | MATERIAL        | FINISH . REMARKS             | NO.        | MATERIAL                                   | FINISH . REMARKS             |                         |                    |
| UNITS<br>mm                          |                 | SCALE<br>10 : 1              | COUNT<br>4 | DESCRIPTION OF REVISIONS<br>DIS-H-00001151 | DESIGNED<br>NY. YAMASHIRO    | CHECKED<br>TS. MIYAZAKI | DATE<br>15. 12. 03 |
| <b>HRS</b> HIROSE ELECTRIC CO., LTD. |                 | APPROVED : KH. IKEDA         | 14. 04. 04 | DRAWING NO.<br>EDC3-352683-02              |                              |                         |                    |
|                                      |                 | CHECED : WR. FUKUCHI         | 14. 04. 04 | PART NO.<br>BM24-20DP/2-0.35V(51)          |                              |                         |                    |
|                                      |                 | DESIGNED : YH. HASEGAWA      | 14. 04. 04 | CODE NO.<br>CL677-2003-4-51                |                              |                         |                    |
|                                      |                 | DRAWN : YH. HASEGAWA         | 14. 04. 04 |  |                              |                         |                    |

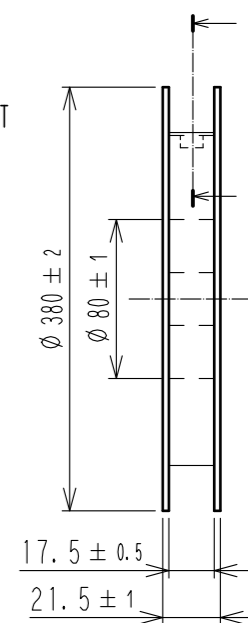
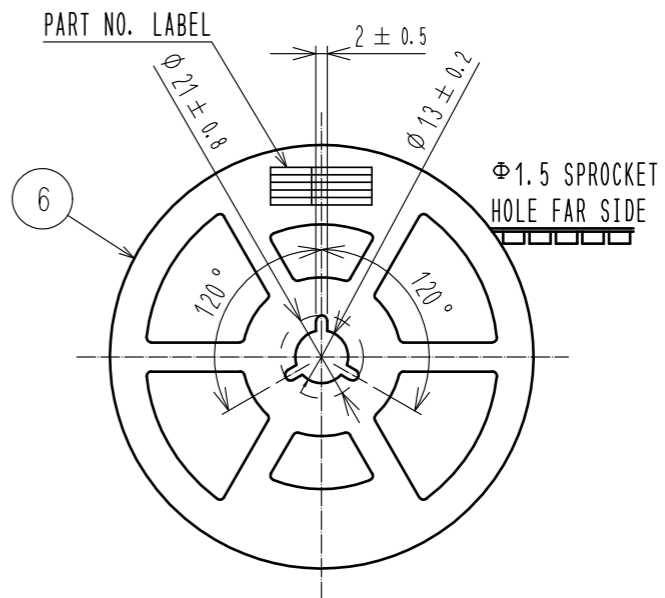
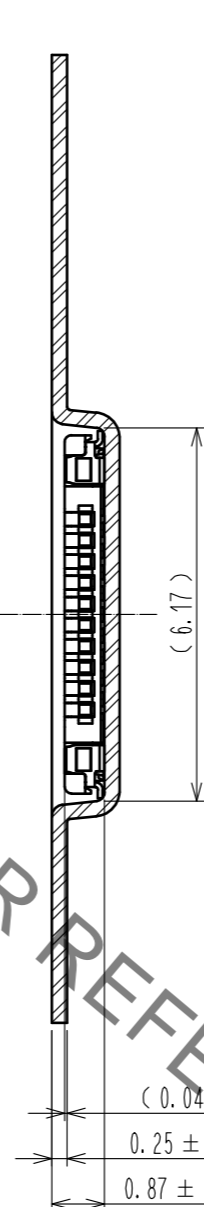
Jan.1.2022 Copyright 2022 HIROSE ELECTRIC CO., LTD. All Rights Reserved.  
 In case of consideration for using Automotive equipment / device which demand high reliability, kindly contact our sales window correspondents.

EMBOSSED CARRIER TAPE PACKAGING (FREE)

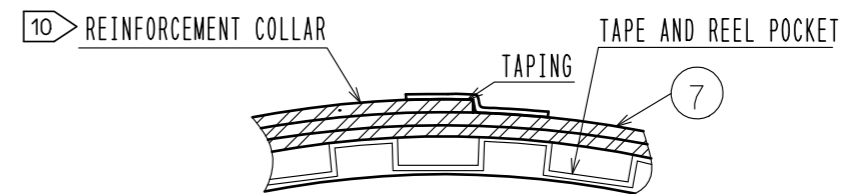
STYLE AND DIMENTION OF REEL (FREE)



D-D (FREE)



E-E (FREE)

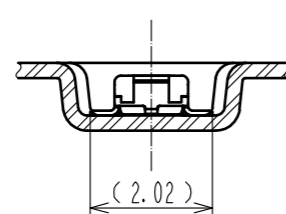


DETAIL OF PART NO. LABEL

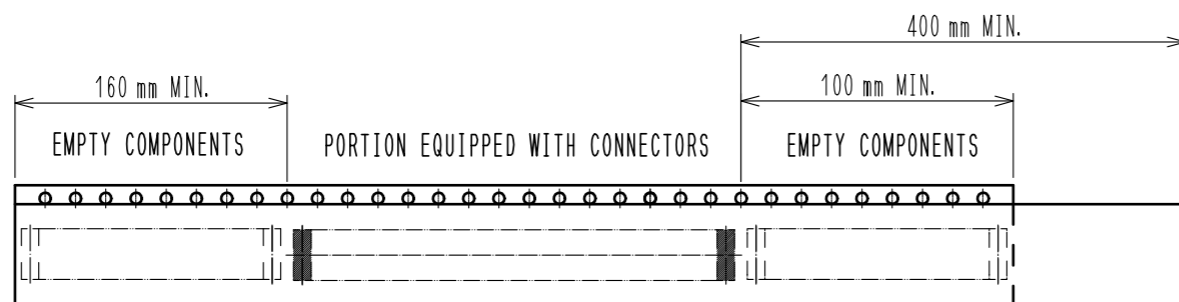
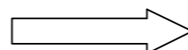
|       |                       |
|-------|-----------------------|
| 製造年月日 | ** ** *               |
| 製品コード | CL0677-2003-4(51)     |
| 製品名   | BM24-20DP/2-0.35V(51) |
| 数量    | 10,000                |
| 納入者   | ヒロセ電機(株)              |

DATA OF MANUFACTURED  
 CODE NO.  
 PART NO.  
 QUANTITY  
 SUPPLIER

C-C (FREE)



DIRECTION OF UNREELING



- 7 . PER REEL 10,000 CONNECTORS.
- 8 . THE DIMENSIONS IN PARENTHESES ARE FOR REFERENCE.
- 9 . REFER TO JIS C 0806(PACKAGING OF COMPONENTS FOR AUTOMATIC HANDLING)
- 10 . AFTER PACKAGING, ROLL 2 METERS OF THE REINFORCEMENT COLLAR TO OUTER CIRCUMFERENCE OF TAPE AND REEL POCKET. AND TAPE DOWN AT THE END THE COLLAR.

|            |             |                       |
|------------|-------------|-----------------------|
| <b>HRS</b> | DRAWING NO. | EDC3-352683-02        |
|            | PART NO.    | BM24-20DP/2-0.35V(51) |
|            | CODE NO.    | CL677-2003-4-51       |
|            |             | 2/2                   |

## X-ON Electronics

Largest Supplier of Electrical and Electronic Components

*Click to view similar products for [Board to Board & Mezzanine Connectors](#) category:*

*Click to view products by [Hirose](#) manufacturer:*

Other Similar products are found below :

[589158040000018](#) [MDF7C-18P-2.54DSA\(55\)](#) [FCN-268F036-G/BD](#) [FCN-268M012-G/0D](#) [FCN-268M024-G/1D](#) [MIS-048-01-F-D-DP-K](#)  
[832-10-034-10-001000](#) [FX4C-80S-1.27DSA](#) [93696-330](#) [224393](#) [FCN-235D050-G/C](#) [210-93-314-41-105000](#) [MDF7-40DP-2.54DSA\(55\)](#)  
[MIT-114-03-F-D-K](#) [55323-1519](#) [026-6203-PDB](#) [027-6203-PDB](#) [069159702701000](#) [101A10019X](#) [105061100000861+](#) [55650-0588-C](#) [75140-](#)  
[7012](#) [87471-650](#) [YTW-30-07-H-Q-410-140](#) [YTT-112-01-H-Q](#) [063209](#) [10124054-515LF](#) [8-1616154-3](#) [MIS-019-01-F-D](#) [YTQ-12103HQ](#)  
[541371078](#) [IL-WX-10PB-HF-B-E1000E](#) [FCN-214J100-G/0](#) [FCN-230C068-E/S](#) [354184](#) [MIT-019-04-F-D-K](#) [P50-028-DDS-TG](#) [53309-2471](#)  
[54546-2071](#) [1586617-1](#) [504208-3010](#) [504208-5010](#) [504248-1010](#) [504248-1210](#) [504248-2010](#) [LST-115-07-S-D](#) [LST-105-07-G-D](#)  
[9159005551906](#) [NDS100-004-BF](#) [93696-730LF](#)