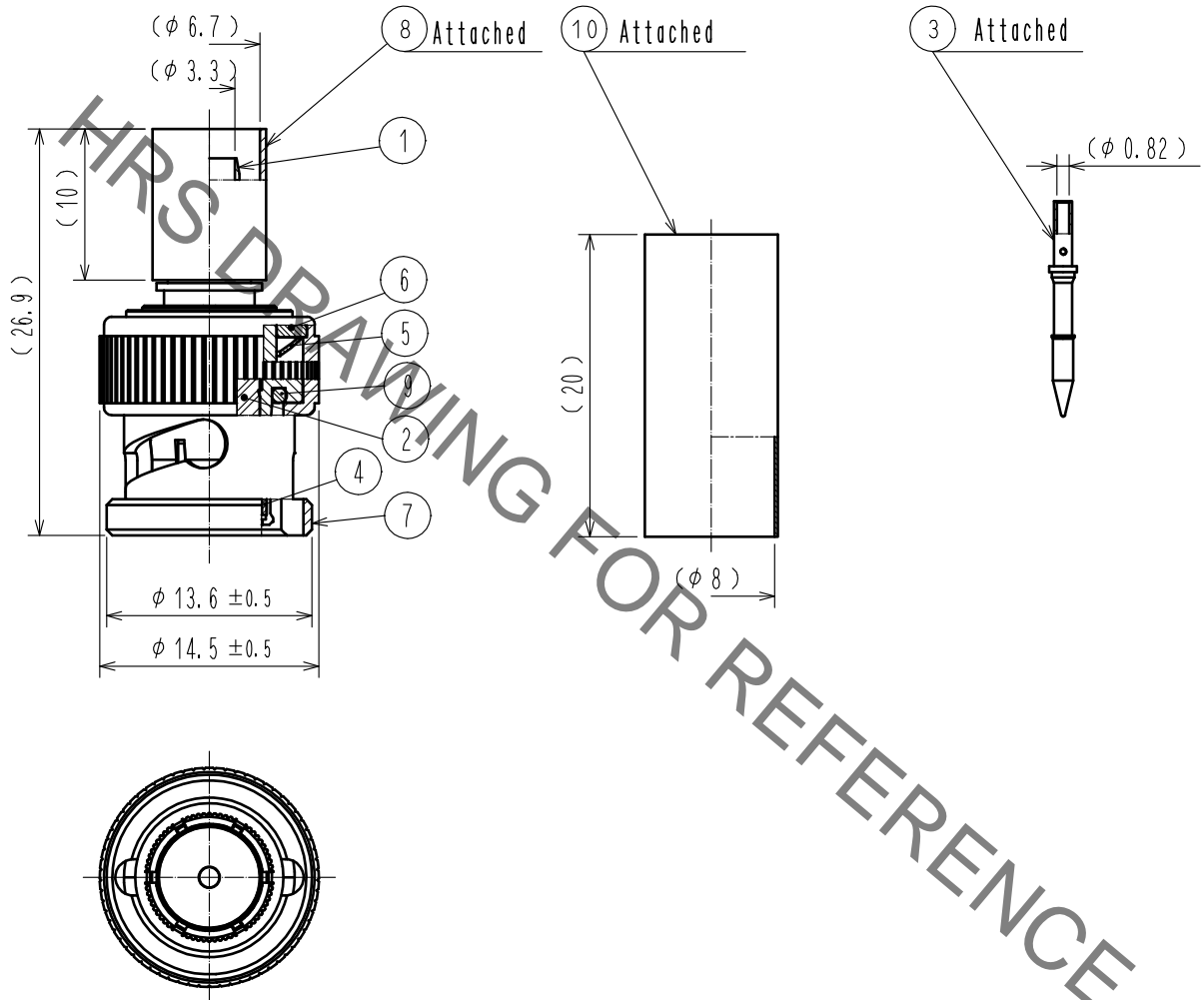


Sep. 1. 2021 Copyright 2021 HIROSE ELECTRIC CO., LTD. All Rights Reserved.
In case of consideration for using Automotive equipment / device which demand high reliability, kindly contact our sales window correspondents.

【 Assemble tool 】 For center contact crimping : body : MIL-DTL-M22520/7-01
 For center contact crimping : positioner : BNC75-12G/CRMD (CL902-3264-0)
 For outer conductor crimping : body : MIL-DTL-M22520/5-01
 For outer conductor crimping : die : MIL-DTL-M22520/5-59

※Other products can be used when die size is 0.255 inch HEX and width 0.4 inch.



5	BERYLLIUM COPPER	SILVER PLATING	10	POLYOLEFIN	HEAT SHRINK TUBING(BLACK)
4	STAINLESS STEEL	NICKEL PLATING	9	SILICONE RUBBER	
3	BRASS	GOLD PLATING	8	COPPER ALLOY	NICKEL PLATING
2	PTFE		7	BRASS	NICKEL PLATING
1	BRASS	NICKEL PLATING	6	BRASS	NICKEL PLATING
NO.	MATERIAL	FINISH . REMARKS	NO.	MATERIAL	FINISH . REMARKS

UNITS mm	SCALE 2 : 1	COUNT	DESCRIPTION OF REVISIONS	DESIGNED	CHECKED	DATE
HRS HIROSE ELECTRIC CO., LTD.	APPROVED : TO. KATAYAMA	20190520	DRAWING NO.	EDC-382287-00-00		
	CHECKED : TO. KATAYAMA	20190520	PART NO.	BNC(75)-P-3.3C-12G		
	DESIGNED : RO. YOKOYAMA	20190520	CODE NO.	CL302-0092-0-00	1/1	
	DRAWN : ST. KISHI	20190520				

X-ON Electronics

Largest Supplier of Electrical and Electronic Components

Click to view similar products for [RF Connectors / Coaxial Connectors](#) category:

Click to view products by [Hirose](#) manufacturer:

Other Similar products are found below :

[8915-1511-000](#) [89674-0827](#) [6001-7071-019](#) [6002-7051-003](#) [6002-7551-202](#) [6059674-1](#) [619550-1](#) [630059-000](#) [M39030/3-01N](#) [6500-7071-046](#) [6769](#) [CX050L2AQ](#) [7002-1542-011](#) [7004-1512-000](#) [7009-1511-004](#) [7010-1511-000](#) [7029-1511-060](#) [7101-1541-010](#) [7101-1571-002](#) [7105-1521-002](#) [7145-1521-002](#) [7203-1571-003](#) [7209-1511-011](#) [7210-1511-015](#) [7210-1511-019](#) [73137-5015](#) [73216-2241](#) [7325-1512-000](#) [73404-2300](#) [7405-1521-005](#) [7405-1521-802](#) [7406-1521-005](#) [8527](#) [8547](#) [FS11V](#) [8808-1511-001](#) [9049-9513-000](#) [9074-9513-000](#) [9101-9573-002](#) [910A205F](#) [9130-9573-002](#) [PL11SC-026](#) [PL375-33](#) [PL40-5](#) [PL71-9](#) [PL74C-221](#) [PL75MC-217](#) [PL803-7](#) [980-8666-005](#) [1200690078](#)