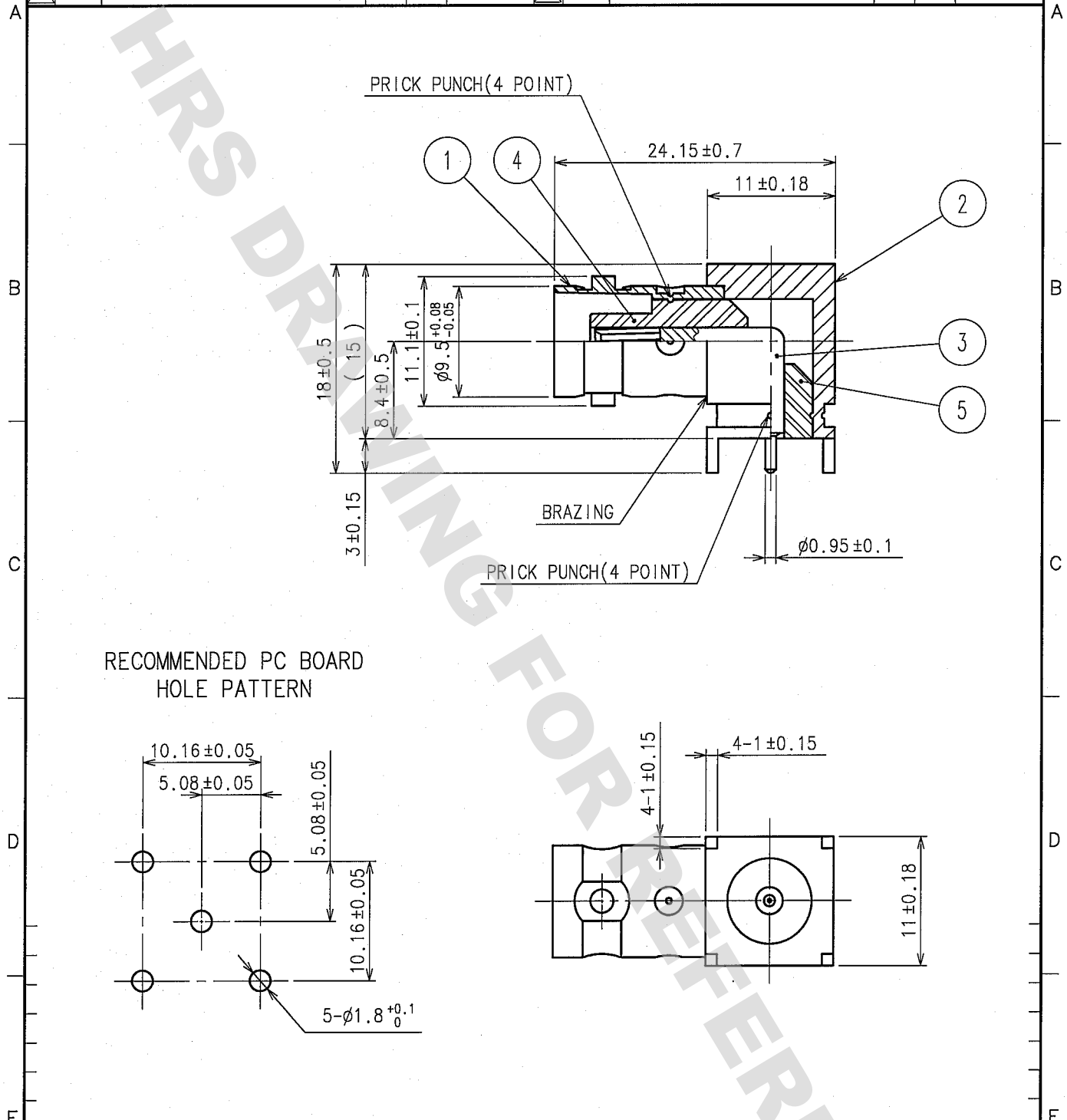


DRAWING FOR REFERENCE: This is subject to change without notice  
08/11/2012

| 1     |                          | 2  |      |      | 3     |                          |    | 4    |      |  |
|-------|--------------------------|----|------|------|-------|--------------------------|----|------|------|--|
| COUNT | DESCRIPTION OF REVISIONS | BY | CHKD | DATE | COUNT | DESCRIPTION OF REVISIONS | BY | CHKD | DATE |  |
| △     |                          |    |      |      | △     |                          |    |      |      |  |
| △     |                          |    |      |      | △     |                          |    |      |      |  |
| △     |                          |    |      |      | △     |                          |    |      |      |  |



RECOMMENDED PC BOARD HOLE PATTERN

| 3   | BERYLLIUM COPPER | SILVER PLATING  |     |          |                 |
|-----|------------------|-----------------|-----|----------|-----------------|
| 2   | BRASS            | NICKEL PLATING  | 5   | PTFE     |                 |
| 1   | BRASS            | NICKEL PLATING  | 4   | PTFE     |                 |
| NO. | MATERIAL         | FINISH, REMARKS | NO. | MATERIAL | FINISH, REMARKS |

|                      |   |  |  |  |          |
|----------------------|---|--|--|--|----------|
| CODE NO. (OLD)<br>CL | DRAWN<br><i>y. Sugiyama</i><br>05.11.04 | DESIGNED<br><i>T. Katayama</i><br>05.11.04 | CHECKED<br><i>H. Shimizu</i><br>05.11.09 | APPROVED<br><i>S. Mitani</i><br>05.11.11 | RELEASED |
| RoHS COMPLIANT       |   |  |  |  |          |

|                                   |                               |                             |
|-----------------------------------|-------------------------------|-----------------------------|
| <br>SACLE<br>2 : 1<br>UNITS<br>mm | DRAWING NO.<br>EDC4-022246-40 | PART NO.<br>BNC-LR-PC-1(40) |
|                                   | <br>HIROSE ELECTRIC CO., LTD. | CODE NO.<br>CL302-0262-4-40 |

|    |
|----|
| TO |
| RF |
|    |
|    |



## X-ON Electronics

Largest Supplier of Electrical and Electronic Components

*Click to view similar products for [RF Connectors / Coaxial Connectors](#) category:*

*Click to view products by [Hirose](#) manufacturer:*

Other Similar products are found below :

[8915-1511-000](#) [89674-0827](#) [6001-7071-019](#) [6002-7051-003](#) [6002-7551-202](#) [6059674-1](#) [619550-1](#) [630059-000](#) [M39030/3-01N](#) [6500-7071-046](#) [6769](#) [CX050L2AQ](#) [7002-1542-011](#) [7004-1512-000](#) [7009-1511-004](#) [7010-1511-000](#) [7029-1511-060](#) [7101-1541-010](#) [7101-1571-002](#) [7105-1521-002](#) [7145-1521-002](#) [7203-1571-003](#) [7209-1511-011](#) [7210-1511-015](#) [7210-1511-019](#) [73137-5015](#) [73216-2241](#) [73404-2300](#) [7405-1521-005](#) [7405-1521-802](#) [8527](#) [8547](#) [FS11V](#) [8808-1511-001](#) [9049-9513-000](#) [9074-9513-000](#) [9101-9573-002](#) [910A205F](#) [9130-9573-002](#) [PL11SC-026](#) [PL375-33](#) [PL40-5](#) [PL74C-221](#) [PL75MC-217](#) [PL803-7](#) [980-8666-005](#) [1200690078](#) [1-201144-1](#) [R107003010W](#) [R110A172100](#)