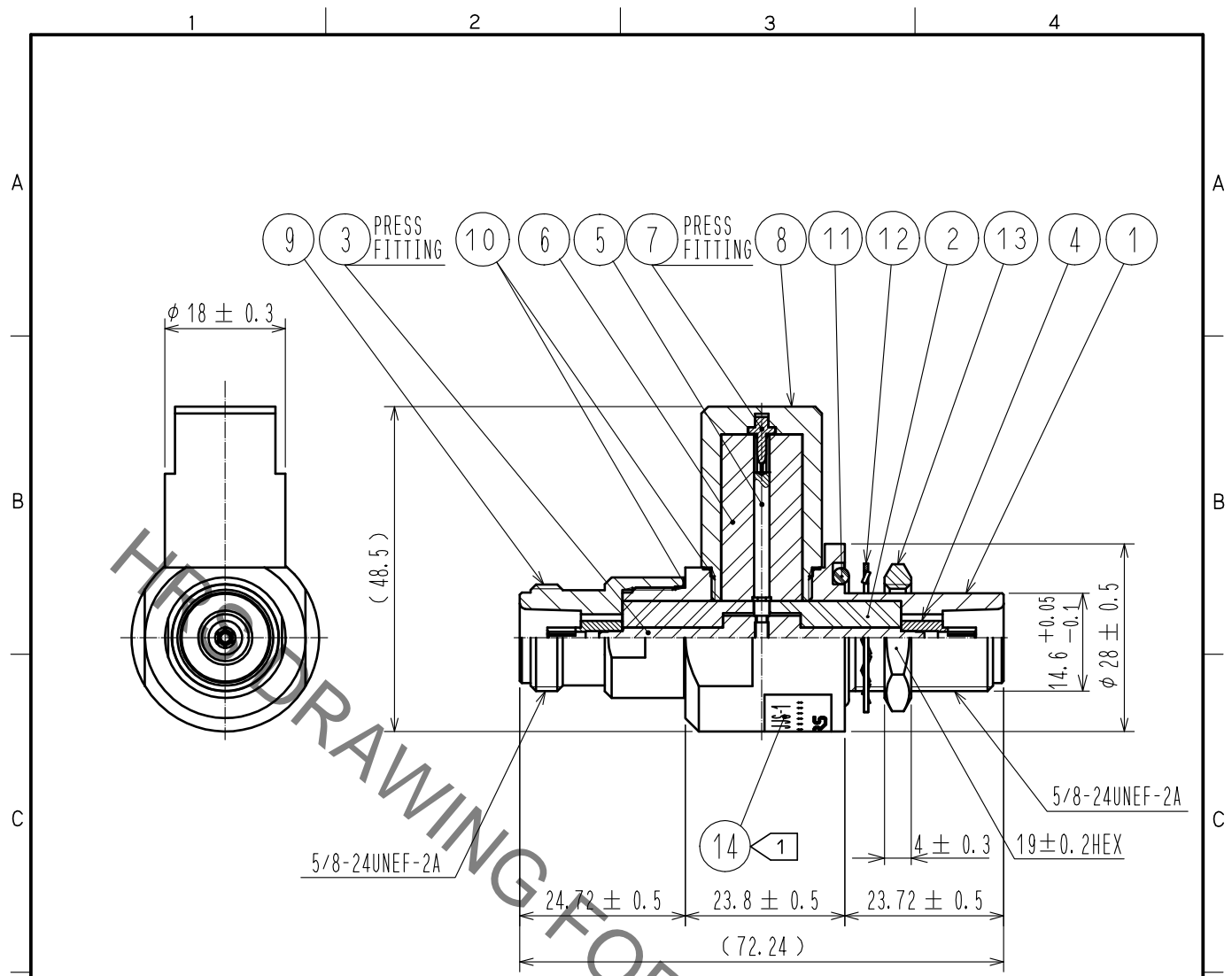


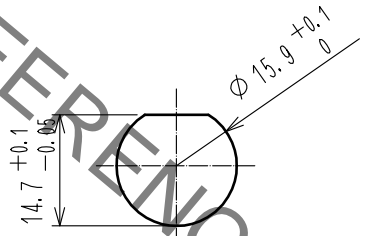
Jan.1.2022 Copyright 2022 HIROSE ELECTRIC CO., LTD. All Rights Reserved.
 In case of consideration for using Automotive equipment / device which demand high reliability, kindly contact our sales window correspondents.



注 1 Indication of label.
 ・ CP-N-JJS-1
 ・ S.NO. *****
 ・ HRS

2. Maximum panel thickness is 7mm.
 Recommended dimension of panel cutout is shown in the right drawing.
 Do not leave any scratches on the surface of a panel, which O-ring of Ref. no. of 11 contacts.
3. If an O-ring came off a groove of a device during transport, please put it back in place and use the device.

RECOMMENDED PANEL CUTOUT



RoHS COMPLIANT

7	BRASS	GOLD PLATING	14		LABEL
6	PTFE		13	BRASS	NICKEL PLATING
5	PHOSPHOR BRONZE	GOLD PLATING	12	STAINLESS STEEL	PASSIVATE
4	BERYLLIUM COPPER	GOLD PLATING	11	SILICONE RUBBER	
3	BRASS	GOLD PLATING	10	SILICONE RUBBER	
2	PTFE		9	BRASS	NICKEL PLATING
1	BRASS	NICKEL PLATING	8	BRASS	NICKEL PLATING
NO.	MATERIAL	FINISH . REMARKS	NO.	MATERIAL	FINISH . REMARKS

UNITS mm	SCALE 1 : 1	COUNT	DESCRIPTION OF REVISIONS	DESIGNED	CHECKED	DATE
HIROSE ELECTRIC CO., LTD.			APPROVED : KY. SHIMIZU 16.03.11 CHECKED : TO. KATAYAMA 16.03.10 DESIGNED : YI. FUNADA 16.03.09 DRAWN : YI. FUNADA 16.03.09	DRAWING NO. EDC-178986-00-00 PART NO. CP-N-JJS-1 CODE NO. CL355-0134-0-00	1/1	

X-ON Electronics

Largest Supplier of Electrical and Electronic Components

Click to view similar products for [RF Adapters - In Series](#) category:

Click to view products by [Hirose](#) manufacturer:

Other Similar products are found below :

[5916-1103-603](#) [5918-1103-000](#) [5919-1503-000](#) [651A505](#) [82-5552](#) [9030-9523-502](#) [A0407000](#) [R114703000W](#) [R125704000](#) [R125771001](#)
[R141710000W](#) [R141723161](#) [R141730000](#) [R143730700](#) [R143770000](#) [R161703000W](#) [R161730000](#) [R161753000W](#) [R161791530W](#)
[R201705000](#) [R222705200](#) [R222M40010W](#) [R316754000](#) [R405006000](#) [R443162000](#) [AD78TL](#) [HRM-513S](#) [1996352-2](#) [2157155-1](#) [252169-75](#)
[AD158](#) [2101130-1](#) [252186](#) [R114704000W](#) [R114720000W](#) [R125705001](#) [R125705701](#) [R125771000](#) [R125771001W](#) [R125791501W](#)
[R127704001](#) [R127.870.001](#) [R127872001](#) [R141717000](#) [R142710000](#) [R142723000](#) [R143703000](#) [R143704000](#) [R143705700](#) [R143710000](#)