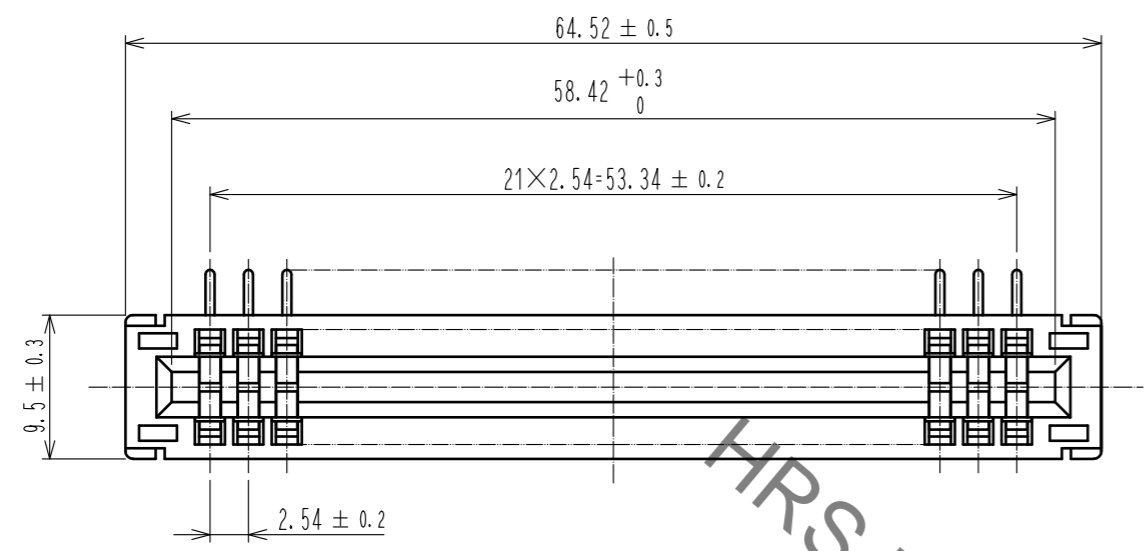
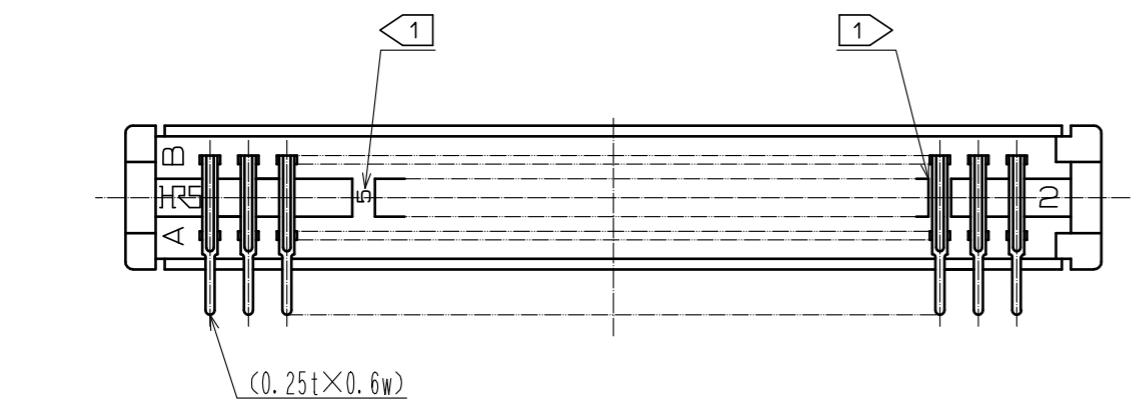
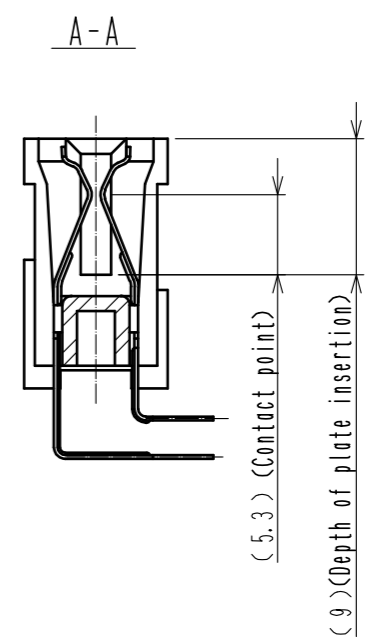
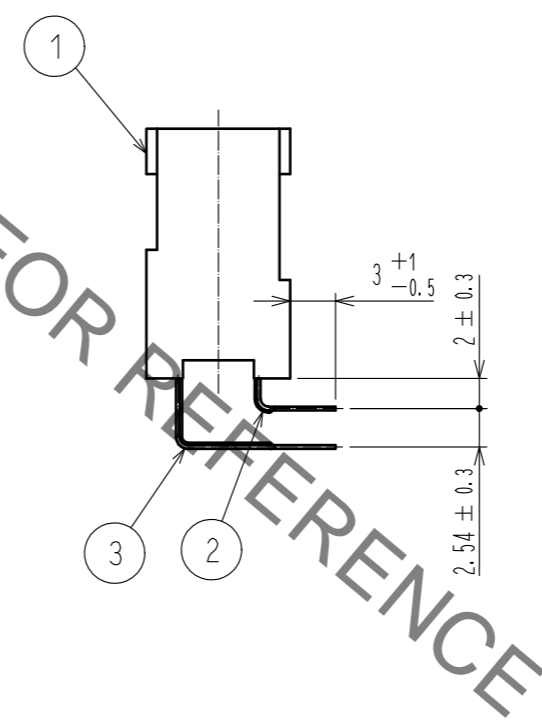
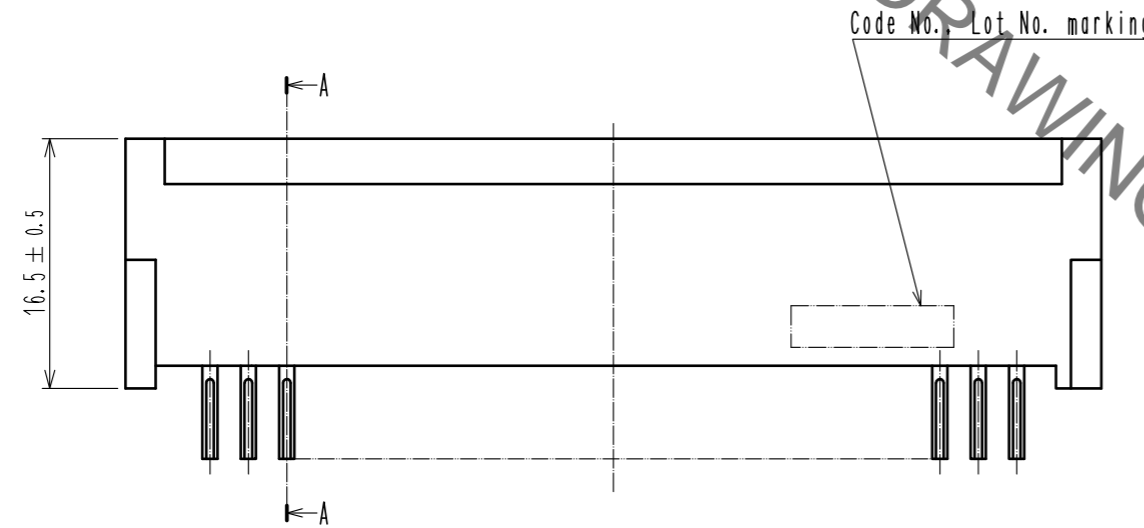
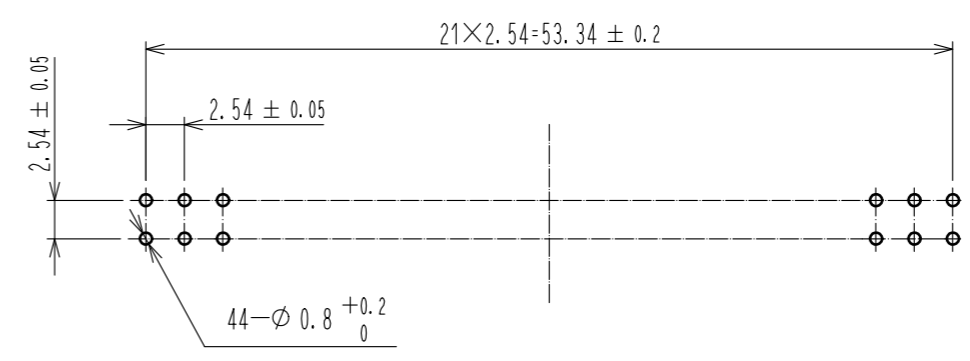


Aug.1.2021 Copyright 2021 HIROSE ELECTRIC CO., LTD. All Rights Reserved.  
 In case of consideration for using Automotive equipment / device which demand high reliability, kindly contact our sales window correspondents.



Recommended PC board hole pattern (t=1.6±0.1)



- Notes
- 1 Contact No. (5, 10, 15, 20) are shown.
  - 2 A polarizing key inserted between the following contact positions. (5 to 6), (10 to 11), (15 to 16), (20 to 21).
  - 3 The dimensions in parentheses are for reference.

2	PHOSPHOR BRONZE	(Contact area) Ni 2.5μm+Au 0.05μm (Mounting area) Ni 2.5μm+Sn 2μm	3	PHOSPHOR BRONZE	(Contact area) Ni 2.5μm+Au 0.05μm (Mounting area) Ni 2.5μm+Sn 2μm			
1	PBT	BLACK UL94V-0						
NO.	MATERIAL	FINISH . REMARKS	NO.	MATERIAL	FINISH . REMARKS			
UNITS		SCALE	COUNT	DESCRIPTION OF REVISIONS		DESIGNED	CHECKED	DATE
mm		2 : 1	△					
<b>HRS</b> HIROSE ELECTRIC CO., LTD.		APPROVED : HT. YAMAGUCHI	18.06.25	DRAWING NO. EDC-018062-70-01				
		CHECKED : HT. YAMAGUCHI	18.06.25	PART NO. CR22A-44D-2.54DSA(70)				
		DESIGNED : TY. EDAGAWA	18.06.25	CODE NO. CL522-0037-9-70				
		DRAWN : MK. OKI	18.06.21					

## X-ON Electronics

Largest Supplier of Electrical and Electronic Components

*Click to view similar products for [Standard Card Edge Connectors](#) category:*

*Click to view products by [Hirose](#) manufacturer:*

Other Similar products are found below :

[CR7E-30DB-3.96E\(72\)](#) [6565204-6](#) [PKC-156](#) [1437274-4](#) [147889-1](#) [1489165-4](#) [EBT15622B2X](#) [1-582587-1](#) [284-0102-12100](#)  
[306022901000000](#) [307-012-502-202](#) [307-056-520-300](#) [245-062-520-350](#) [287-0032-12101](#) [306-028-525-102](#) [307-072-526-202](#) [345-060-559-](#)  
[303](#) [392-008-559-201](#) [534671-1](#) [341-240-317](#) [345-044-500-300](#) [346-240-318](#) [395-100-524-300](#) [09-07-2032](#) [10035388-802LF](#) [10122859-](#)  
[009LF](#) [10127905-B04B24BLF](#) [530555-1](#) [5-678046-1](#) [73726-0005](#) [66308-1](#) [1-1437275-6](#) [PEC-07-02-T-S-A](#) [346-014-520-801](#) [307-048-502-](#)  
[202](#) [CE100F22-9-C](#) [CE100F26-7-C](#) [CE100F28-3-D](#) [CE156F18-9-C](#) [CE156F22-5-D](#) [CE156F22-9-C](#) [CT100F22-2-D](#) [CT100F22-3-D](#)  
[CT100F24-2-D](#) [CT100F24-3-D](#) [CT100F24-6-C](#) [CT156F22-4-D](#) [MLSS100-12-C](#) [MLSS100-16-C](#) [SCC100F-11-C](#)