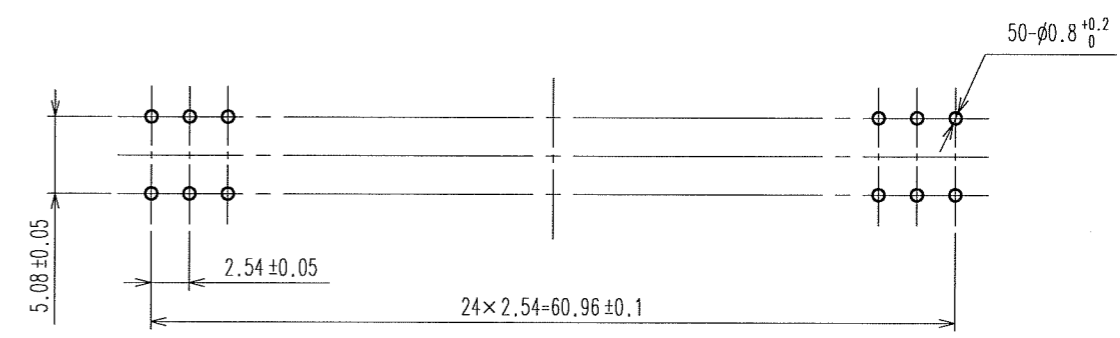
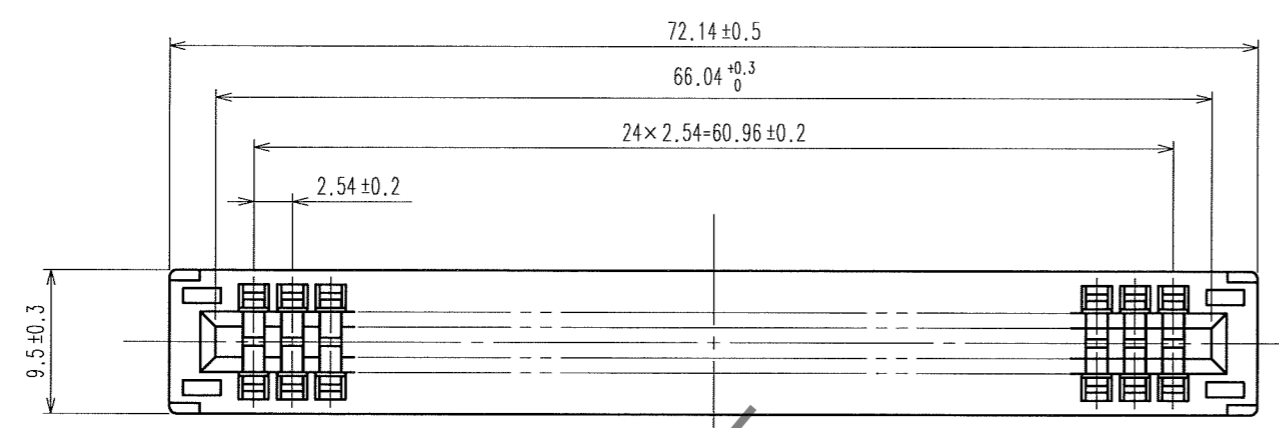
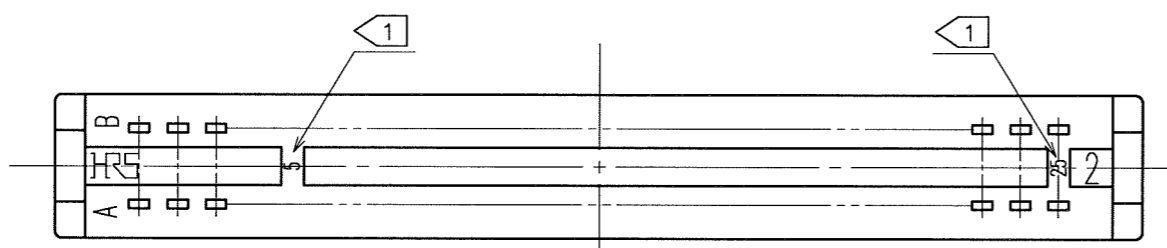
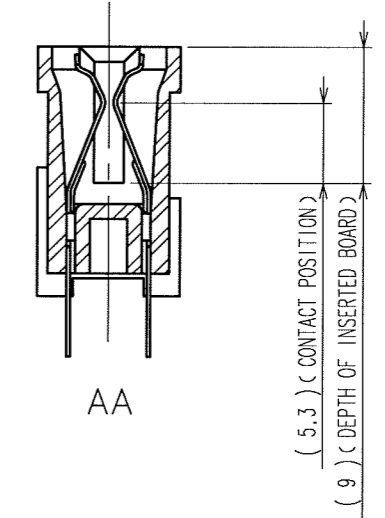
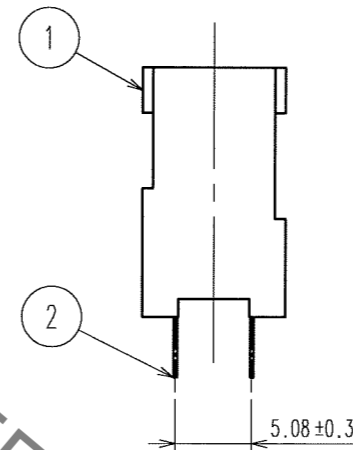
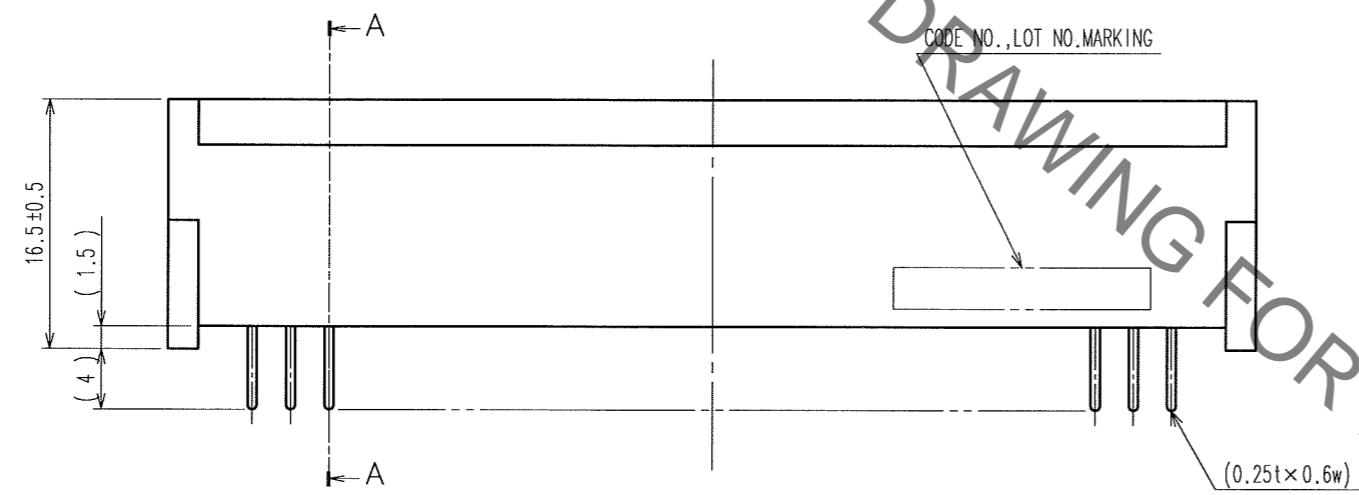


Aug.1.2021 Copyright 2021 HIROSE ELECTRIC CO., LTD. All Rights Reserved.
In case of consideration for using Automotive equipment / device which demand high reliability, kindly contact our sales window correspondents.

COUNT	DESCRIPTION OF REVISIONS	BY	CHKD	DATE	COUNT	DESCRIPTION OF REVISIONS	BY	CHKD	DATE



RECOMMENDED PC BOARD HOLE PATTERN (t=1.6±0.1)



NOTE 1 CONTACT NO. (5, 10, 15, 20, 25)
2 A POLARIZING KEY INSERTED BETWEEN THE FOLLOWING CONTACT POSITIONS. (5~6), (10~11), (15~16), (20~21)

NO.	MATERIAL	FINISH, REMARKS
2	PHOSPHOR BRONZE	CONTACT AREA: Ni2.5μ m+Au0.03μ m DIP AREA: Ni2.5μ m+Sn2μ m
1	PBT	BLACK UL94V-0

CODE NO. (OLD) CL	DRAWN H.Saitou 06.06.06	DESIGNED H.Saitou 06.06.06	CHECKED <i>J. Tomieda</i> 06.06.19	APPROVED <i>K. Shijima</i> 06.06.19	RELEASED ..
SCALE 2 : 1 UNITS mm	DRAWING NO. EDC3-017785-01		PART NO. CR22A-50D-2.54DS(70)		
	HRS HIROSE ELECTRIC CO., LTD		CODE NO. CL522-0004-0-70		1/1

X-ON Electronics

Largest Supplier of Electrical and Electronic Components

Click to view similar products for [Standard Card Edge Connectors](#) category:

Click to view products by [Hirose](#) manufacturer:

Other Similar products are found below :

[CR7E-30DB-3.96E\(72\)](#) [6364499-1](#) [6565204-6](#) [PKC-156](#) [1437274-4](#) [147889-1](#) [1489165-4](#) [EBT15622B2X](#) [1-582587-1](#) [284-0102-12100](#)
[286-0052-12101A](#) [306022901000000](#) [307-012-502-202](#) [307-056-520-300](#) [2129318-1](#) [245-062-520-350](#) [287-0032-12101](#) [306-028-525-102](#)
[307-072-526-202](#) [345-060-559-303](#) [392-008-559-201](#) [534671-1](#) [341-240-317](#) [345-044-500-300](#) [346-240-318](#) [395-100-524-300](#) [09-07-2032](#)
[10035388-802LF](#) [10122859-009LF](#) [10127905-B04B24BLF](#) [530555-1](#) [5-678046-1](#) [73726-0005](#) [66308-1](#) [1-1437275-6](#) [PEC-07-02-T-S-A](#)
[346-014-520-801](#) [307-048-502-202](#) [CE100F22-9-C](#) [CE100F26-7-C](#) [CE100F28-3-D](#) [CE156F18-9-C](#) [CE156F22-5-D](#) [CE156F22-9-C](#)
[CT100F22-2-D](#) [CT100F22-3-D](#) [CT100F24-2-D](#) [CT100F24-3-D](#) [CT100F24-6-C](#) [CT156F22-4-D](#)