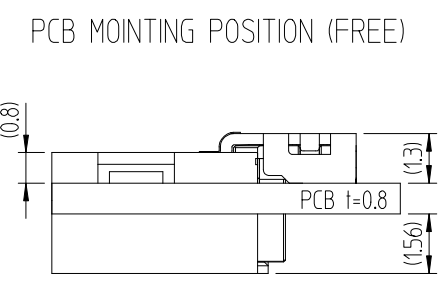
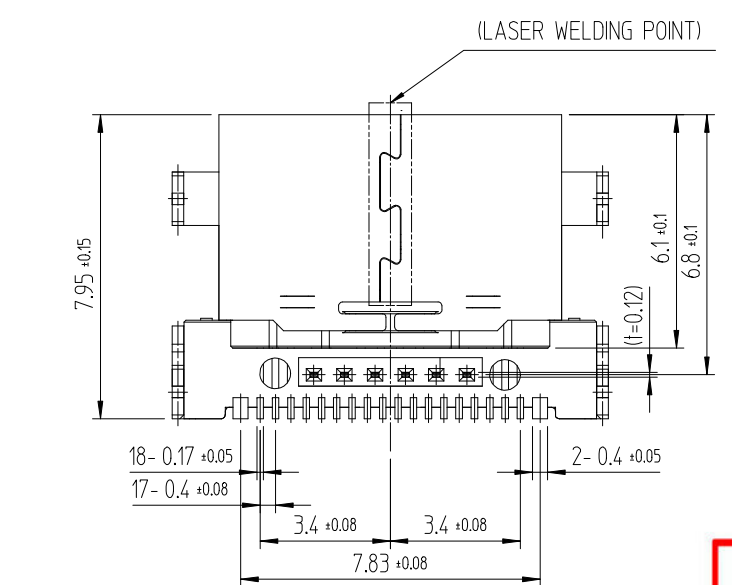
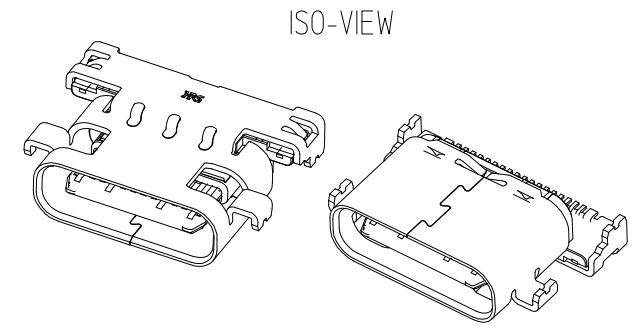
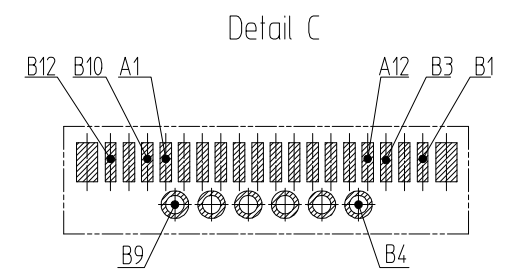
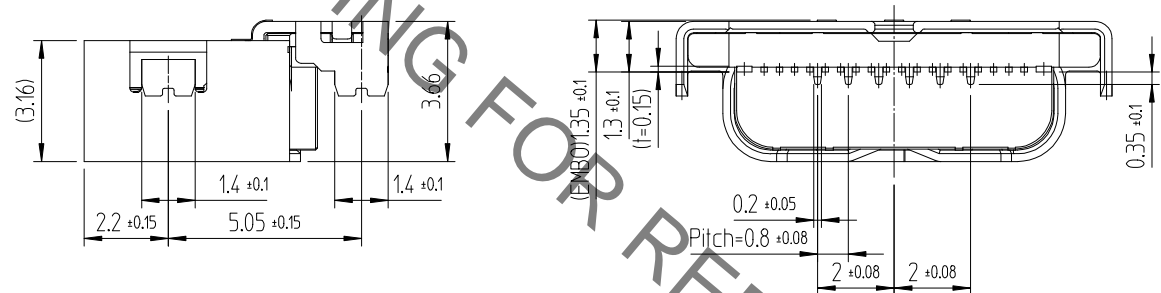
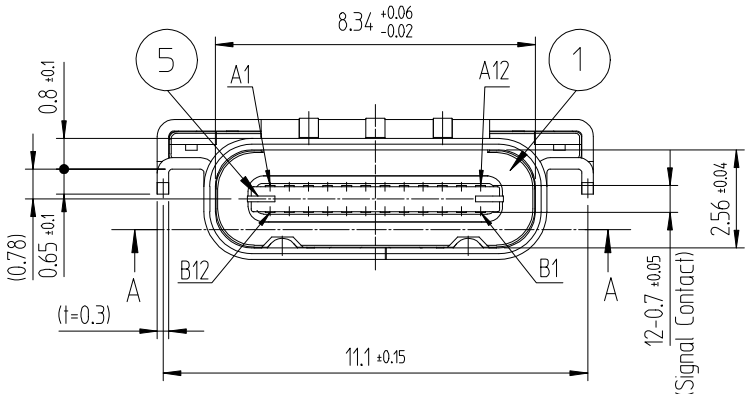
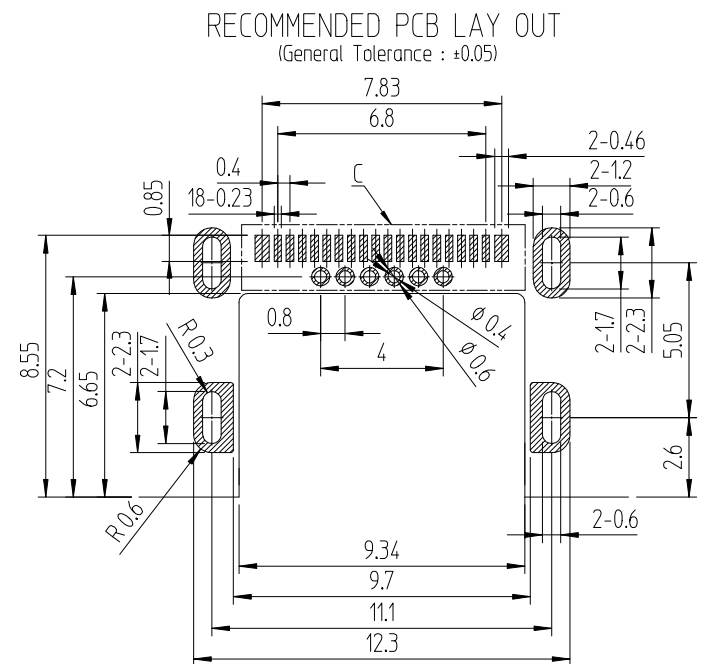
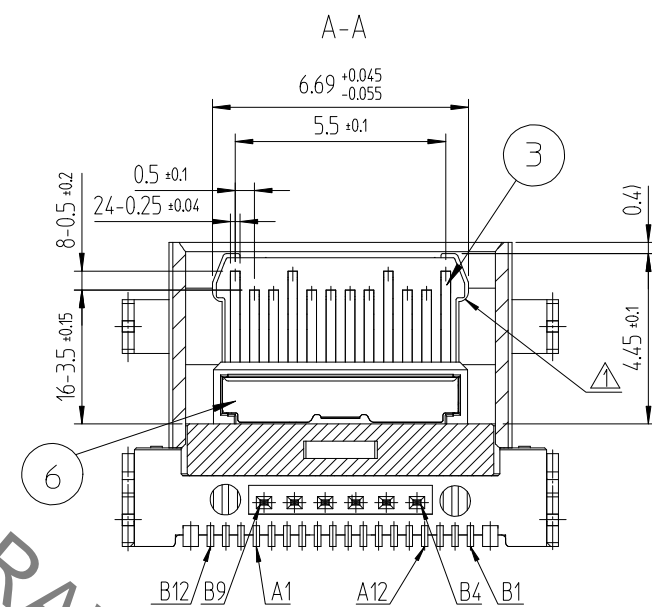
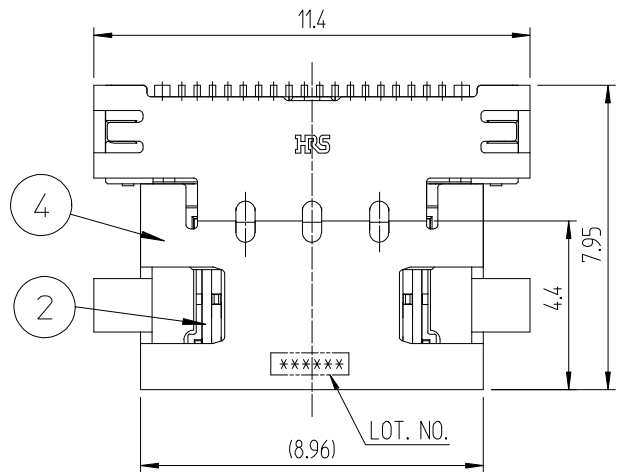


Aug.1.2021 Copyright 2021 HIROSE ELECTRIC CO., LTD. All Rights Reserved.
In case of consideration for using Automotive equipment / device which demand high reliability, kindly contact our sales window correspondents.

△數 COUNT	訂正事項 DISCRIPTION OF REVISIONS	擔當 B	檢圖 CHKD	年月日 DATE	△數 COUNT	訂正事項 DISCRIPTION OF REVISIONS	擔當 B	檢圖 CHKD	年月日 DATE
1	[RE-2-0831]	LCE	LHJ	15.12.10					



NOTE) 1. LEAD CO-PLANARITY SHALL BE 0.08MAX.
2. PER REEL : 1,500 CONNECTORS.
3. GENERAL TOLERANCE : ±0.15

4	STAINLESS STEEL	Ni-5	8	PS	COVER TAPE
3	COPPER ALLOY	Contact : Ni1-5+Pd-Ni0.75Min+Au0.05Min Lead : Ni1-5+Au0.05Min	7	PS	EMBOSS CARRIER TAPE
2	COPPER ALLOY	Contact : Ni1-5+Pd-Ni0.75Min+Au0.05Min Lead : Ni1-5+Au0.05Min	6	STAINLESS STEEL	Ni1-5
1	LCP	UL94V-0,COLOR BLACK	5	STAINLESS STEEL	Other Ni1-5 / LEAD Ni1-5+Au 0.03Min
NO.	MATERIAL	FINISH,REMARKS	NO.	MATERIAL	FINISH,REMARKS

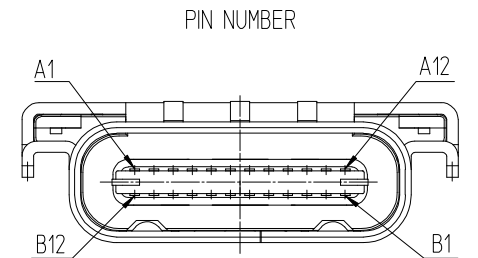
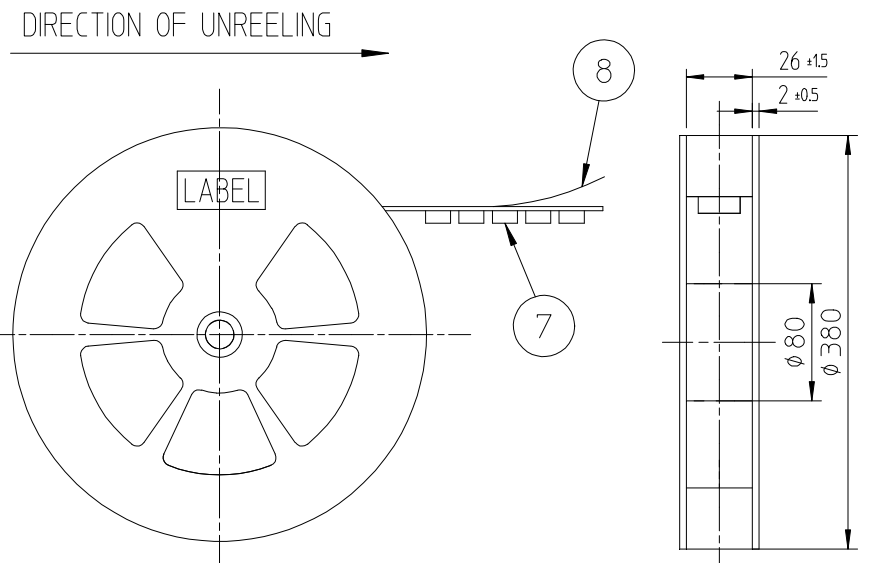
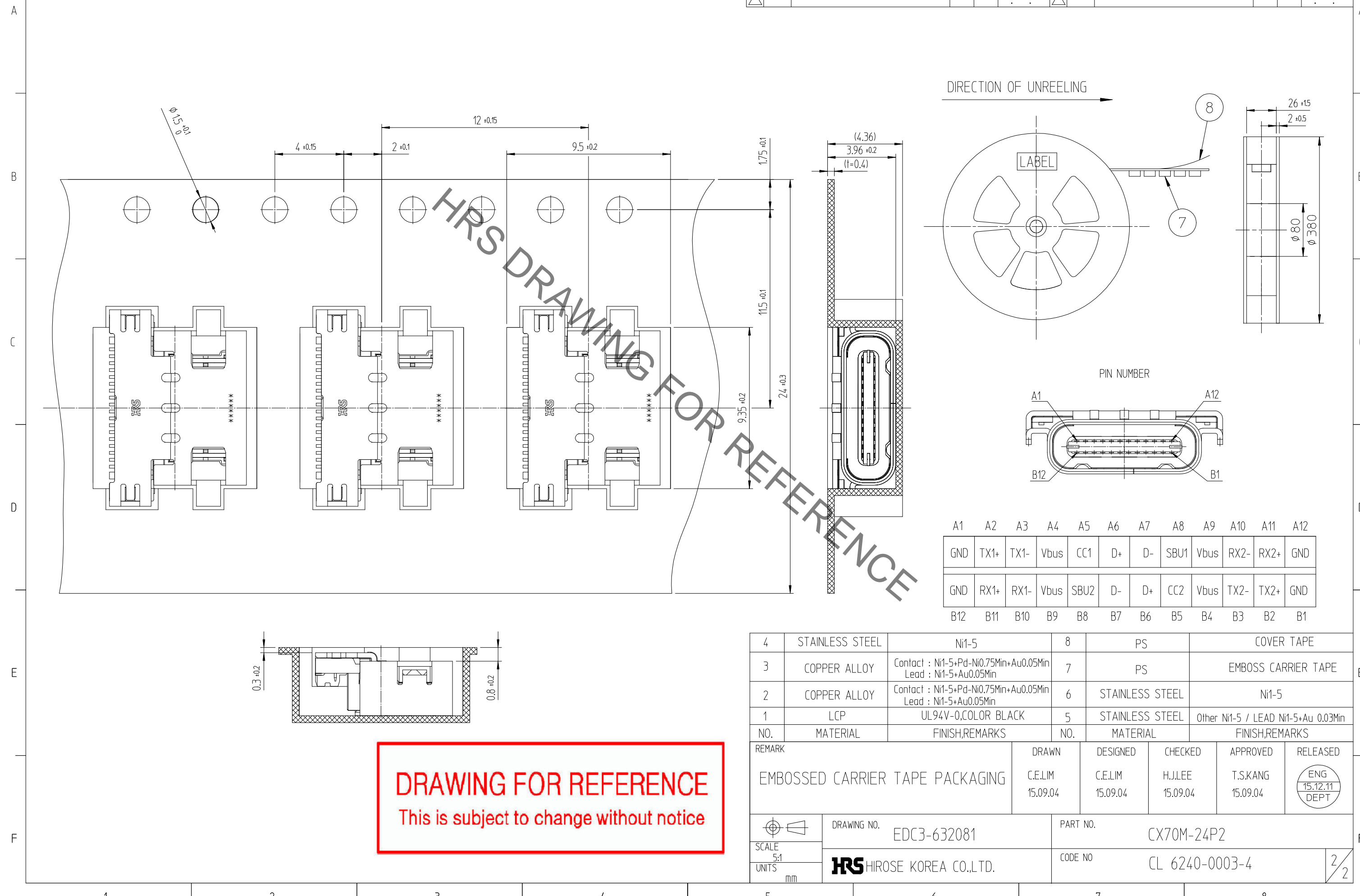
REMARK	DRAWN	DESIGNED	CHECKED	APPROVED	RELEASED
	C.E.LIM 15.09.04	C.E.LIM 15.09.04	H.J.LEE 15.09.04	T.S.KANG 15.09.04	ENG 15.12.11 DEPT

	DRAWING NO.	EDC3-632081	PART NO.	CX70M-24P2
SCALE 5:1	HRS HIROSE KOREA CO.,LTD.		CODE NO	CL 6240-0003-4
UNITS mm				1/2

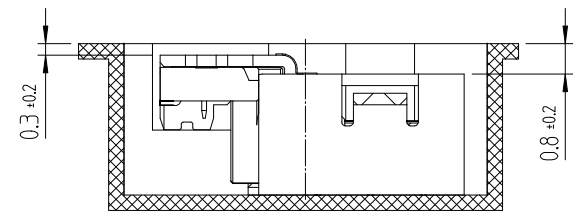
DRAWING FOR REFERENCE
This is subject to change without notice

Aug.1.2021 Copyright 2021 HIROSE ELECTRIC CO., LTD. All Rights Reserved.
In case of consideration for using Automotive equipment / device which demand high reliability, kindly contact our sales window correspondents.

△數 COUNT	訂正事項 DISCRIPTION OF REVISIONS	擔當 B	檢圖 CHKD	年月日 DATE	△數 COUNT	訂正事項 DISCRIPTION OF REVISIONS	擔當 B	檢圖 CHKD	年月日 DATE
△				. .	△				. .
△				. .	△				. .
△				. .	△				. .



A1	A2	A3	A4	A5	A6	A7	A8	A9	A10	A11	A12
GND	TX1+	TX1-	Vbus	CC1	D+	D-	SBU1	Vbus	RX2-	RX2+	GND
GND	RX1+	RX1-	Vbus	SBU2	D-	D+	CC2	Vbus	TX2-	TX2+	GND
B12	B11	B10	B9	B8	B7	B6	B5	B4	B3	B2	B1



DRAWING FOR REFERENCE
This is subject to change without notice

4	STAINLESS STEEL	Ni1-5	8	PS	COVER TAPE
3	COPPER ALLOY	Contact : Ni1-5+Pd-Ni0.75Min+Au0.05Min Lead : Ni1-5+Au0.05Min	7	PS	EMBOSS CARRIER TAPE
2	COPPER ALLOY	Contact : Ni1-5+Pd-Ni0.75Min+Au0.05Min Lead : Ni1-5+Au0.05Min	6	STAINLESS STEEL	Ni1-5
1	LCP	UL94V-0,COLOR BLACK	5	STAINLESS STEEL	Other Ni1-5 / LEAD Ni1-5+Au 0.03Min
NO.	MATERIAL	FINISH,REMARKS	NO.	MATERIAL	FINISH,REMARKS
REMARK			DRAWN	DESIGNED	CHECKED
EMBOSS CARRIER TAPE PACKAGING			C.E.LIM 15.09.04	C.E.LIM 15.09.04	H.J.LEE 15.09.04
			APPROVED	RELEASED	
			T.SKANG 15.09.04		
DRAWING NO. EDC3-632081			PART NO. CX70M-24P2		
SCALE 5:1 UNITS mm			CODE NO. CL 6240-0003-4		
HRS HIROSE KOREA CO.,LTD.			2/2		

X-ON Electronics

Largest Supplier of Electrical and Electronic Components

Click to view similar products for [USB Connectors](#) category:

Click to view products by [Hirose](#) manufacturer:

Other Similar products are found below :

[65-647-8-BK-BU](#) [950](#) [E8144-B01021-L](#) [A-USB A-LP-SMT-C](#) [A-USB B-TOP-C](#) [MUSBA511N5](#) [MUSBD11135](#) [217450-1](#) [CA 6 W LD](#)
[KMBVX-TH-5S-B30](#) [896-30-004-00-000000](#) [KUSBVX-BS1N-W30](#) [KUSBX-AP-KIT-SCBLK](#) [KUSBX-AS2N-W](#) [KUSBX-SMT2AP1S-W](#)
[KUSBX-SMT2AP1S-W30](#) [935](#) [957](#) [30-498-6](#) [17-210051](#) [1734082-1](#) [30-1574](#) [30-470](#) [30-489](#) [30-541](#) [30-572-3](#) [MAB 8 SN V](#) [A-USB A-](#)
[2P-C](#) [MIKROE-1451](#) [USBFTV2PEM2G](#) [USBFTVC6ZN](#) [KUSBX-AS2N-W30](#) [KUSBX-SLAS1N-W](#) [KUSBX-SMT-AS1N-W30](#) [4689-1](#) [1-](#)
[1734084-2](#) [E8110-001-01](#) [MUSBA81130](#) [33UBARS1-04SW11](#) [33UBAR-04SW11](#) [USBF21ZNSCC](#) [USBBFTV6ZC](#) [10135326-001LF](#)
[M9177/3-1](#) [USB-A-S-F-B-VT](#) [925](#) [4198](#) [690-024-633-031](#) [KUSBEX-BSFS1N-W](#) [USBFTVC6MRG](#)