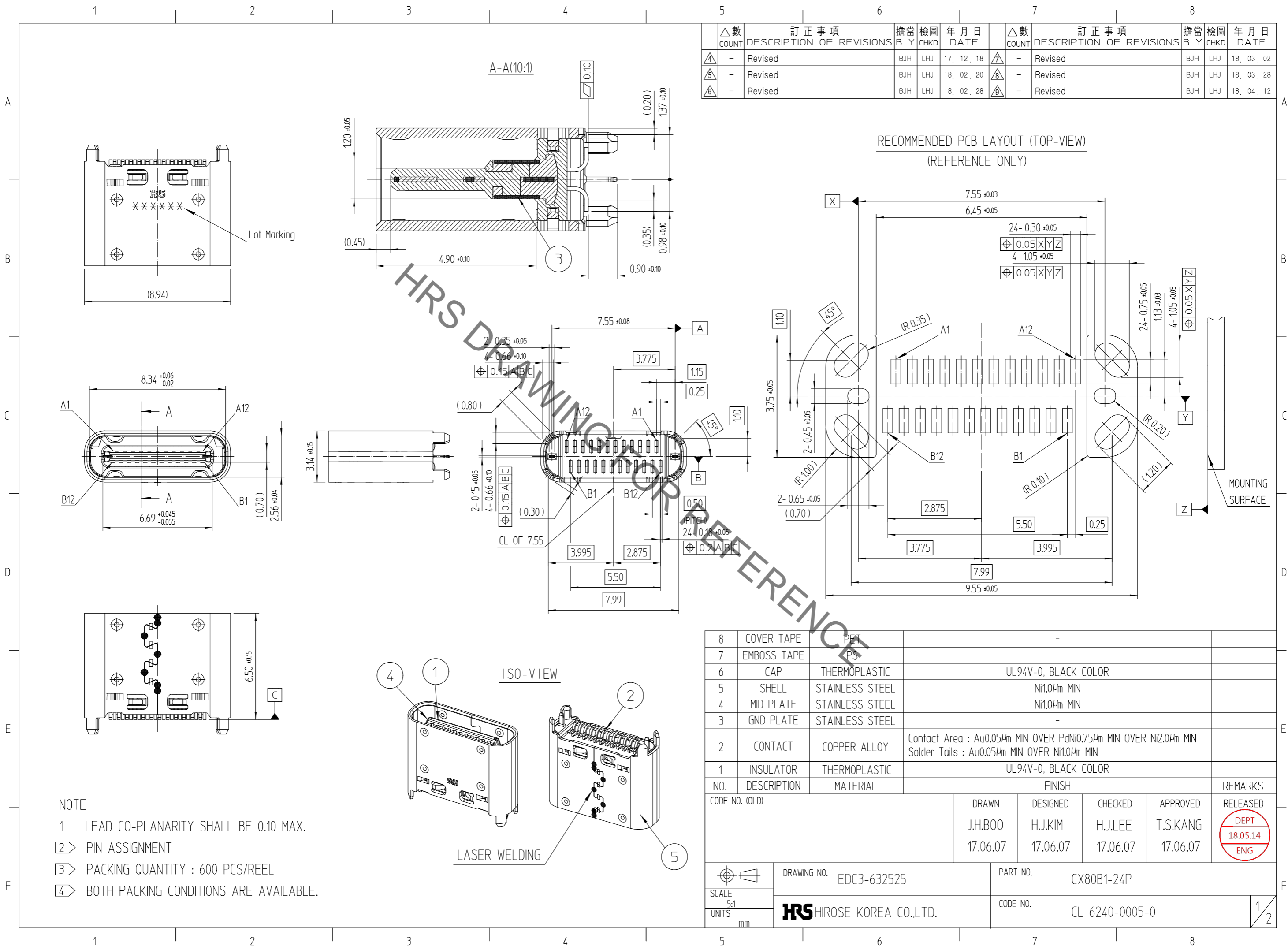


Jul.1.2021 Copyright 2021 HIROSE ELECTRIC CO., LTD. All Rights Reserved.
 In case of consideration for using Automotive equipment / device which demand high reliability, kindly contact our sales window correspondents.



△數 COUNT	訂正事項 DESCRIPTION OF REVISIONS	擔當 B	檢圖 CHKD	年月日 DATE	△數 COUNT	訂正事項 DESCRIPTION OF REVISIONS	擔當 B	檢圖 CHKD	年月日 DATE
④	- Revised	BJH	LHJ	17. 12. 18	⑦	- Revised	BJH	LHJ	18. 03. 02
⑤	- Revised	BJH	LHJ	18. 02. 20	⑧	- Revised	BJH	LHJ	18. 03. 28
⑥	- Revised	BJH	LHJ	18. 02. 28	⑨	- Revised	BJH	LHJ	18. 04. 12

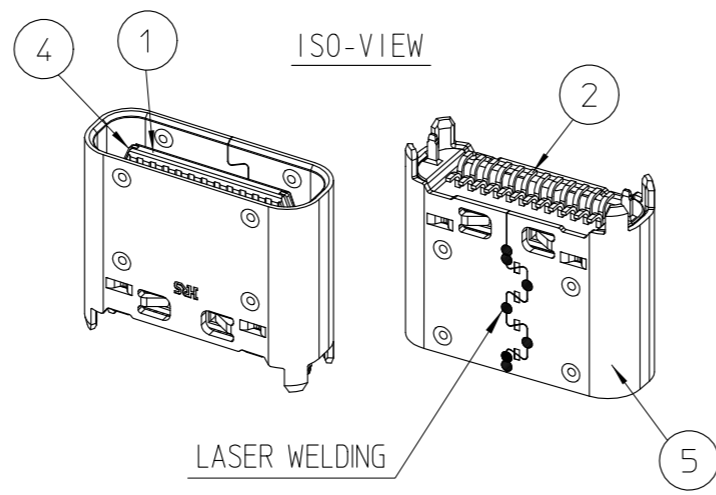
RECOMMENDED PCB LAYOUT (TOP-VIEW)
 (REFERENCE ONLY)

NO.	DESCRIPTION	MATERIAL	FINISH	REMARKS
8	COVER TAPE	PET	-	
7	EMBOSS TAPE	PS	-	
6	CAP	THERMOPLASTIC	UL94V-0, BLACK COLOR	
5	SHELL	STAINLESS STEEL	Ni1.0μm MIN	
4	MID PLATE	STAINLESS STEEL	Ni1.0μm MIN	
3	GND PLATE	STAINLESS STEEL	-	
2	CONTACT	COPPER ALLOY	Contact Area : Au0.05μm MIN OVER PdNi0.75μm MIN OVER Ni2.0μm MIN Solder Tails : Au0.05μm MIN OVER Ni1.0μm MIN	
1	INSULATOR	THERMOPLASTIC	UL94V-0, BLACK COLOR	

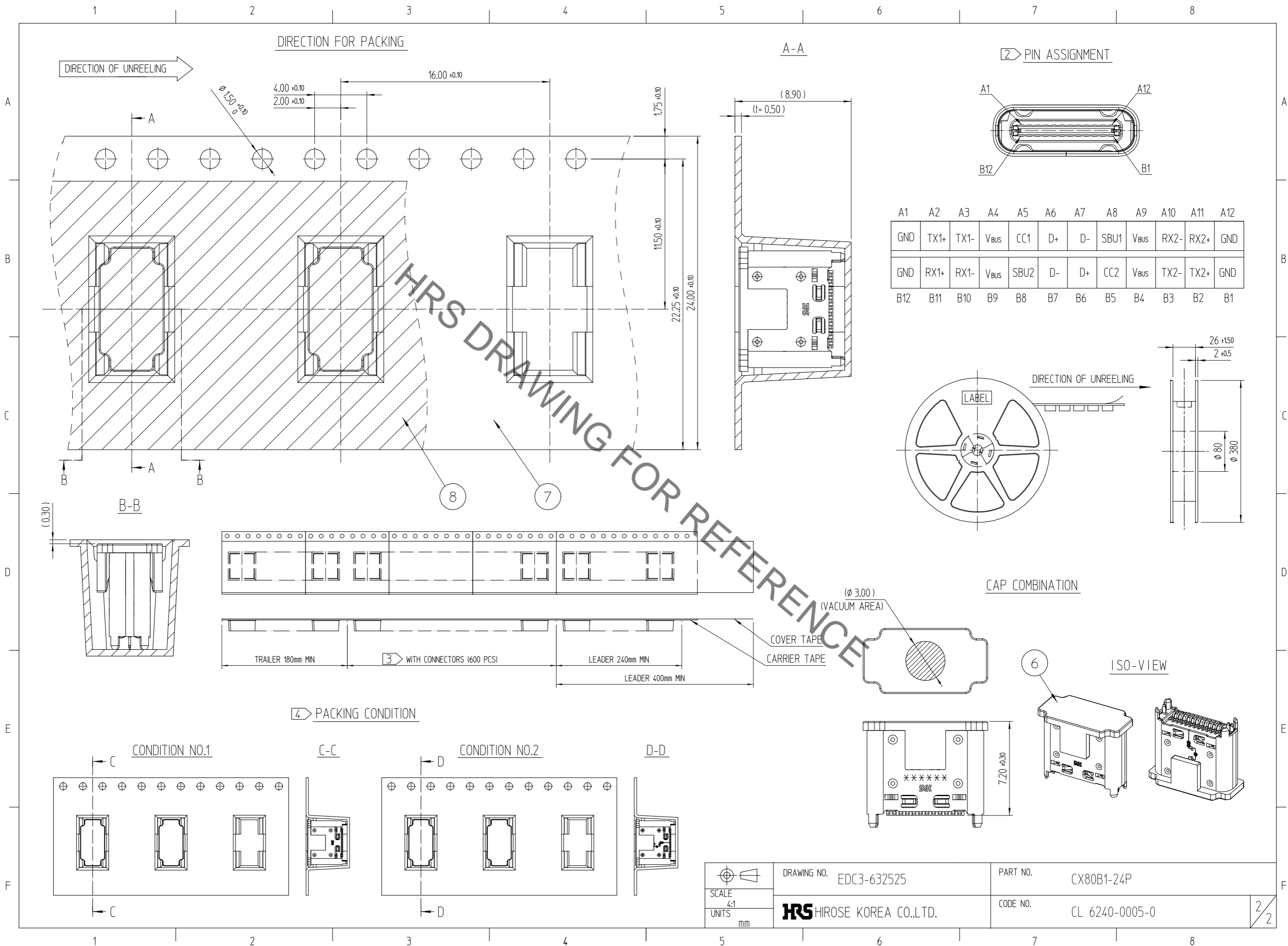
CODE NO. (OLD)	DRAWN	DESIGNED	CHECKED	APPROVED	RELEASED
	J.H.BOO 17.06.07	H.J.KIM 17.06.07	H.J.LEE 17.06.07	T.S.KANG 17.06.07	DEPT 18.05.14 ENG

SCALE 5:1 UNITS mm	DRAWING NO. EDC3-632525 HRS HIROSE KOREA CO.,LTD.	PART NO. CX80B1-24P CODE NO. CL 6240-0005-0	1/2
-----------------------------	---	--	-----

- NOTE
- ① LEAD CO-PLANARITY SHALL BE 0.10 MAX.
 - ② PIN ASSIGNMENT
 - ③ PACKING QUANTITY : 600 PCS/REEL
 - ④ BOTH PACKING CONDITIONS ARE AVAILABLE.



Jul.1.2021 Copyright 2021 HIROSE ELECTRIC CO., LTD. All Rights Reserved.
 In case of consideration for using Automotive equipment / device which demand high reliability, kindly contact our sales window correspondents.



	DRAWING NO.	EDC3-632525	PART NO.	CX80B1-24P
	SCALE	4:1	CODE NO.	CL 6240-0005-0
UNITS	mm		HIROSE KOREA CO.,LTD.	

X-ON Electronics

Largest Supplier of Electrical and Electronic Components

Click to view similar products for [USB Connectors](#) category:

Click to view products by [Hirose](#) manufacturer:

Other Similar products are found below :

[65-647-8-BK-BU](#) [950](#) [952](#) [E8144-B01021-L](#) [A-USB A-LP-SMT-C](#) [MUSBA511N5](#) [MUSBD11135](#) [217450-1](#) [CA 6 W LD](#) [KMBVX-TH-5S-B30](#) [896-30-004-00-000000](#) [KUSBVX-BS1N-W30](#) [KUSBX-AP-KIT-SCBLK](#) [KUSBX-AS2N-W](#) [KUSBX-SMT2AP1S-W](#) [KUSBX-SMT2AP1S-W30](#) [935](#) [957](#) [30-498-6](#) [17-210051](#) [1734082-1](#) [30-1574](#) [30-470](#) [30-489](#) [30-541](#) [30-572-3](#) [MAB 8 SN V](#) [A-USB A-2P-C](#) [MIKROE-1451](#) [USBFTV2PEM2G](#) [USBFTVC6ZN](#) [KUSBX-AS2N-W30](#) [KUSBX-SLAS1N-W](#) [KUSBX-SMT-AS1N-W30](#) [4689-1](#) [1-1734084-2](#) [E8110-001-01](#) [MUSBA81130](#) [33UBARS1-04SW11](#) [33UBAR-04SW11](#) [USBF21ZNSCC](#) [USBBFTV6ZC](#) [10135326-001LF](#) [M9177/3-1](#) [USB-A-S-F-B-VT](#) [925](#) [4198](#) [690-024-633-031](#) [KUSBEX-BSFS1N-W](#) [USBFTVC6MRG](#)