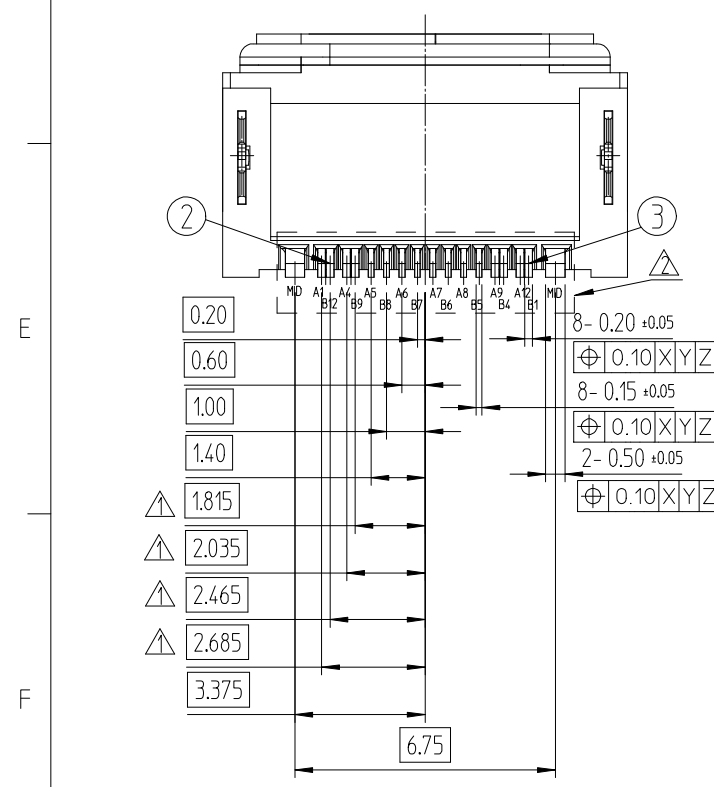
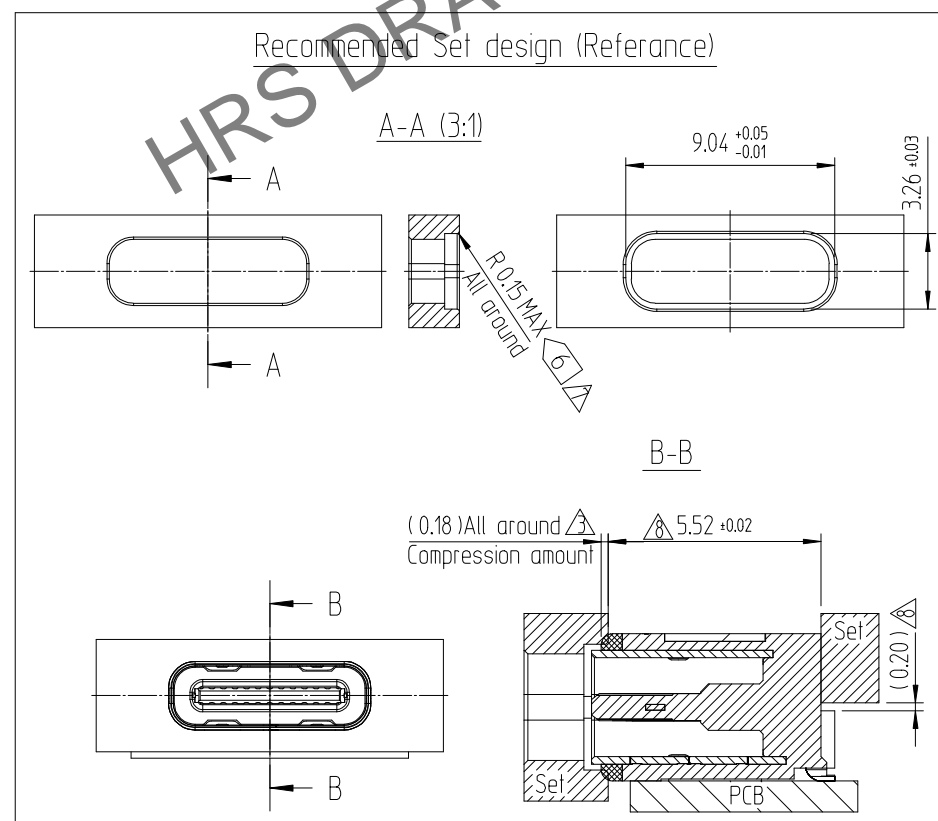
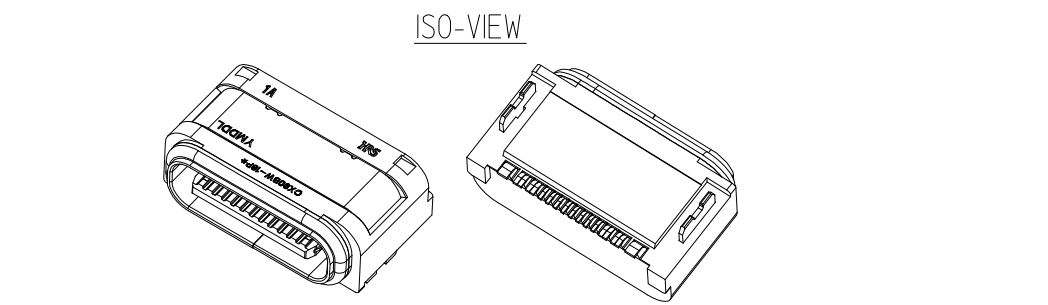
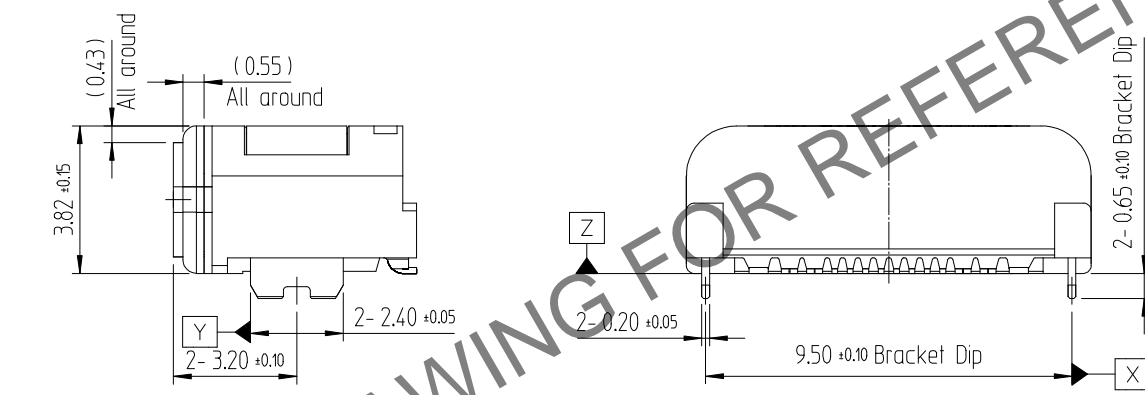
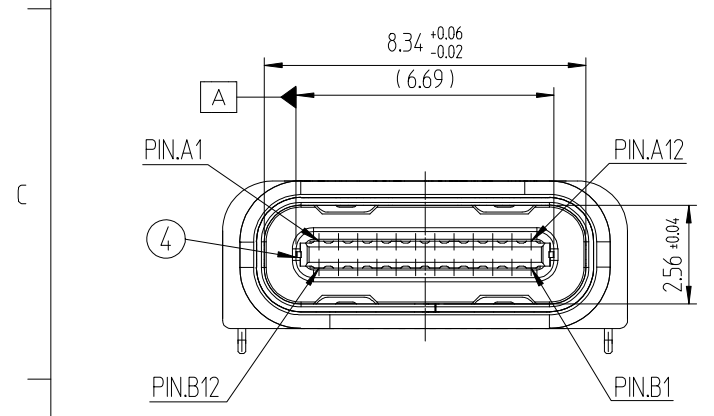
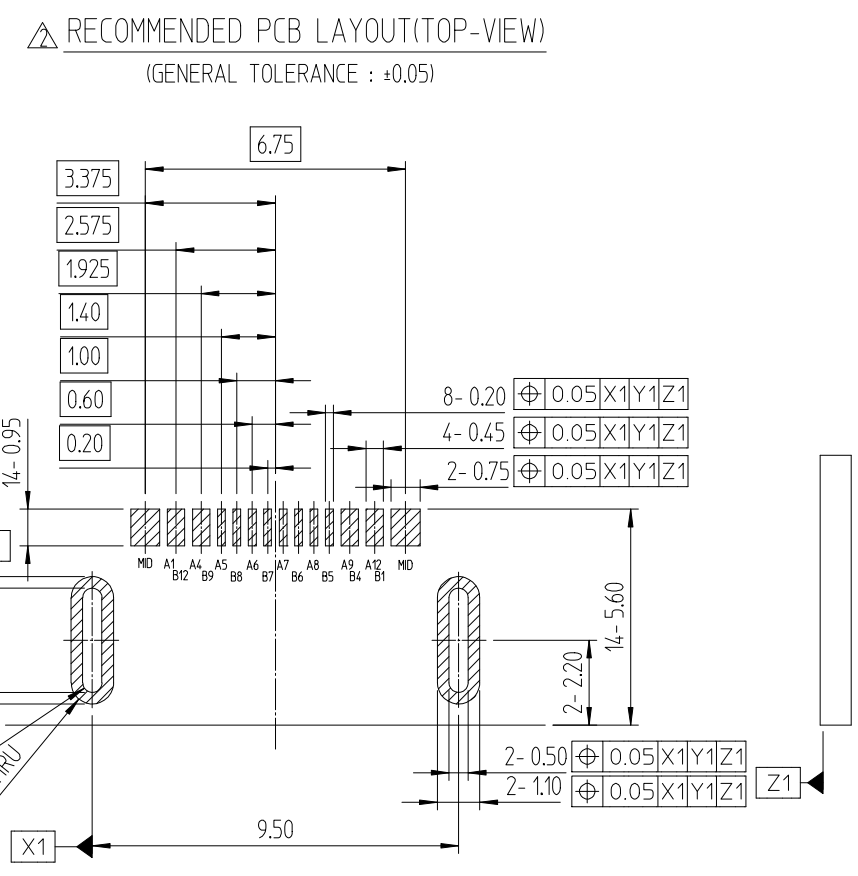
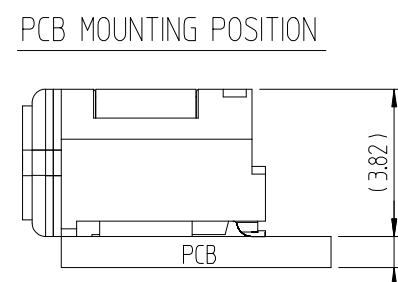
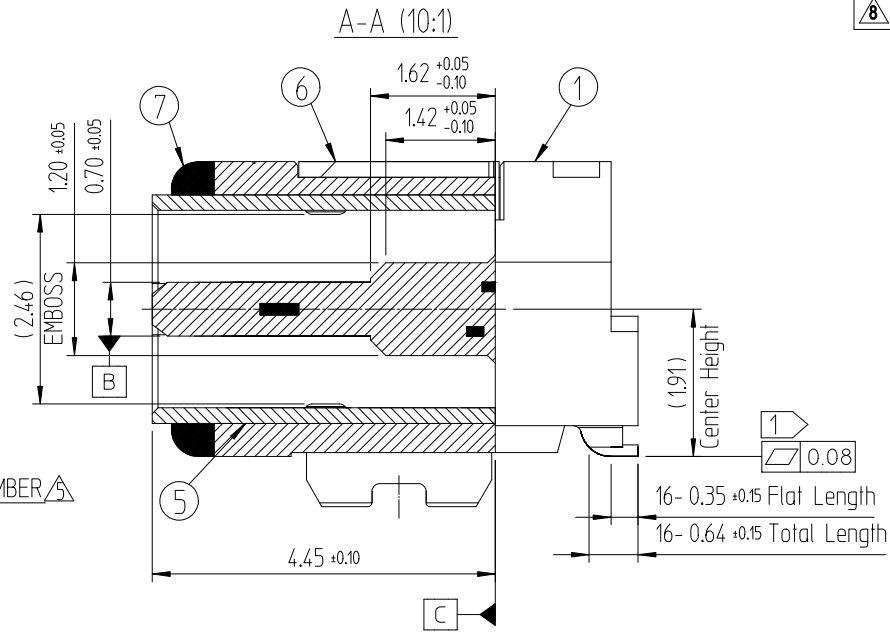
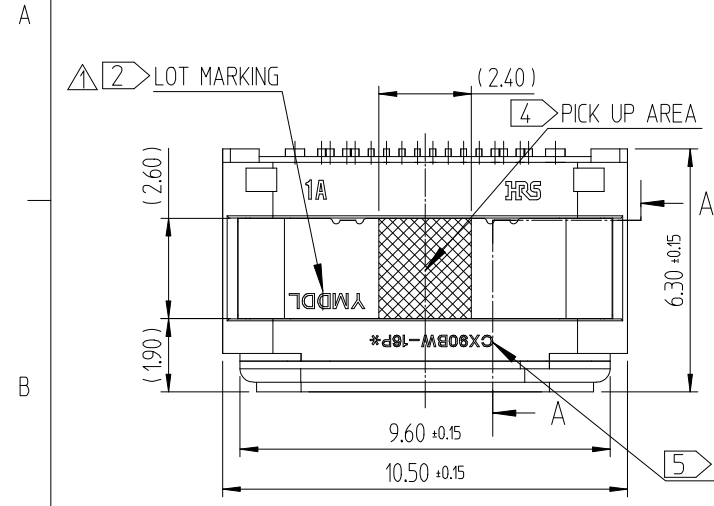


Apr.1.2024 Copyright 2024 HIROSE ELECTRIC CO., LTD. All Rights Reserved.
In case of consideration for using Automotive equipment / device which demand high reliability, kindly contact our sales window correspondents.

訂正事項				訂正事項					
△數	DESCRIPTION OF REVISIONS	擔當	檢圖	年月日	△數	DESCRIPTION OF REVISIONS	擔當	檢圖	年月日
COUNT		B	CHKD	DATE	COUNT		B	CHKD	DATE
1	EC(RE-2-2351)	KYG	LHJ	23. 07. 28	9	EC(RE-2-2477)	KYG	LHJ	23. 12. 08
3	EC(RE-2-2395)	KYG	LHJ	23. 10. 30					
2	EC(RE-2-2469)	KYG	LHJ	23. 12. 05					



NO.	DESCRIPTIONS	MATERIAL	FINISH	REMARKS
7	GASKET	URETHANE	RED COLOR	-
6	BRACKET	STAINLESS STEEL	NICKEL PLATING	-
5	SHELL	STAINLESS STEEL	CLENSING	-
4	MID PLATE	STAINLESS STEEL	SOLDER AREA : GOLD OVER NICKEL THE OTHER AREA : NICKEL PLATING	-
3	CONTACT 2ND	COPPER	CONTACT AREA : GOLD OVER NICKEL SOLDER AREA : GOLD OVER NICKEL	-
2	CONTACT 1ST	COPPER	CONTACT AREA : GOLD OVER NICKEL SOLDER AREA : GOLD OVER NICKEL	-
1	INSERT CASE	THERMOPLASTIC	BLACK COLOR	UL94V-0

CODE NO. (OLD)	DRAWN	DESIGNED	CHECKED	APPROVED	RELEASED
	Y.B.PARK 21.07.08	Y.B.PARK 21.07.08	H.J.LEE 21.07.08	H.J.LEE 21.07.08	ENG 23.12.08 DEPT

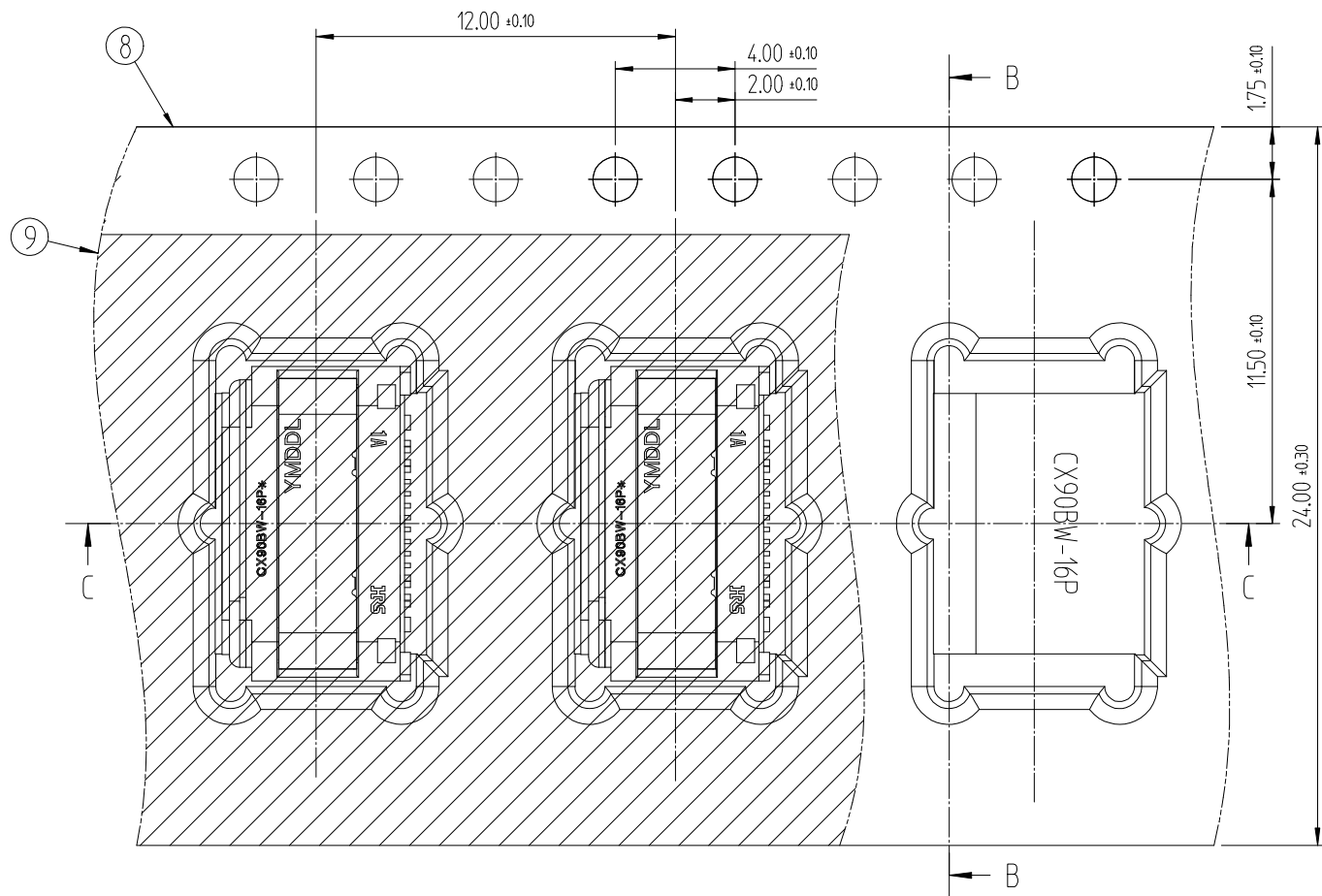
SCALE	DRAWING NO.	PART NO.
5:1	EDC3-633131-00	CX90BW-16P*
UNITS	HIROSE KOREA CO.,LTD.	CODE NO
mm		CL ****-****-**-****

A B C D E F

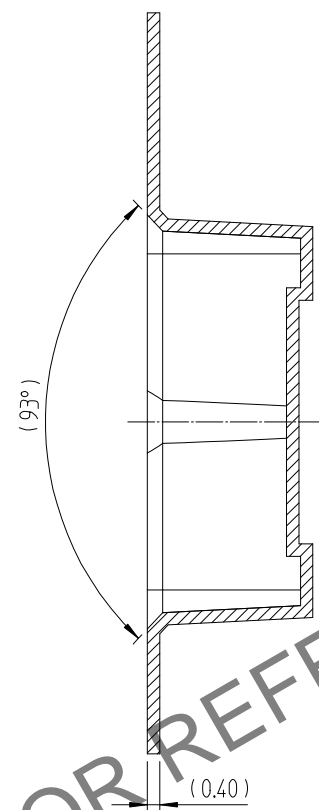
Apr.1.2024 Copyright 2024 HIROSE ELECTRIC CO., LTD. All Rights Reserved.
In case of consideration for using Automotive equipment / device which demand high reliability, kindly contact our sales window correspondents.

DRAWING FOR PACKING

DIRECTION OF UNREELING

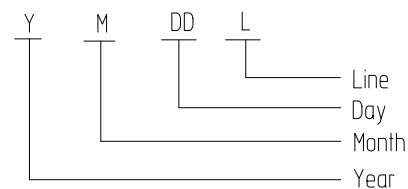


B-B



[NOTE]

- ① Co-planarity
- Pin : 0.08MAX Before Reflow , 0.10MAX After Reflow 2times
- ② Lot marking : 5 digits (YMDDL)

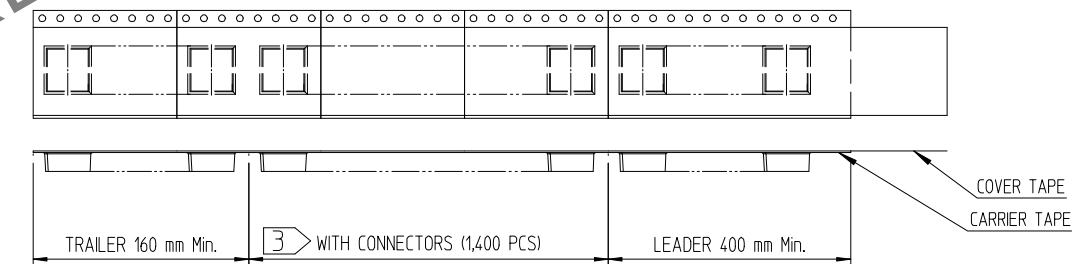


[Chart-1] LOT MARKING

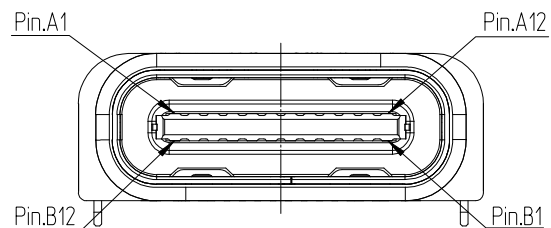
Year	Month	Day	Production Line
Ex. Mark	Ex. Mark	Ex. Mark	Ex. MARK
2020	0	Jan. 1	1st 01 Sample S
2021	1	Feb. 2	2nd 02 MP Manual#1 1
2022	2	Mar. 3	3th 03 MP Manual#2 2
2023	3	Apr. 4	4th 04 MP Manual#3 3
2024	4	May 5	5th 05 MP Manual#4 4
2025	5	Jun. 6	6th 06
2026	6	Jul. 7	7th 07 MP Auto#1 A
2027	7	Aug. 8	8th 08 MP Auto#2 B
2028	8	Sep. 9	9th 09 MP Auto#3 C
2029	9	Oct. A	10th 10 MP Auto#4 D
		Nov. B	11th 11 MP Auto#5 E
		Dec. C

- 3. Carrier tape packing
Packing quantity : 1,400EA/REEL

▲ Cover tape peeling force : 10~130gf(0.1~1.3N) @ 300mm/min

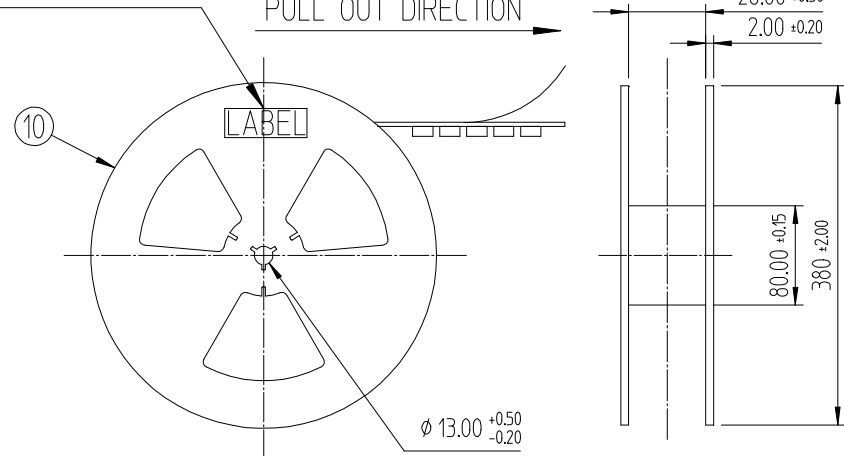


PIN ASSIGNMENT(FRONT-VIEW)



A1	A2	A3	A4	A5	A6	A7	A8	A9	A10	A11	A12
GND			Vbus	CC1	D+	D-	SBU1	Vbus			GND
GND			Vbus	SBU2	D-	D+	CC2	Vbus			GND
B12	B11	B10	B9	B8	B7	B6	B5	B4	B3	B2	B1

LABEL POSITION



- ④ Pickup area
- ▲▲▲⑤ Series P/N Marking

No.	P/N	Marking	Code No.	Description
1	CX90BW-16P	Blank	CL 6246-0002-0-000	IP54, Air leak Full-inspection
2	CX90BW-16P(001)	CX90BW-16P	CL 6246-0002-0-001	IP54, Air leak Full-inspection
3	CX90BW-16P1	CX90BW-16P1	CL 6247-0004-1-000	IP68, Air leak Full-inspection

- ▲⑥ No tear or damage to the gasket of connector due to sharp shape such as burr, flash on the set side.

10	REEL BOBBIN	PS	-	-
9	COVER TAPE	PET	-	-
8	EMBOSS TAPE	PS	Thermo-Comperssion Sealing	-
NO.	DESCRIPTIONS	MATERIAL	FINISH	REMARKS
DRAWING NO. EDC3-633131-00		PART NO. CX90BW-16P*		
SCALE 3:1	UNITS mm		CODE NO. ▲⑤ CL ****-****-****	2/2
HRS HIROSE KOREA CO.,LTD.				

X-ON Electronics

Largest Supplier of Electrical and Electronic Components

Click to view similar products for [USB Connectors](#) category:

Click to view products by [Hirose](#) manufacturer:

Other Similar products are found below :

[950](#) [A-USB A-LP-SMT-C](#) [A-USB B-TOP-C](#) [MUSBD11135](#) [17-200721](#) [217450-1](#) [KMBVX-TH-5S-B30](#) [KUSBX-AS2N-W](#) [KUSBX-SMT2AP1S-W30](#) [935](#) [957](#) [30-498-6](#) [SK-60A-2](#) [1734082-1](#) [30-470](#) [30-489](#) [30-541](#) [MIKROE-1451](#) [USBFTVSCCG](#) [1-1734084-2](#) [10135326-001LF](#) [USB3FTV7APEG](#) [4198](#) [1310-1023-02](#) [690-024-633-031](#) [UB-20PMFP-LC7001](#) [17-200011](#) [UB-20AFMM-LL7A01](#) [1040870124](#) [CAP-WCCMLPB1](#) [2274475-3](#) [UB-20BMFA-SL8001](#) [UB-20BFM-SA7A02](#) [UB-20BFM-SA7A05](#) [914-614A2025S10200](#) [MUSBR-AHD2-M41-SK](#) [ZX40-B-5S-1500-STDA\(30\)](#) [GSB3116344HR](#) [USB3FTV2SAZNF459](#) [USBF21GSCC](#) [U221-041N-1WVS62-F5D](#) [HYCW153-USBD05-500B](#) [HYCW219-USBD05-075B](#) [HYCW148-USBD05-117B](#) [HYCW149-USBD05-740B](#) [HYCW204-USBD05-108B](#) [HYCW214-USBA04-113B](#) [HYCW213-USBA04-113B](#) [UB-20AMFM-SL7A01](#) [KMMX-BSMT35S-1-B30TR](#)