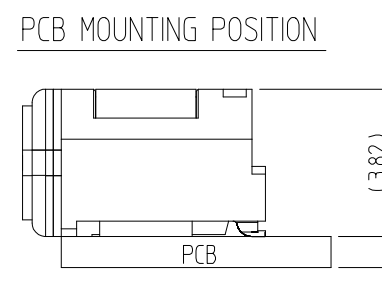
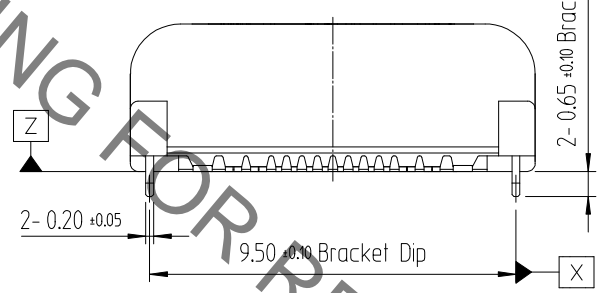
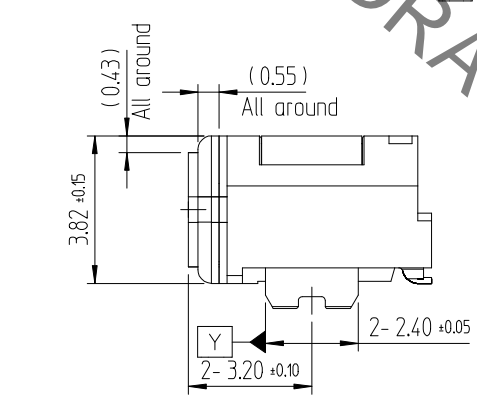
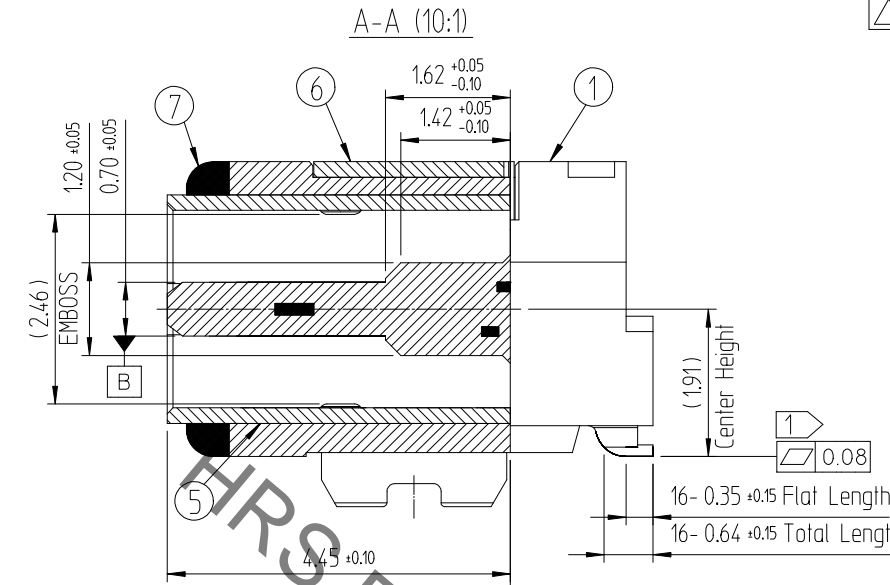
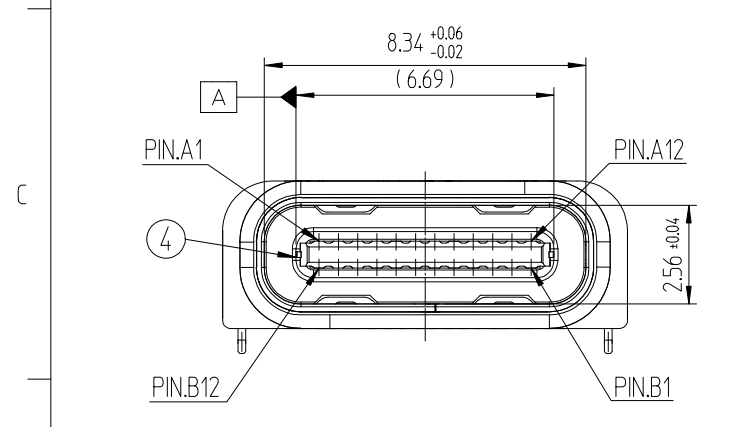
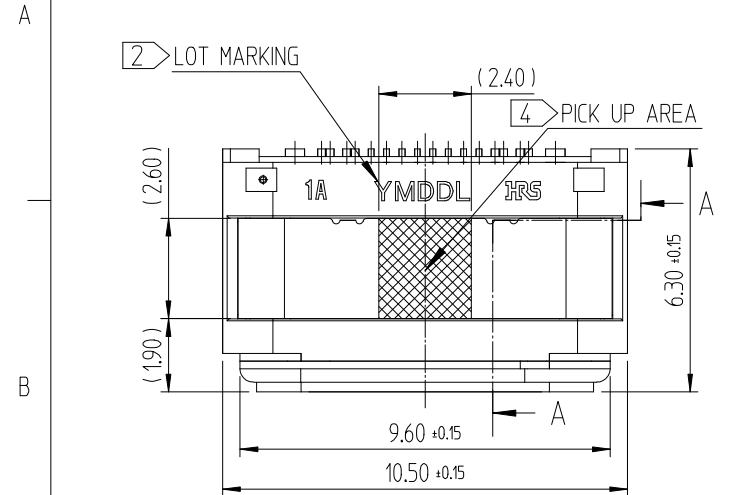
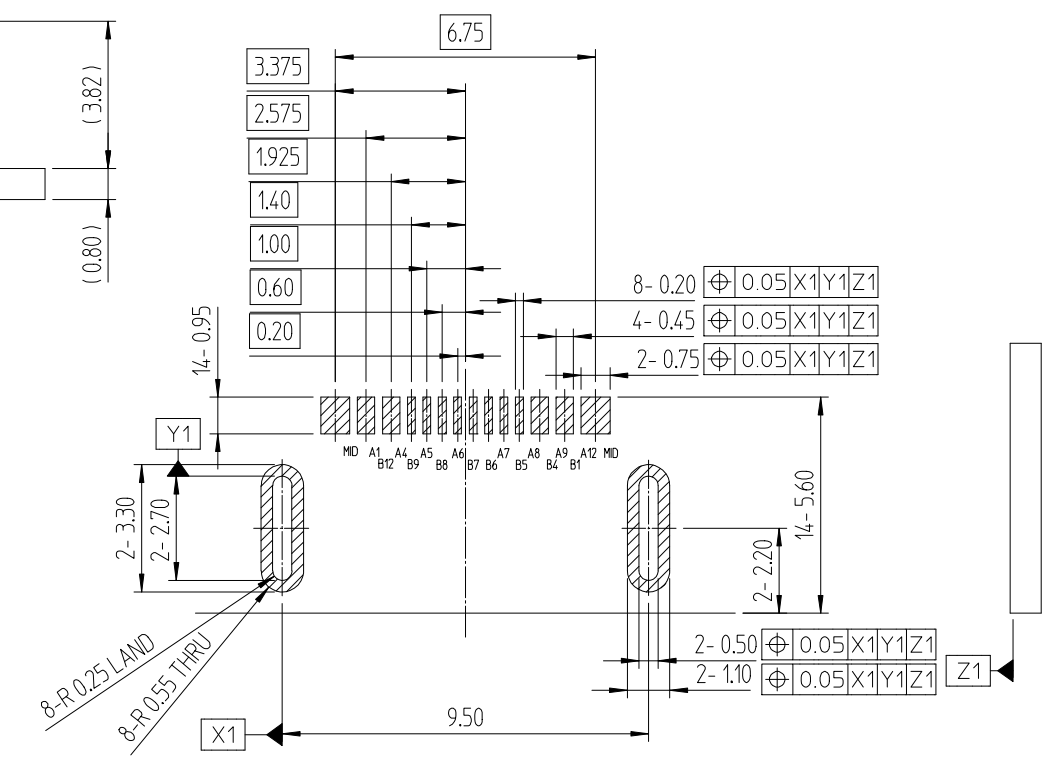


Jun.1.2022 Copyright 2022 HIROSE ELECTRIC CO., LTD. All Rights Reserved.
In case of consideration for using Automotive equipment / device which demand high reliability, kindly contact our sales window correspondents.

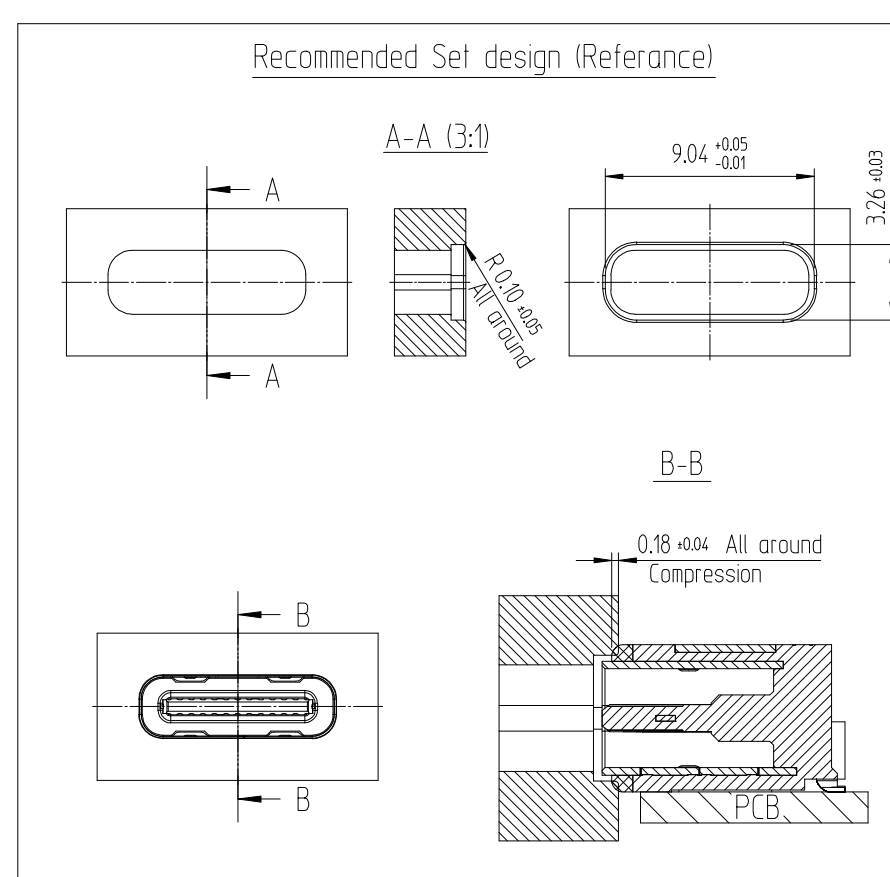
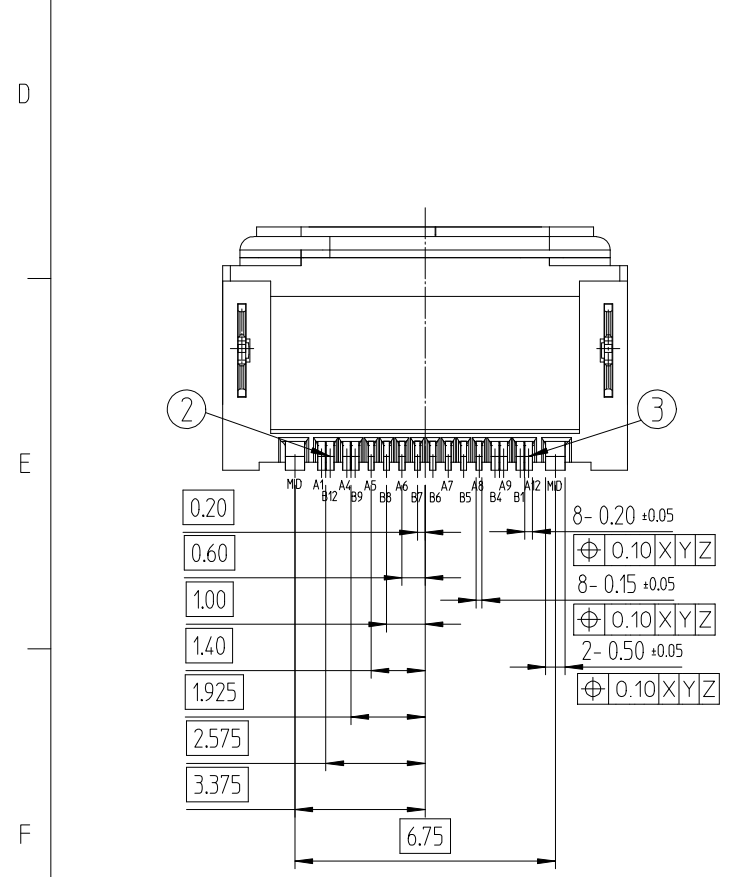
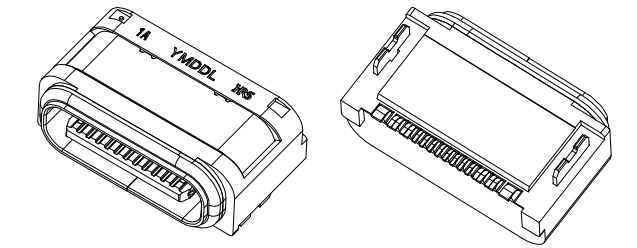
訂正事項				訂正事項			
△數	DESCRIPTION OF REVISIONS	擔當	檢圖	年月日	△數	DESCRIPTION OF REVISIONS	擔當
COUNT		B	Y	CHKD	DATE		CHKD
△							
△							
△							



RECOMMENDED PCB LAYOUT(TOP-VIEW)
(GENERAL TOLERANCE : ±0.05)



ISO-VIEW



NO.	DESCRIPTIONS	MATERIAL	FINISH	REMARKS
7	GASKET	URETHANE	RED COLOR	-
6	BRACKET	STAINLESS STEEL	NICKEL PLATING	-
5	SHELL	STAINLESS STEEL	CLENSING	-
4	MID PLATE	STAINLESS STEEL	SOLDER AREA : GOLD OVER NICKEL THE OTHER AREA : NICKEL PLATING	-
3	CONTACT 2ND	COPPER	CONTACT AREA : GOLD OVER NICKEL SOLDER AREA : GOLD OVER NICKEL	-
2	CONTACT 1ST	COPPER	CONTACT AREA : GOLD OVER NICKEL SOLDER AREA : GOLD OVER NICKEL	-
1	INSERT CASE	THERMOPLASTIC	BLACK COLOR	UL94V-0

CODE NO. (OLD)	DRAWN	DESIGNED	CHECKED	APPROVED	RELEASED
	Y.B.PARK 21.07.08	Y.B.PARK 21.07.08	H.J.LEE 21.07.08	H.J.LEE 21.07.08	ENG 22.05.10 DEPT

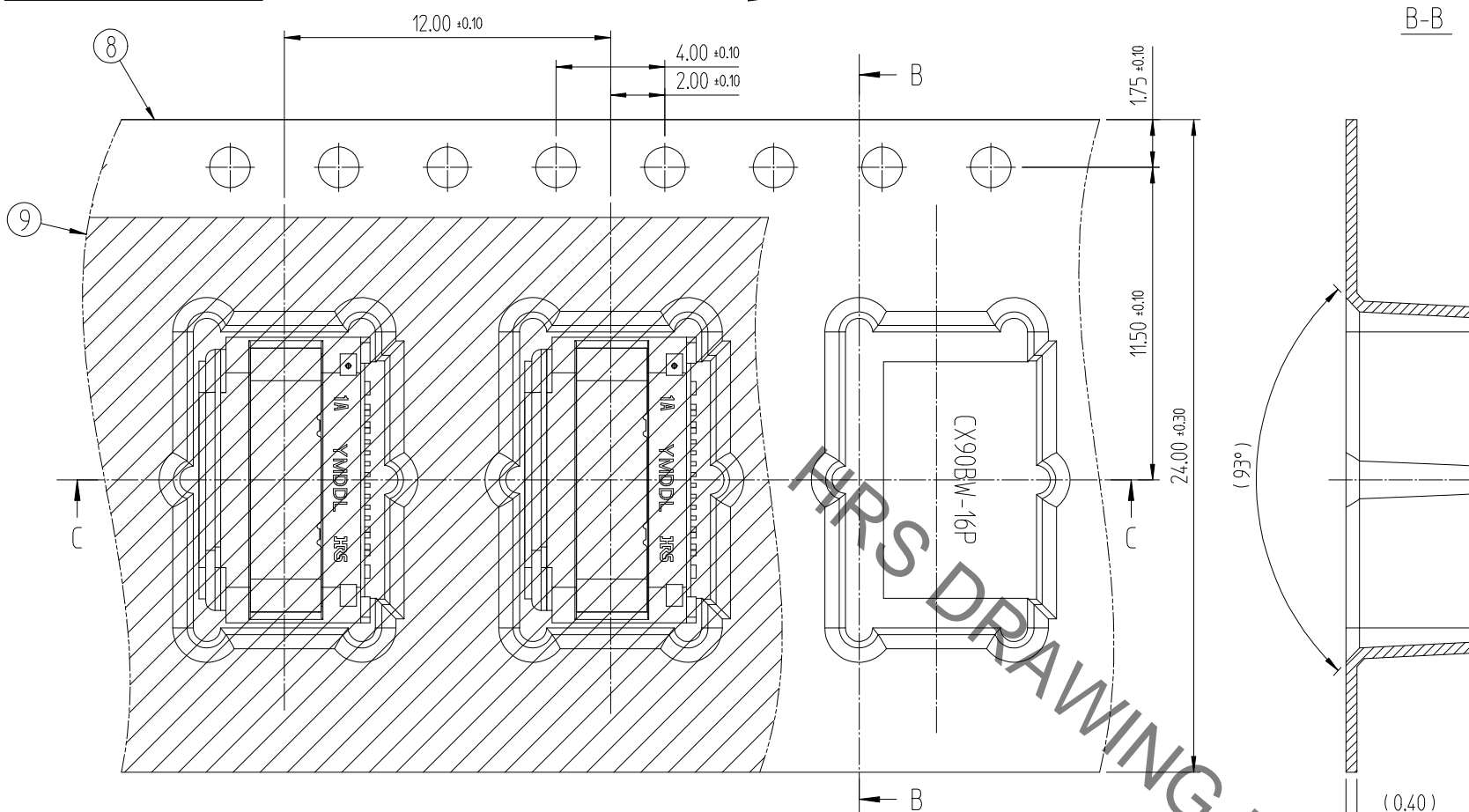
DRAWING NO.	PART NO.
EDC3-633131-00	CX90BW-16P

SCALE	UNITS	HIROSE KOREA CO.,LTD.	CODE NO.
5:1	mm	HIROSE KOREA CO.,LTD.	CL 6246-0002-0

Jun.1.2022 Copyright 2022 HIROSE ELECTRIC CO., LTD. All Rights Reserved.
In case of consideration for using Automotive equipment / device which demand high reliability, kindly contact our sales window correspondents.

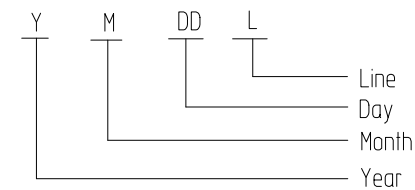
DRAWING FOR PACKING

DIRECTION OF UNREELING



[NOTE]

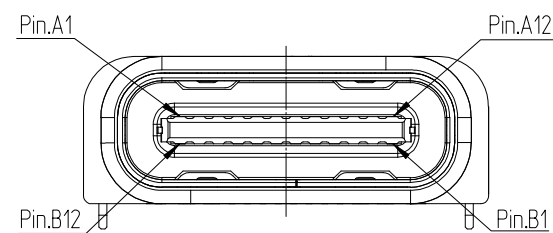
- ① Co-planarity
- Pin : 0.08MAX Before Reflow , 0.10MAX After Reflow 2times
- ② Lot marking : 5 digits (YMDDL)



[Chart-1] LOT MARKING

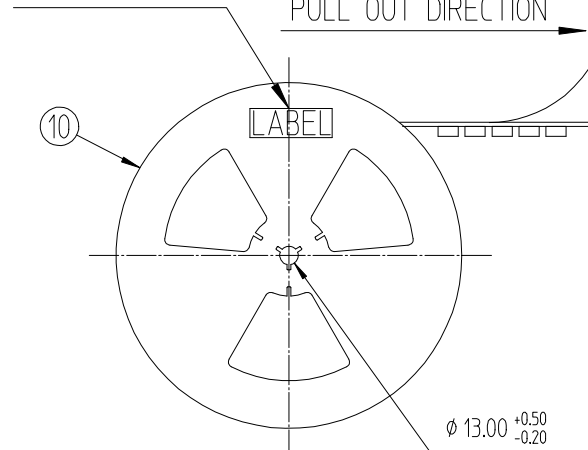
Year	Month	Day	Production Line	Ex. Mark	MARK
2020	0	Jan. 1	1st 01	Sample	S
2021	1	Feb. 2	2nd 02	MP Manual#1	1
2022	2	Mar. 3	3th 03	MP Manual#2	2
2023	3	Apr. 4	4th 04	MP Manual#3	3
2024	4	May 5	5th 05	MP Manual#4	4
2025	5	Jun. 6	6th 06
2026	6	Jul. 7	7th 07	MP Auto#1	A
2027	7	Aug. 8	8th 08	MP Auto#2	B
2028	8	Sep. 9	9th 09	MP Auto#3	C
2029	9	Oct. A	10th 10	MP Auto#4	D
		Nov. B	11th 11	MP Auto#5	E
		Dec. C

PIN ASSIGNMENT(FRONT-VIEW)

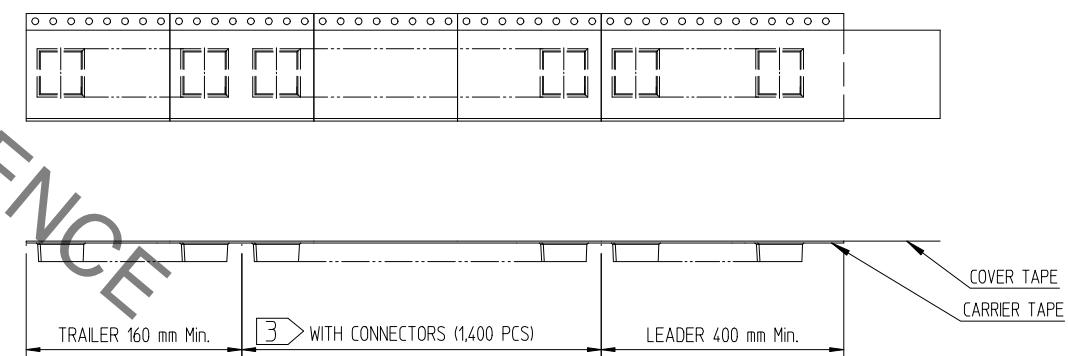


A1	A2	A3	A4	A5	A6	A7	A8	A9	A10	A11	A12
GND		Vbus	CC1	D+	D-	SBU1	Vbus				GND
GND		Vbus	SBU2	D-	D+	CC2	Vbus				GND
B12	B11	B10	B9	B8	B7	B6	B5	B4	B3	B2	B1

LABEL POSITION



- 3. Carrier tape packing
Packing quantity : 1,400EA/REEL
Cover tape peeling force : 30~100gf(0.3~1.0N) @ 300mm/min



④ PICKUP AREA

10	REEL BOBBIN	PS	-	-
9	COVER TAPE	PET	-	-
8	EMBOSS TAPE	PS	Thermo-Comperssion Sealing	-
NO.	DESCRIPTIONS	MATERIAL	FINISH	REMARKS
	DRAWING NO.	EDC3-633131-00		PART NO. CX90BW-16P
	SCALE	3:1		CODE NO CL 6246-0002-0
	UNITS	mm		2/2
		HRS HIROSE KOREA CO.,LTD.		

X-ON Electronics

Largest Supplier of Electrical and Electronic Components

Click to view similar products for [USB Connectors](#) category:

Click to view products by [Hirose](#) manufacturer:

Other Similar products are found below :

[950](#) [A-USB A-LP-SMT-C](#) [A-USB B-TOP-C](#) [MUSBA511N5](#) [MUSBD11135](#) [217450-1](#) [KMBVX-TH-5S-B30](#) [896-30-004-00-000000](#)
[KUSBX-AS2N-W](#) [KUSBX-SMT2AP1S-W30](#) [935](#) [957](#) [30-498-6](#) [SK-60A-2](#) [1734082-1](#) [CIR08AF-20-27S-F80-20](#) [CIR08F-20](#) [30-1574](#) [30-470](#) [30-489](#) [30-541](#) [30-572-3](#) [A-USB A-2P-C](#) [MIKROE-1451](#) [USBFTV2PEM2G](#) [USBFTVC6ZN](#) [USBFTVSCCG](#) [4689-1](#) [1-1734084-2](#)
[CIR08F-20-27P-F80-VO](#) [USBF21ZNSCC](#) [USBBFTV6ZC](#) [MUSBB151341](#) [10135326-001LF](#) [M9177/3-1](#) [USB-A-S-F-B-VT](#) [925](#) [4198](#) [690-024-633-031](#) [UB-20PMFP-LC7001](#) [USBFTVC6MRG](#) [UA-20BMFA-SL8001](#) [17-200011](#) [USBFTVC7ZC](#) [UB-20AFMM-LL7A01](#)
[USBFTVC2MN](#) [CAP-WCCMLPB1](#) [CAP-WCCMLPC1](#) [2041386-1](#) [2274475-3](#)