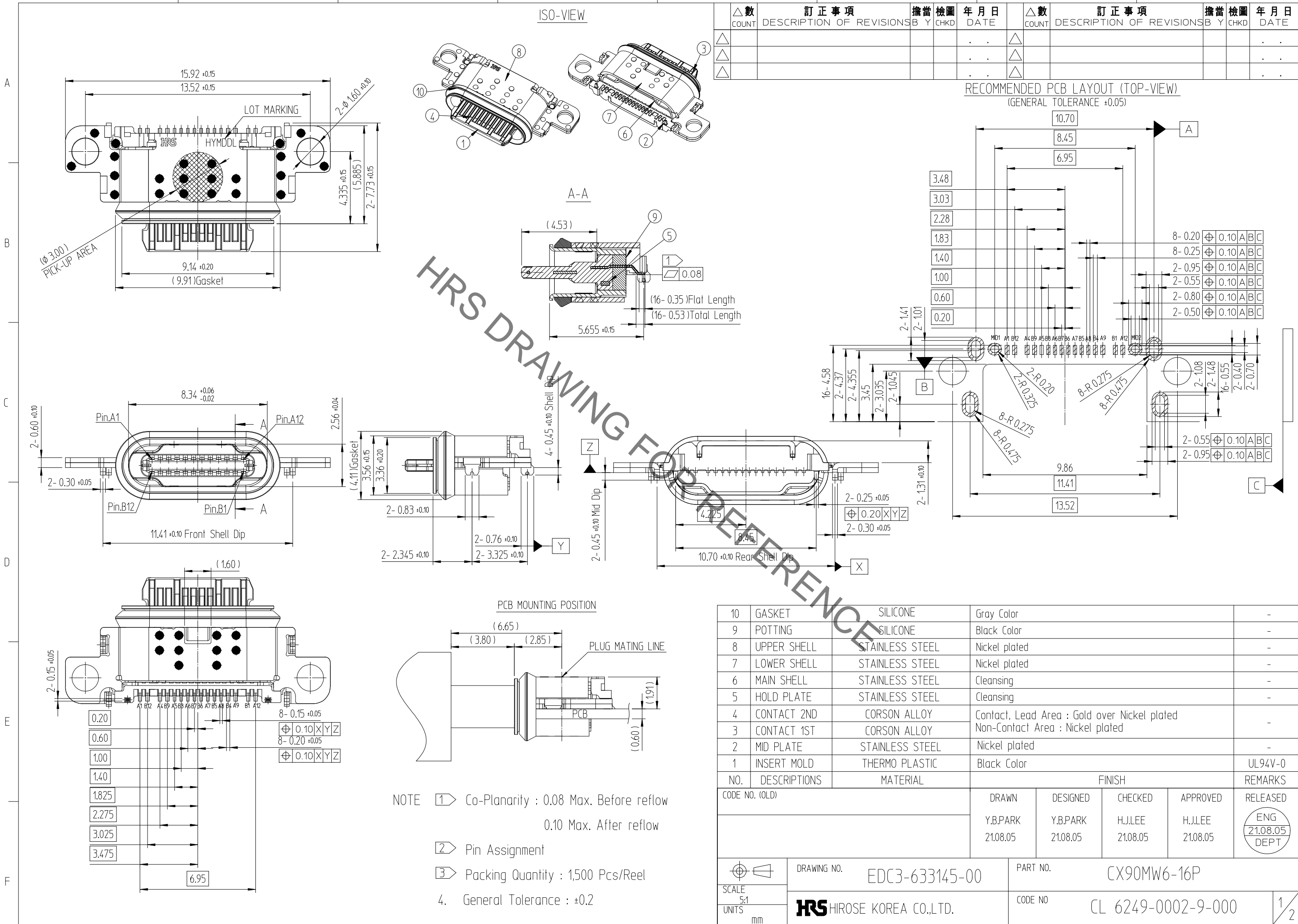


May.1.2022 Copyright 2022 HIROSE ELECTRIC CO., LTD. All Rights Reserved.
 In case of consideration for using Automotive equipment / device which demand high reliability, kindly contact our sales window correspondents.



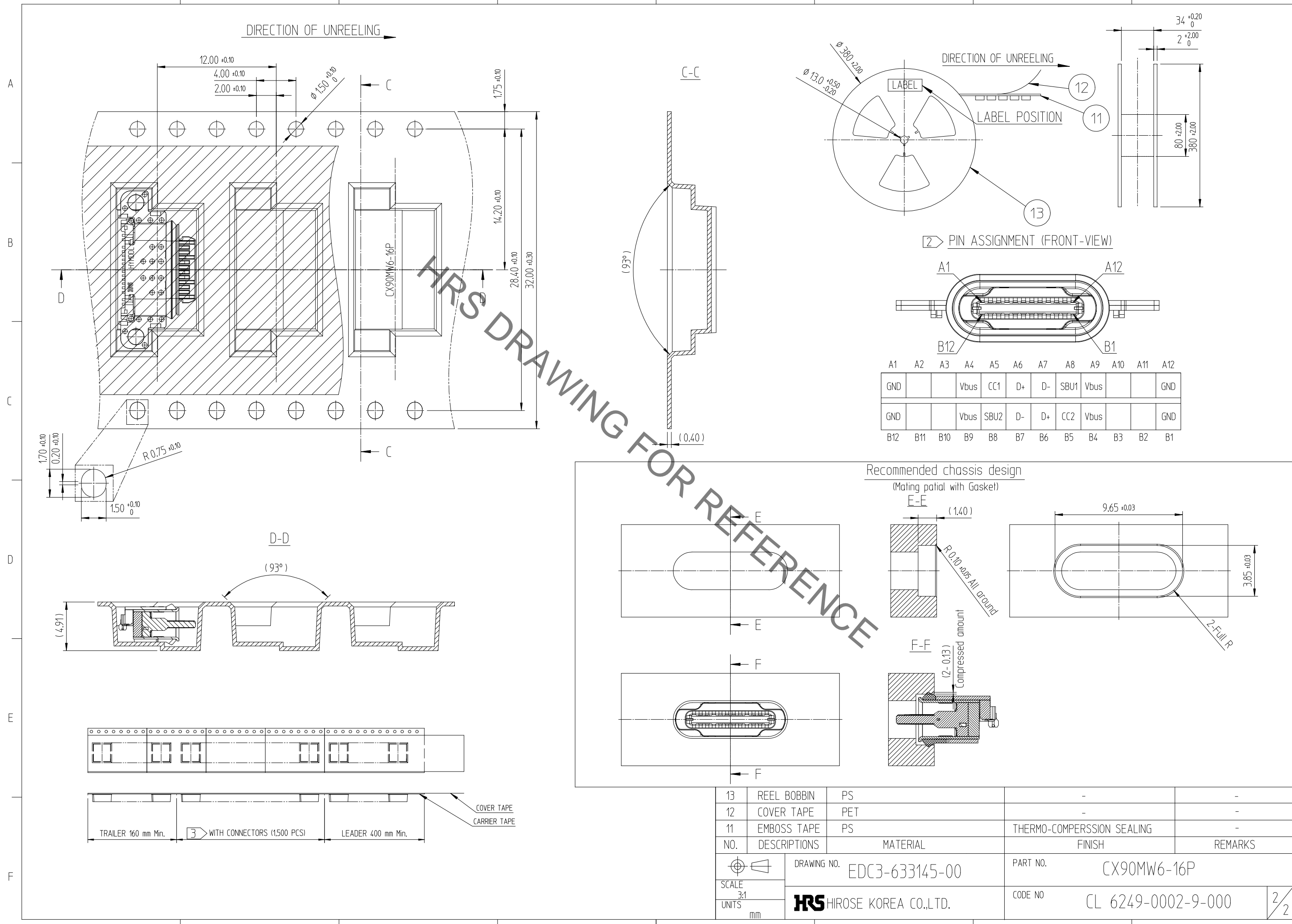
| △數 COUNT | 訂正事項 DESCRIPTION OF REVISIONS | 擔當 B | 檢圖 Y | 年月日 DATE | △數 COUNT | 訂正事項 DESCRIPTION OF REVISIONS | 擔當 B | 檢圖 Y | 年月日 DATE |
|-------------|----------------------------------|---------|---------|-------------|-------------|----------------------------------|---------|---------|-------------|
| △ | | | | | △ | | | | |
| △ | | | | | △ | | | | |
| △ | | | | | △ | | | | |

RECOMMENDED PCB LAYOUT (TOP-VIEW)
 (GENERAL TOLERANCE ±0.05)

| NO. | DESCRIPTIONS | MATERIAL | FINISH | REMARKS |
|----------------------------|--------------|-----------------------------|--|---------------------|
| 10 | GASKET | SILICONE | Gray Color | - |
| 9 | POTTING | SILICONE | Black Color | - |
| 8 | UPPER SHELL | STAINLESS STEEL | Nickel plated | - |
| 7 | LOWER SHELL | STAINLESS STEEL | Nickel plated | - |
| 6 | MAIN SHELL | STAINLESS STEEL | Cleansing | - |
| 5 | HOLD PLATE | STAINLESS STEEL | Cleansing | - |
| 4 | CONTACT 2ND | CORSON ALLOY | Contact, Lead Area : Gold over Nickel plated | - |
| 3 | CONTACT 1ST | CORSON ALLOY | Non-Contact Area : Nickel plated | - |
| 2 | MID PLATE | STAINLESS STEEL | Nickel plated | - |
| 1 | INSERT MOLD | THERMO PLASTIC | Black Color | UL94V-0 |
| CODE NO. (OLD) | | | | RELEASED |
| DRAWN | | DESIGNED | CHECKED | APPROVED |
| Y.B.PARK 21.08.05 | | Y.B.PARK 21.08.05 | H.J.LEE 21.08.05 | H.J.LEE 21.08.05 |
| DRAWING NO. EDC3-633145-00 | | PART NO. CX90MW6-16P | | |
| SCALE 5:1 | | CODE NO. CL 6249-0002-9-000 | | 1/2 |
| UNITS mm | | HRS HIROSE KOREA CO.,LTD. | | |

- NOTE
- ① Co-Planarity : 0.08 Max. Before reflow
0.10 Max. After reflow
 - ② Pin Assignment
 - ③ Packing Quantity : 1,500 Pcs/Reel
 - 4. General Tolerance : ±0.2

May.1.2022 Copyright 2022 HIROSE ELECTRIC CO., LTD. All Rights Reserved.
In case of consideration for using Automotive equipment / device which demand high reliability, kindly contact our sales window correspondents.



| | | | | |
|----------------------------|--------------|----------------------|-----------------------------|---------|
| 13 | REEL BOBBIN | PS | - | - |
| 12 | COVER TAPE | PET | - | - |
| 11 | EMBOSS TAPE | PS | THERMO-COMPERSSION SEALING | - |
| NO. | DESCRIPTIONS | MATERIAL | FINISH | REMARKS |
| DRAWING NO. EDC3-633145-00 | | PART NO. CX90MW6-16P | | |
| SCALE 3:1 | UNITS mm | | CODE NO. CL 6249-0002-9-000 | 2/2 |
| HIROSE KOREA CO.,LTD. | | | | |

X-ON Electronics

Largest Supplier of Electrical and Electronic Components

Click to view similar products for [USB Connectors](#) category:

Click to view products by [Hirose](#) manufacturer:

Other Similar products are found below :

[950](#) [A-USB A-LP-SMT-C](#) [A-USB B-TOP-C](#) [MUSBA511N5](#) [MUSBD11135](#) [217450-1](#) [KMBVX-TH-5S-B30](#) [896-30-004-00-000000](#)
[KUSBX-AS2N-W](#) [KUSBX-SMT2AP1S-W30](#) [935](#) [957](#) [30-498-6](#) [SK-60A-2](#) [1734082-1](#) [CIR08AF-20-27S-F80-20](#) [CIR08F-20](#) [30-1574](#) [30-470](#) [30-489](#) [30-541](#) [30-572-3](#) [A-USB A-2P-C](#) [MIKROE-1451](#) [USBFTV2PEM2G](#) [USBFTVC6ZN](#) [USBFTVSCCG](#) [4689-1](#) [1-1734084-2](#)
[CIR08F-20-27P-F80-VO](#) [USBF21ZNSCC](#) [USBBFTV6ZC](#) [MUSBB151341](#) [10135326-001LF](#) [M9177/3-1](#) [USB-A-S-F-B-VT](#) [925](#) [4198](#) [690-024-633-031](#) [UB-20PMFP-LC7001](#) [USBFTVC6MRG](#) [UA-20BMFA-SL8001](#) [17-200011](#) [USBFTVC7ZC](#) [UB-20AFMM-LL7A01](#)
[USBFTVC2MN](#) [CAP-WCCMLPB1](#) [CAP-WCCMLPC1](#) [2041386-1](#) [2274475-3](#)